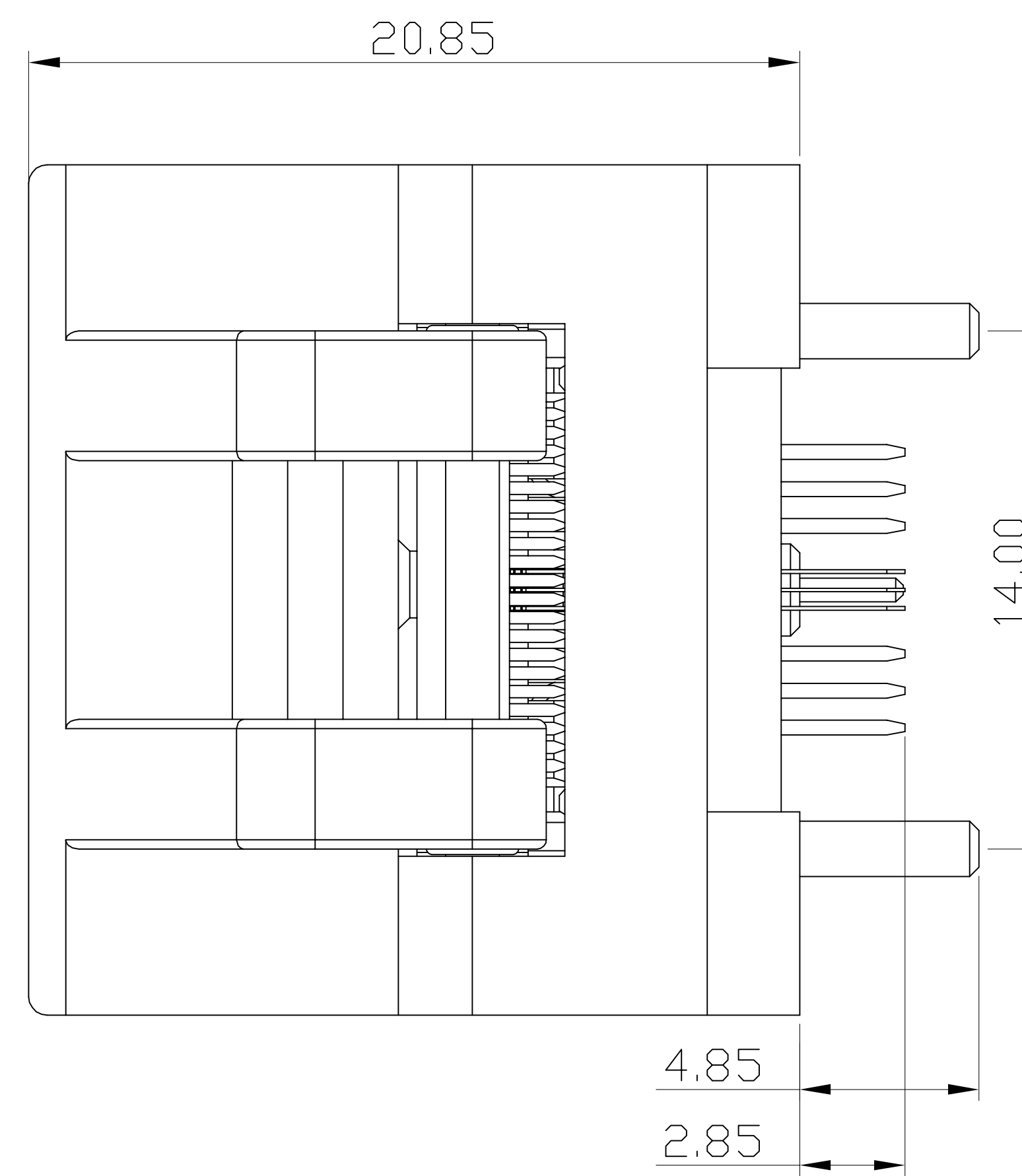
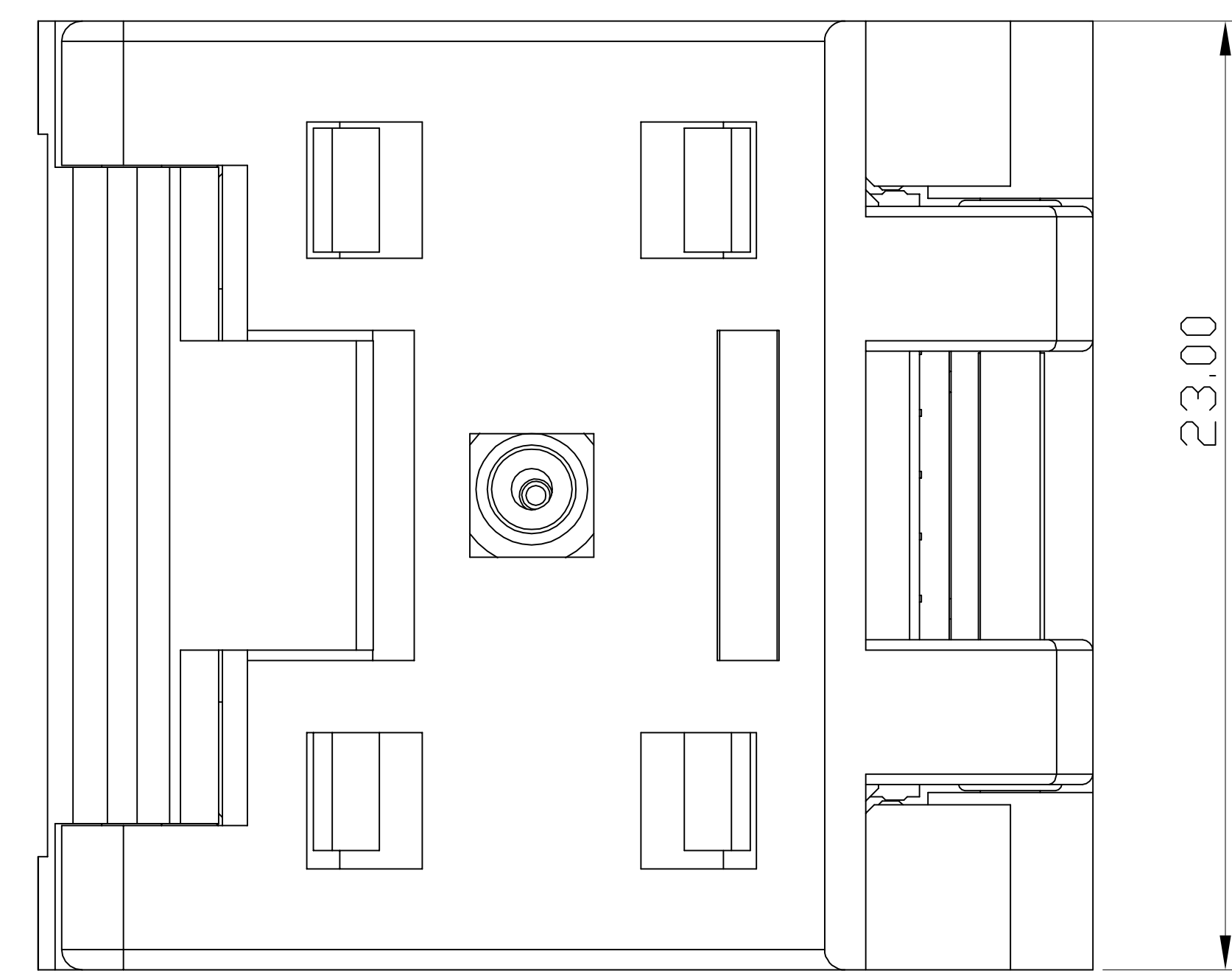
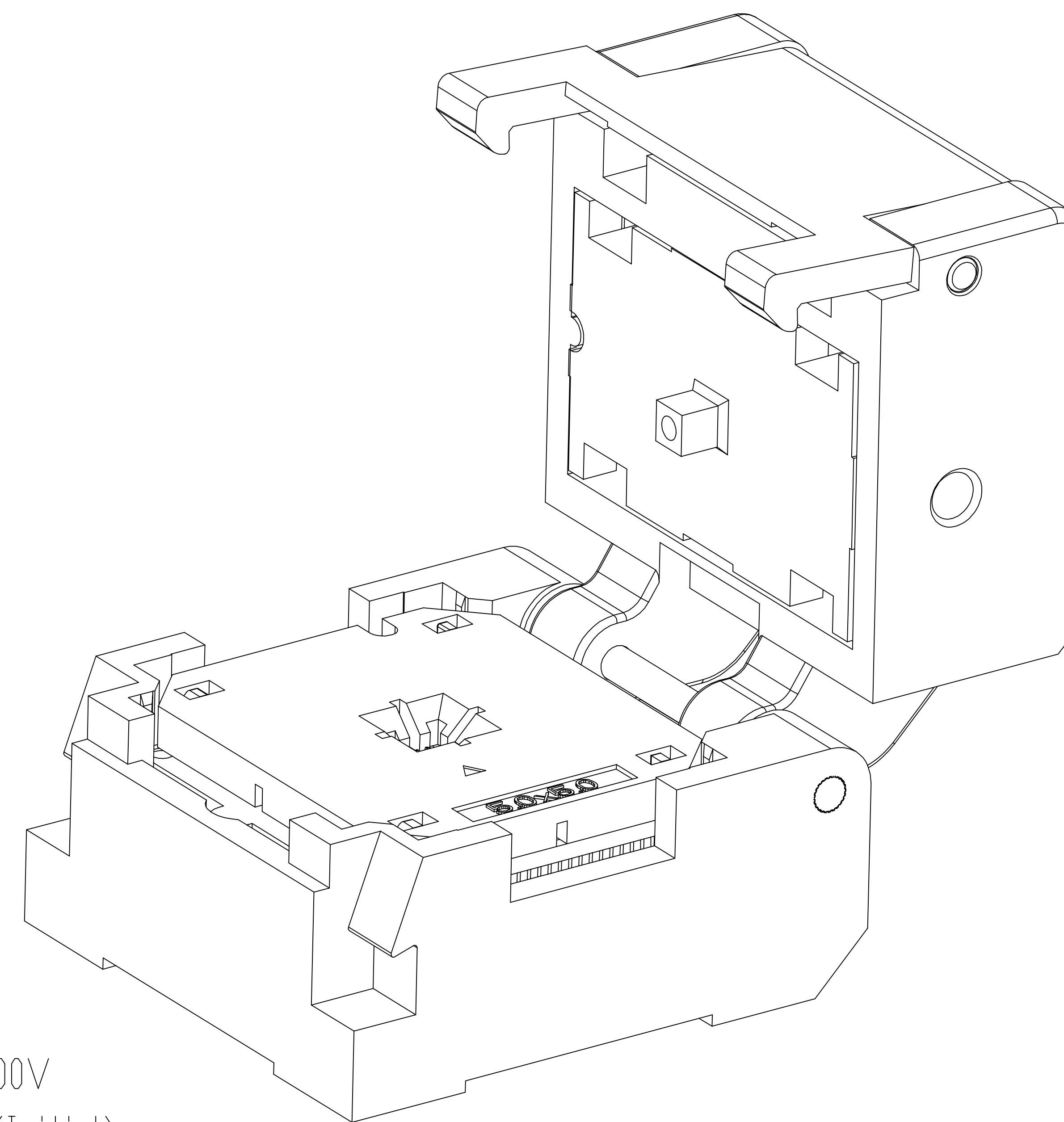
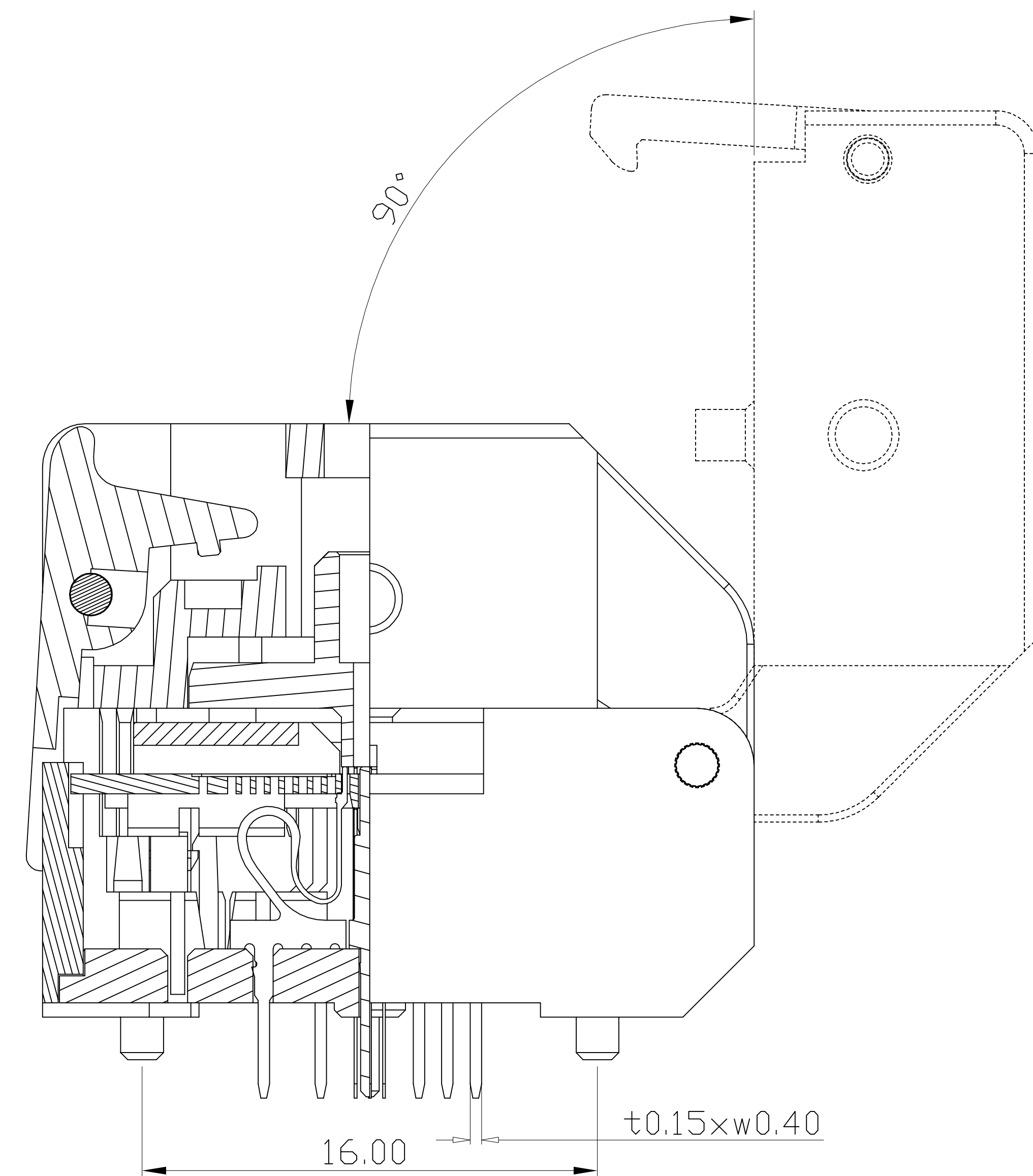
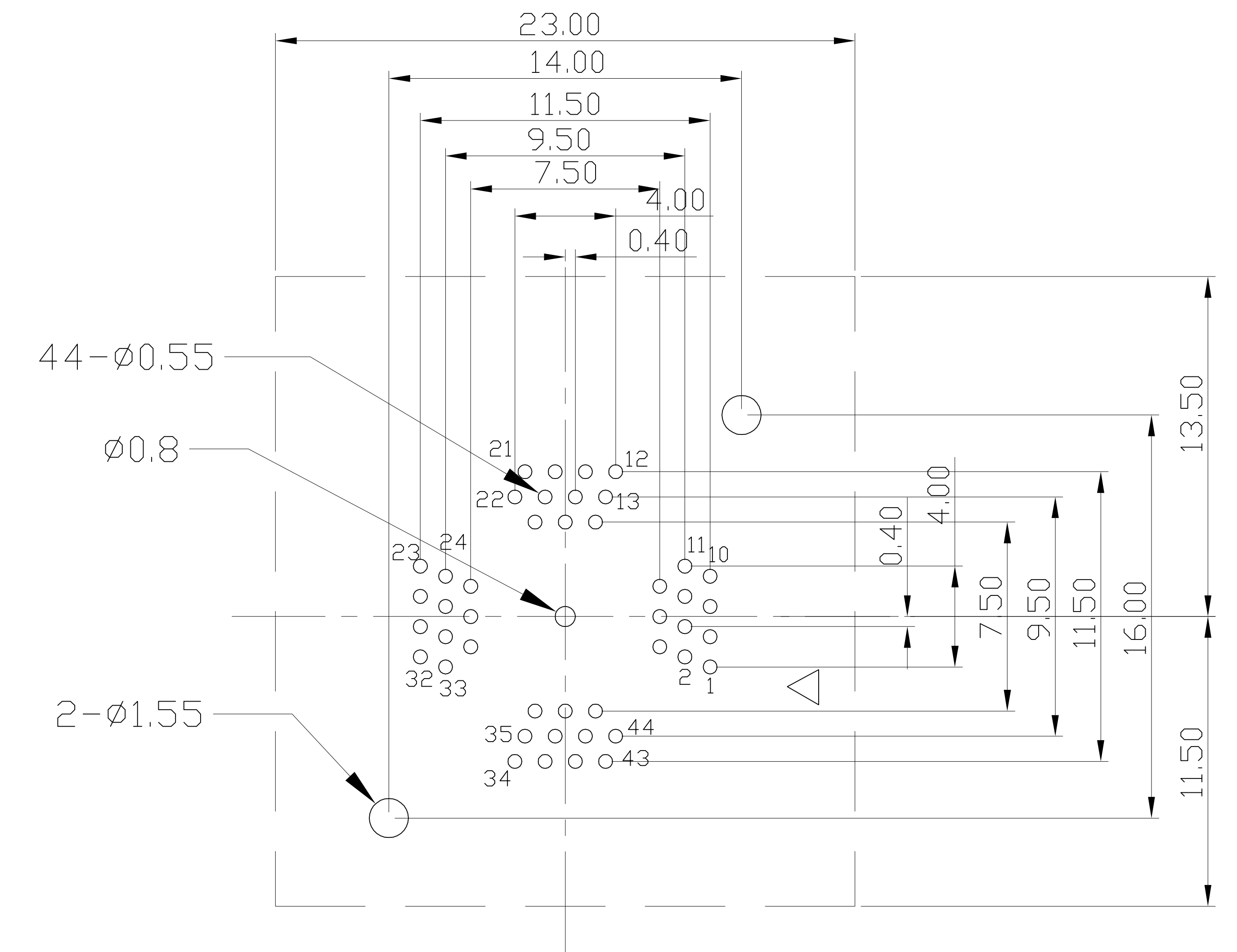


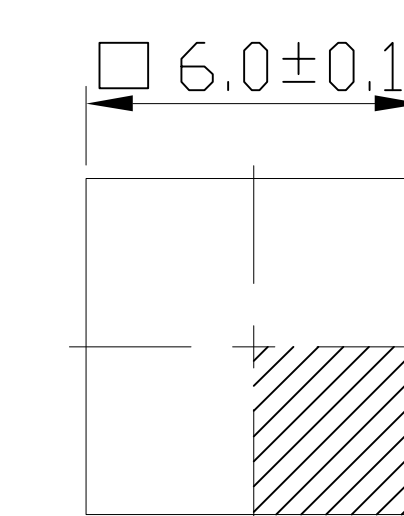
REVISION	DESCRIPTION	CHECK	APP	DATE	REV. NOTICE. NO
△ 1					
△ 2					
△ 3					



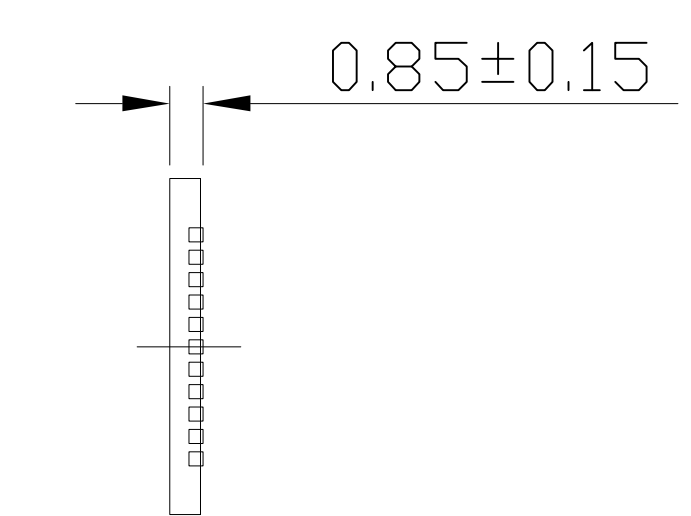
PCB Pattern(TOP View)



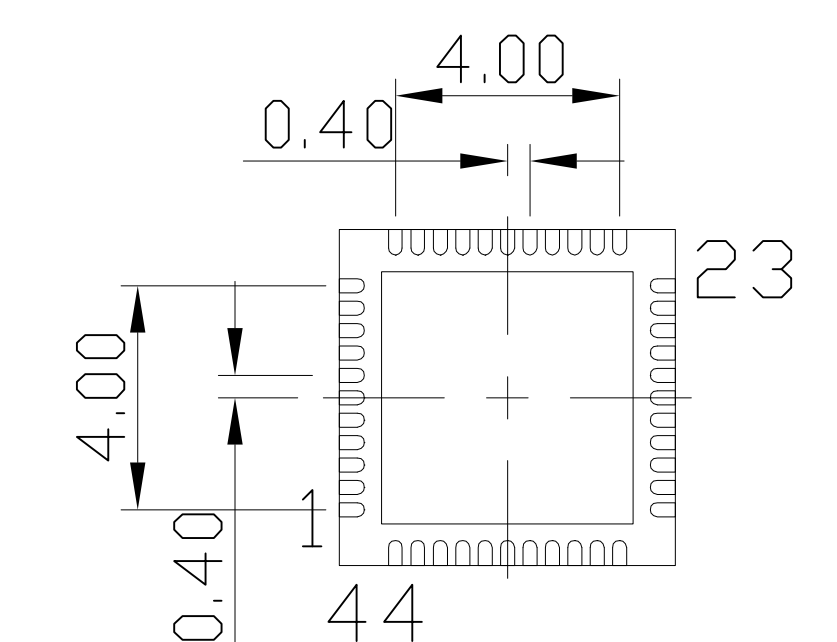
Applicable IC



TOP VIEW



SIDE VIEW



BOTTOM VIEW

PERFORMANCE

- 1、Insulation Resistance: 1000M $\Omega$  Min.At DC 500V
- 2、Dielectric Withstanding Voltage For 1 Minute At AC 700V
- 3、Contact Resistance 30m $\Omega$  MAX. at 10mA and 20mV MAX.(Initial)
- 4、Current Rating: 1A max.
- 5、Operation Temperature -55°C ~+175°C
- 6、Life Span 15,000 Times (Mechanical)
- 7、Operation Force 2.0 Kg MAX

TOLERANCE	PROJECTION	GENERAL TOLERANCES	±0.10	TITLE	QFN44-0.4 SOCKET
X. ± 0.50	DIMENSION:	mm	SCALE: 1:1	CLASS	QFN44 -0. 4-CP01GT
X. X ± 0.25	APP:		DATE:	DRW. NO	6U-PWQFN-0.4-44-6X6-01
X. XX ± 0.10	CHECK:		DATE:		
X. XXX ± 0.05	DEGK: ENG03		DATE: 20150606		