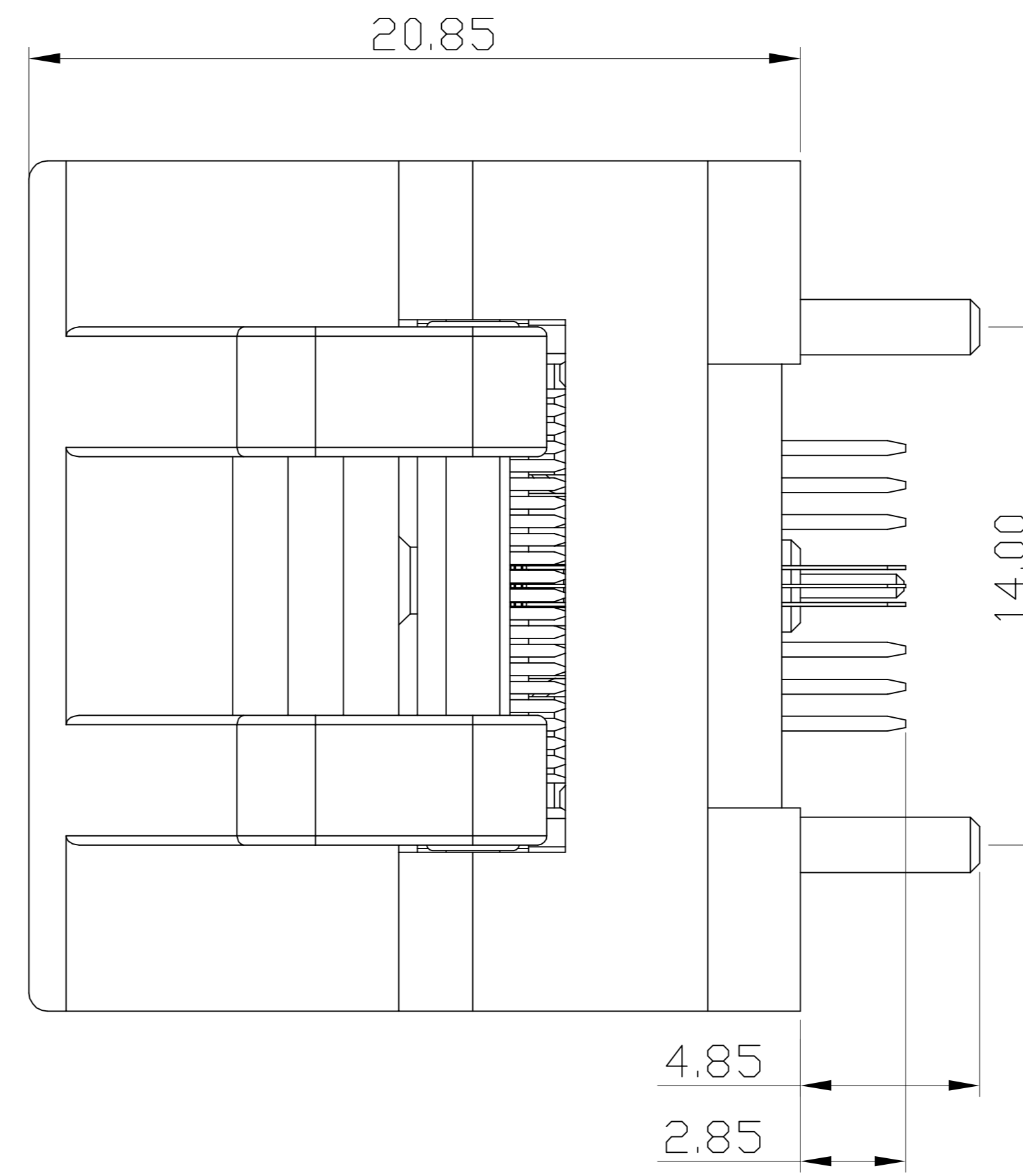
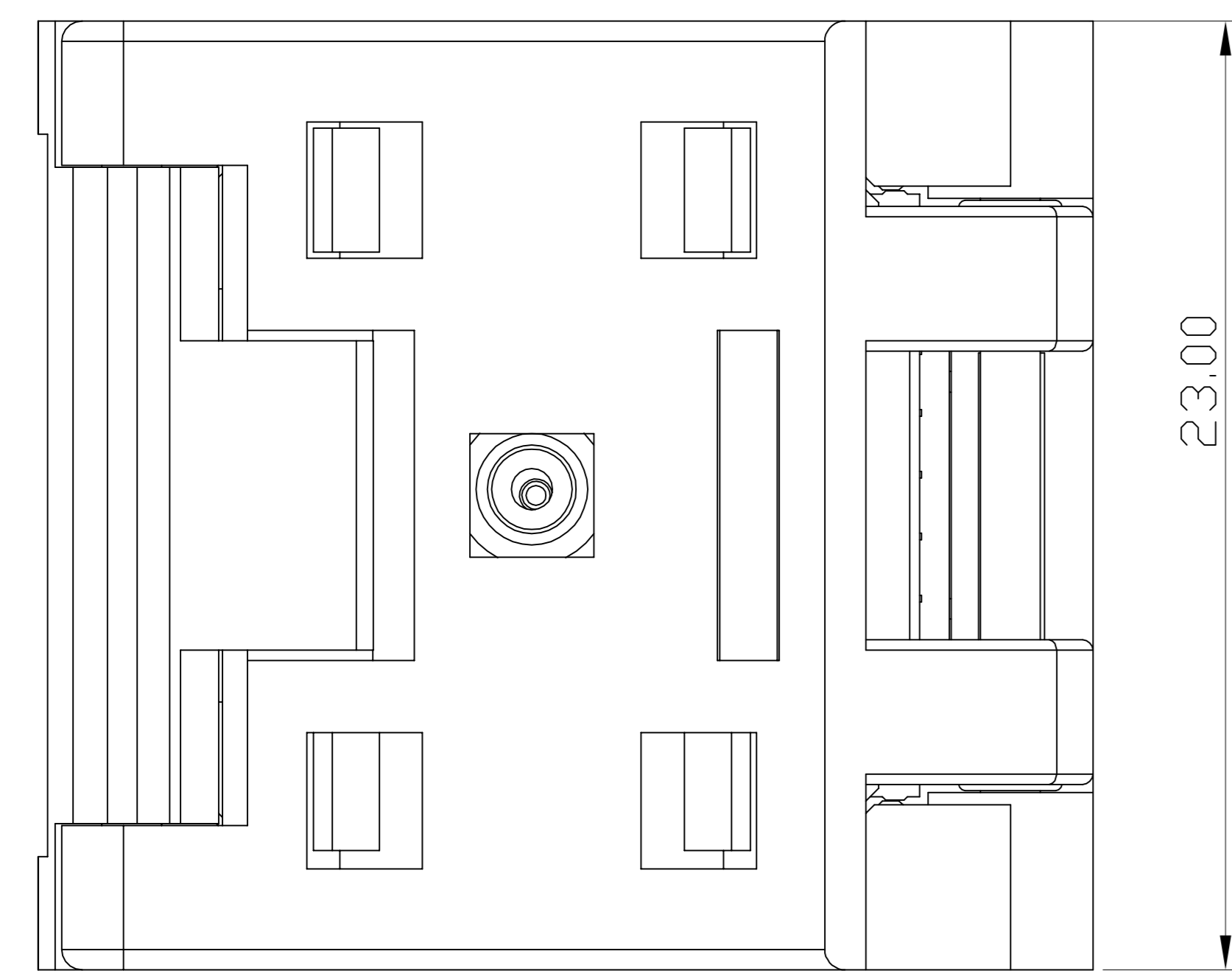
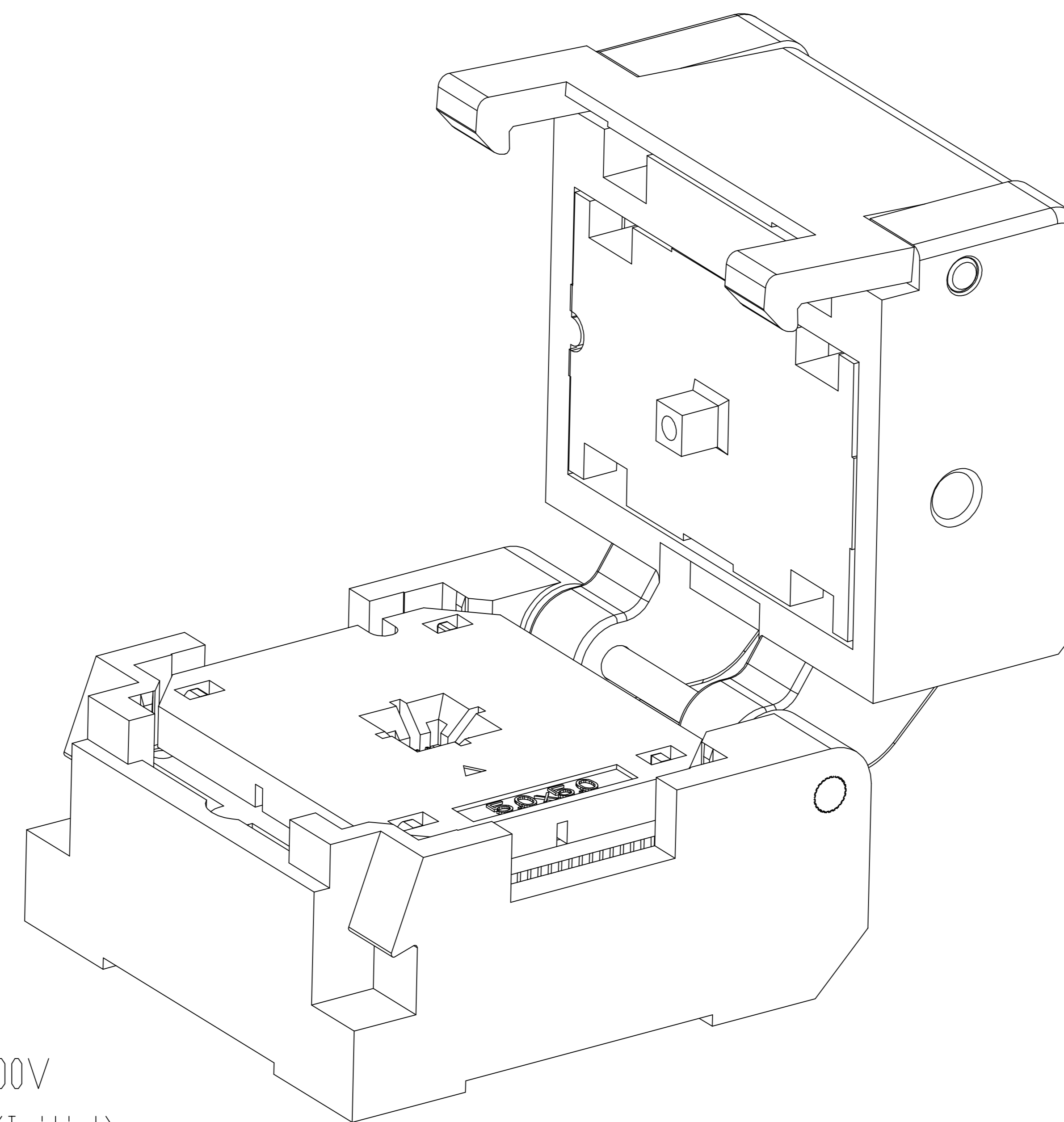
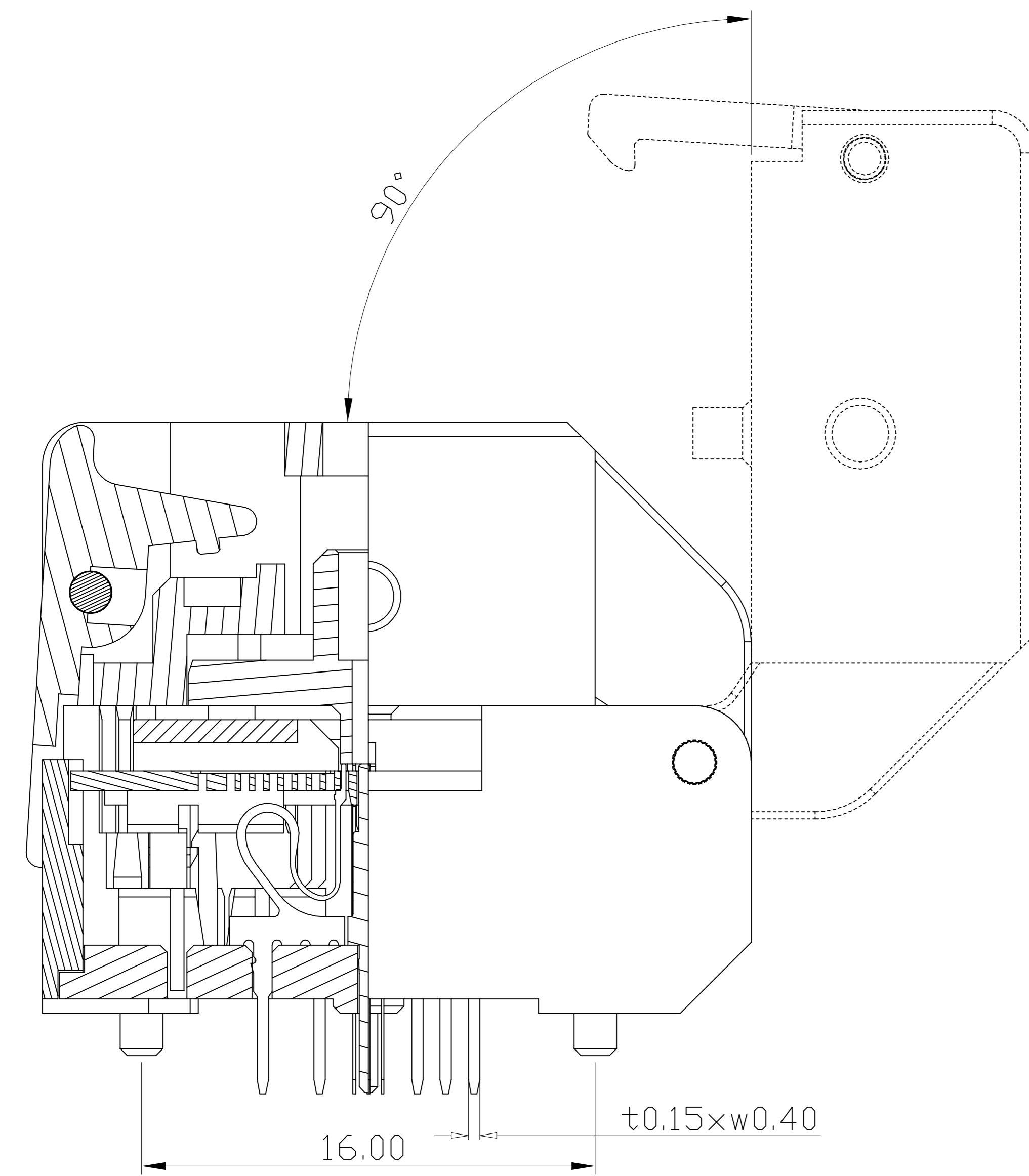
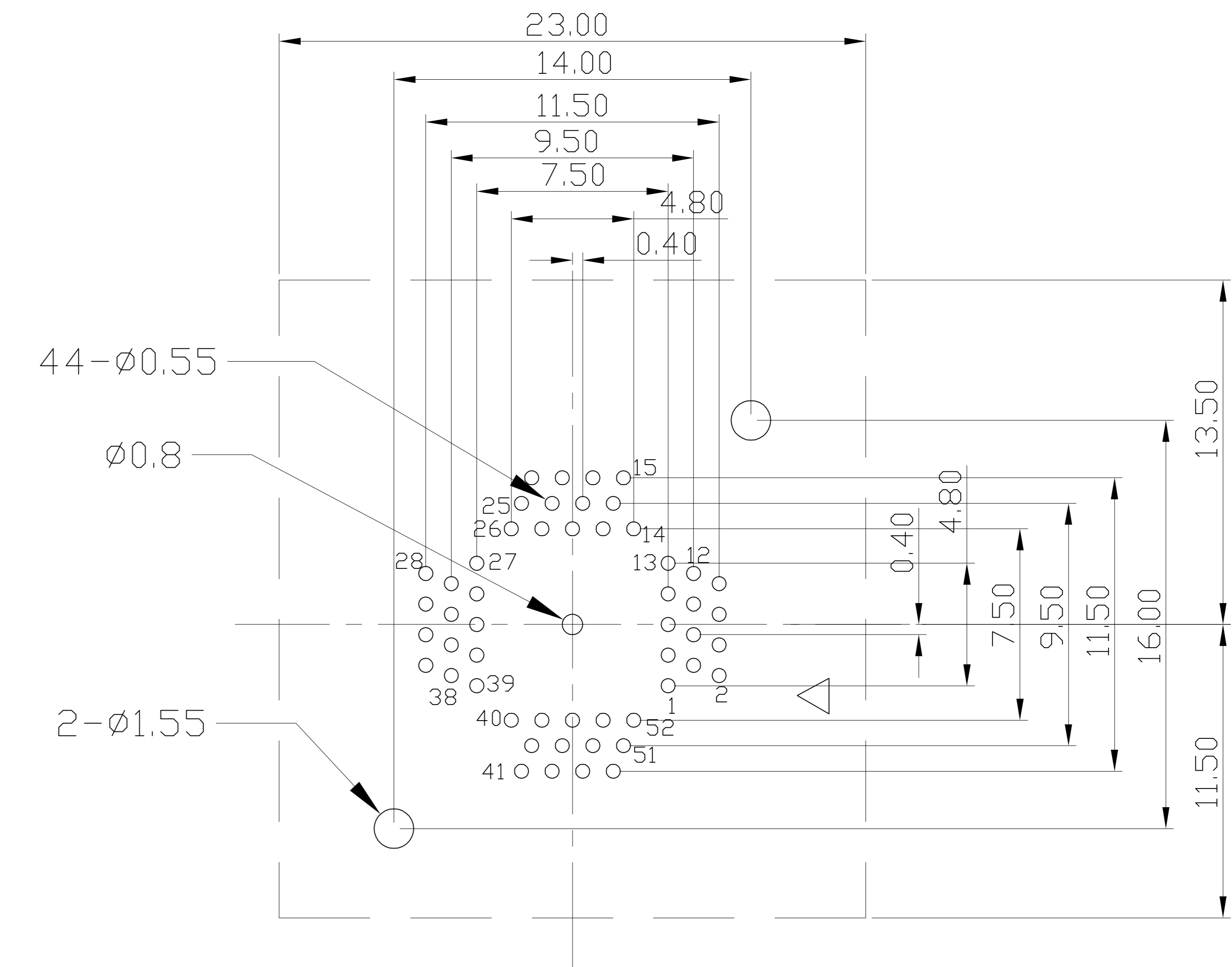


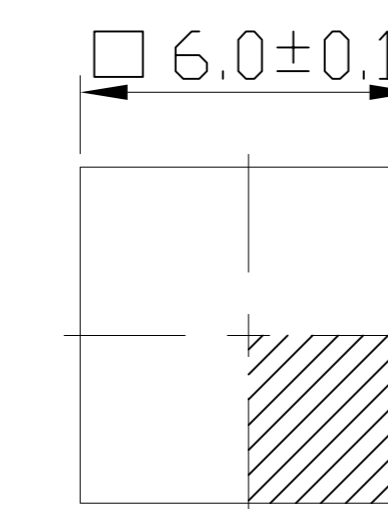
REVISION	DESCRIPTION	CHECK	APP	DATE	REV. NOTICE. NO
△1					
△2					
△3					



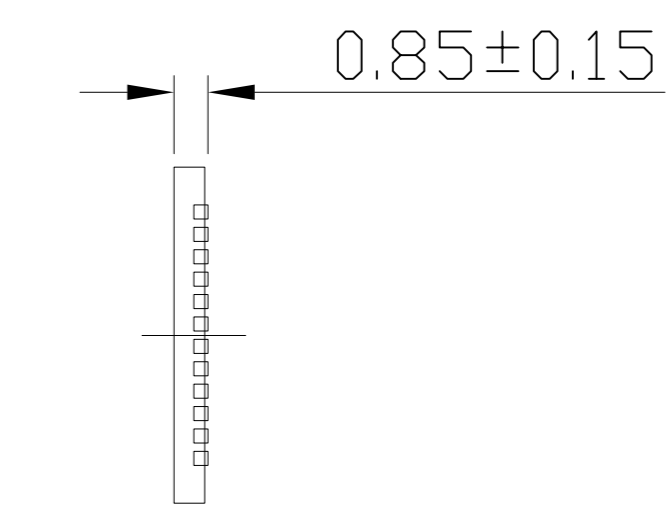
PCB Pattern(TOP View)



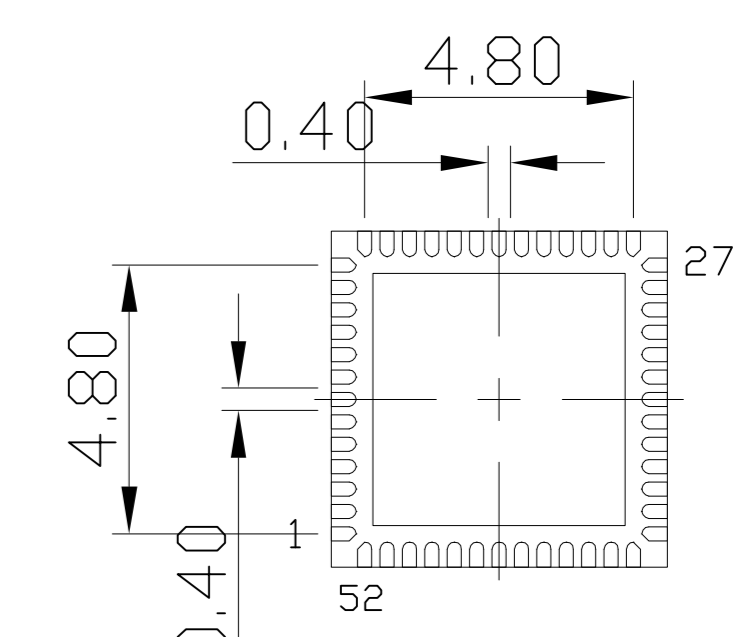
Applicable IC



TOP VIEW



SIDE VIEW



BOTTOM VIEW

PERFORMANCE

1. Insulation Resistance: 1000MΩ Min.At DC 500V
2. Dielectric Withstanding Voltage For 1 Minute At AC 700V
3. Contact Resistance 30mΩ MAX. at 10mA and 20mV MAX.(Initial)
4. Current Rating: 1A max.
5. Operation Temperature -55°C ~+175°C
6. Life Span 15,000 Times (Mechanical)
7. Operation Force 2.0 Kg MAX

TOLERANCE	PROJECTION	GENERAL TOLERANCES	±0.10	TITLE	QFN52-0.4 SOCKET
X. ±0.50	DIMENSION: mm	R E V	A	CLASS	QFN52-0.4-CP01GT
X.X ±0.25	APP:	SCALE: 1:1	DATE:	DRW. NO	6U-PWQFN-0.4-44-6X6-01
X.XX ±0.10	CHECK:	DATE:			
X.XXX ±0.05	DEGK: ENG03	DATE: 20150606			