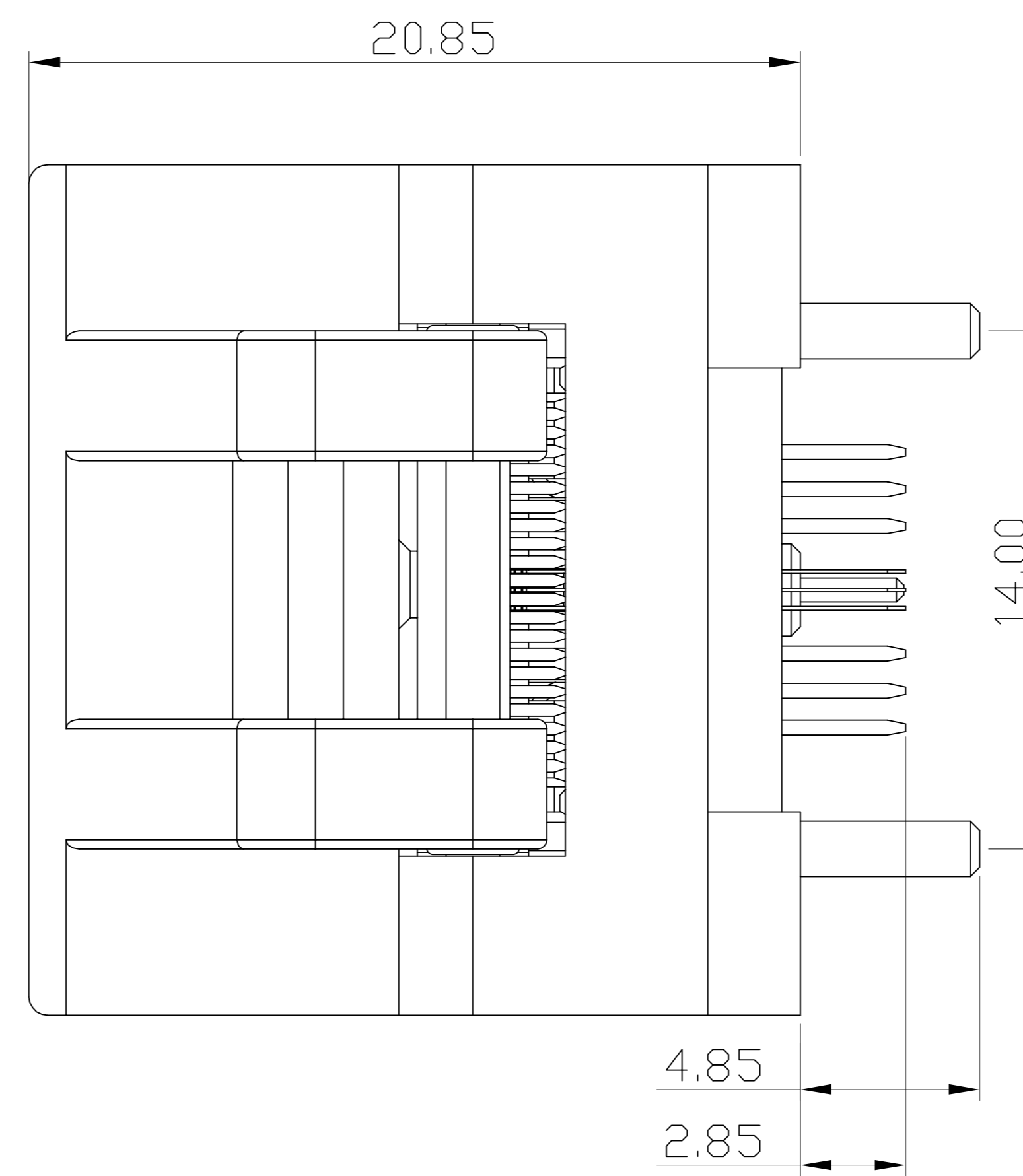
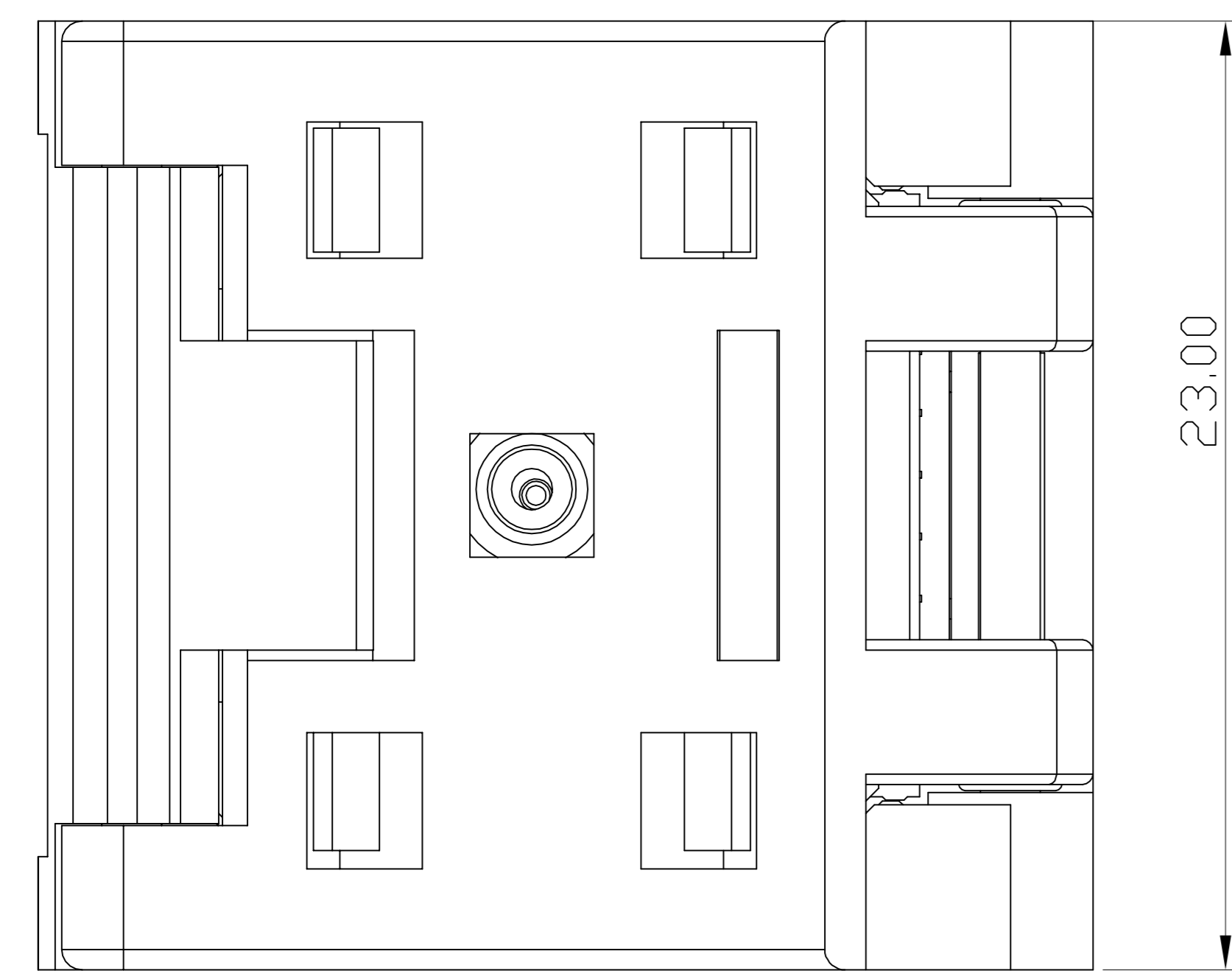
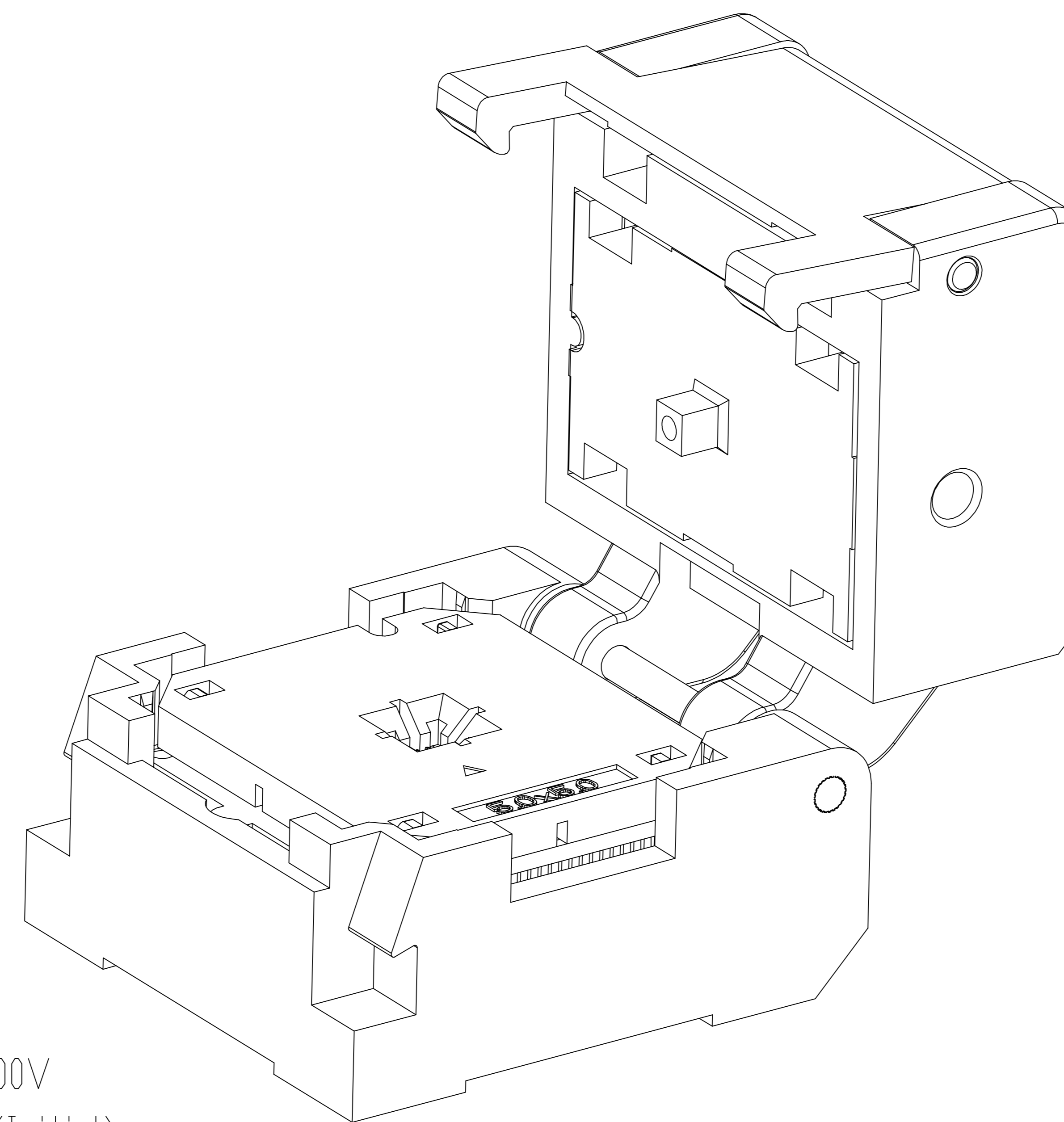
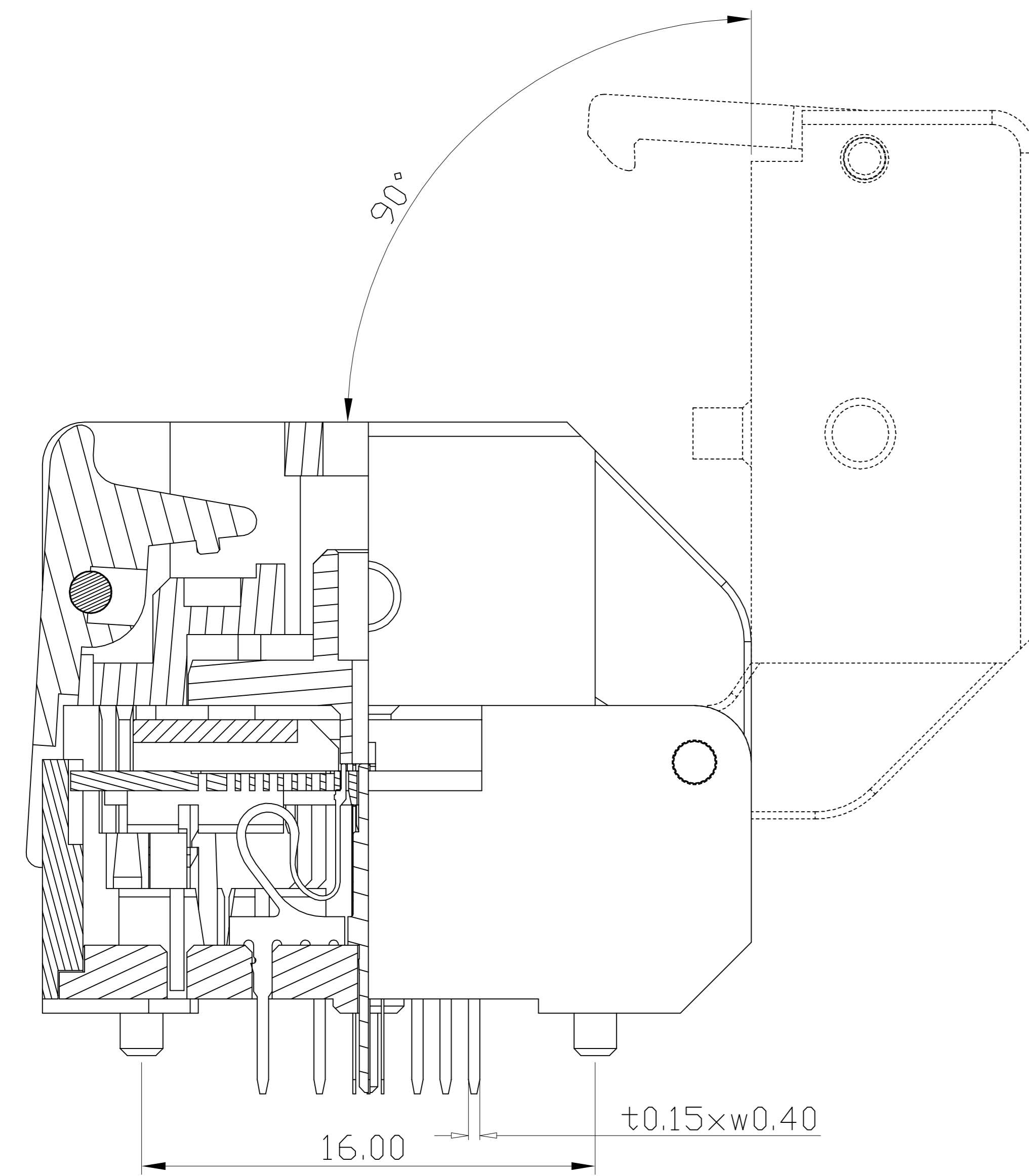
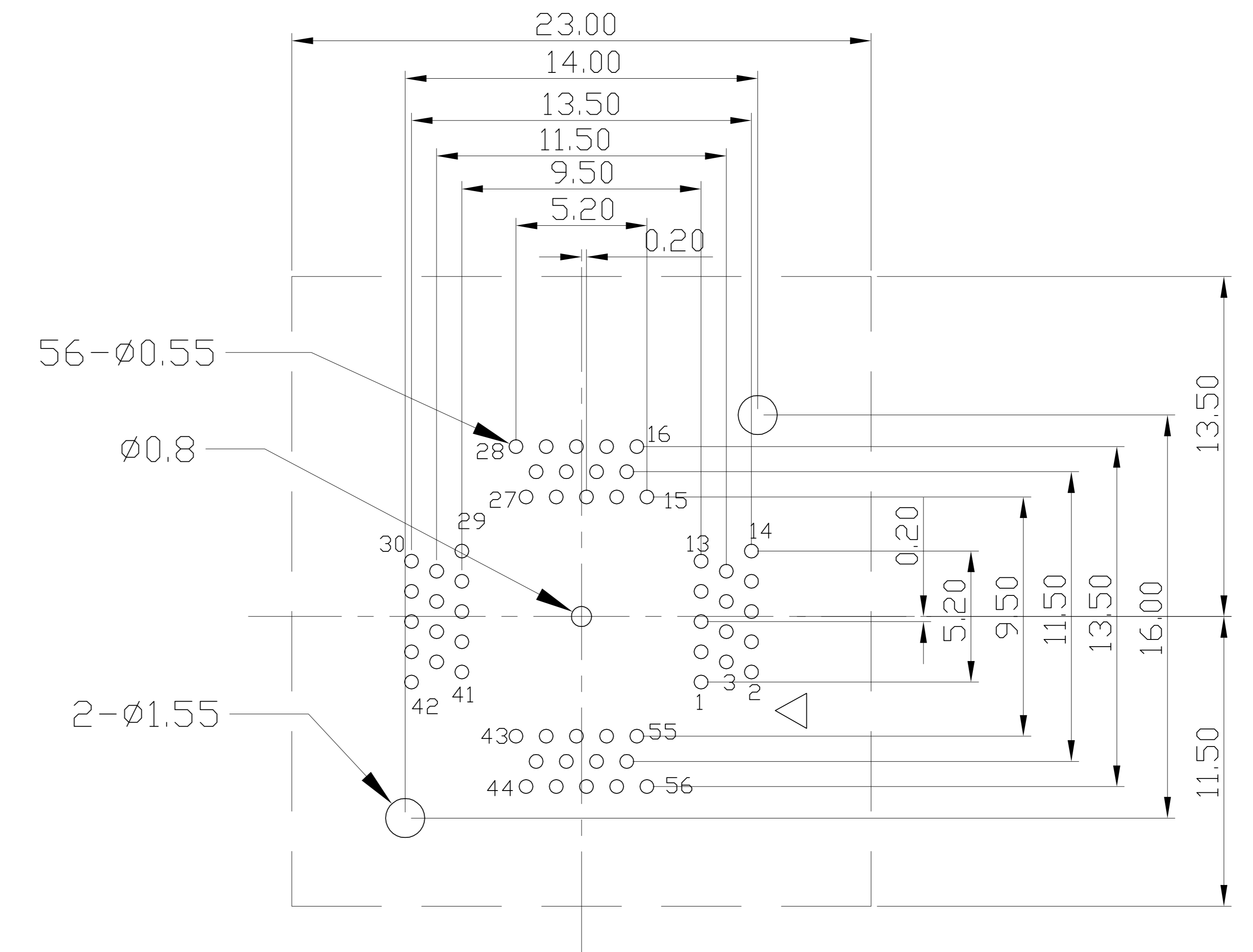


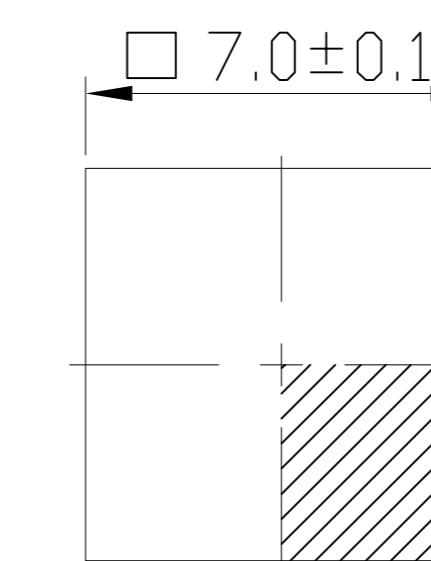
REVISION	DESCRIPTION	CHECK	APP	DATE	REV. NOTICE. NO
△ 1					
△ 2					
△ 3					



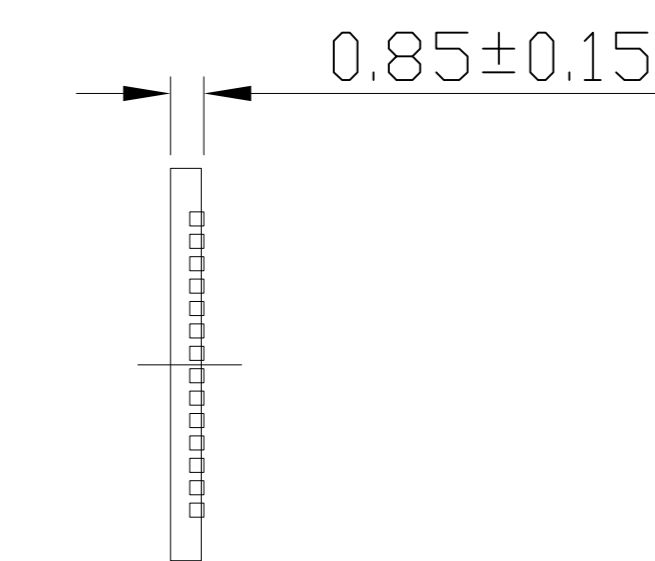
PCB Pattern(TOP View)



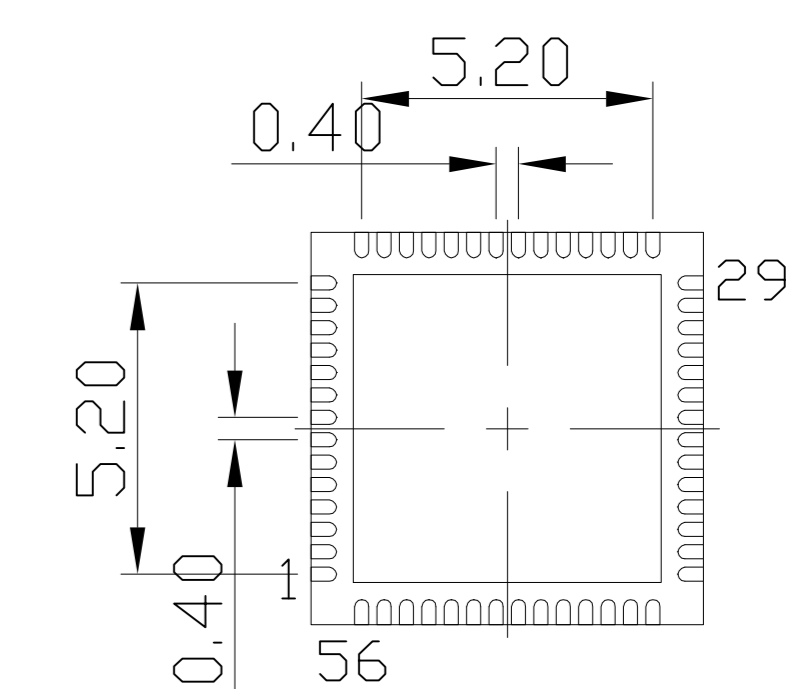
Applicable IC



TOP VIEW



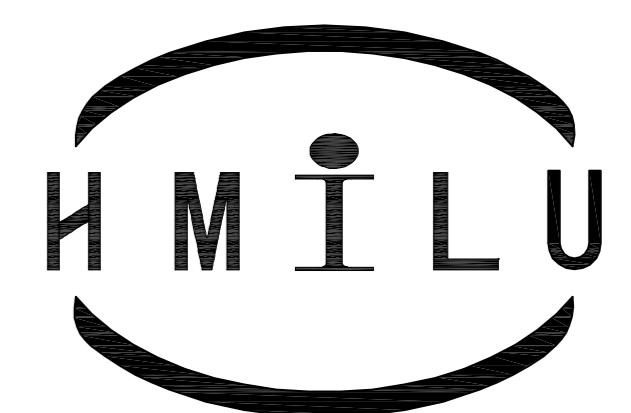
SIDE VIEW



BOTTOM VIEW

PERFORMANCE

1. Insulation Resistance: 1000MΩ Min.At DC 500V
2. Dielectric Withstanding Voltage For 1 Minute At AC 700V
3. Contact Resistance 30mΩ MAX. at 10mA and 20mV MAX.(Initial)
4. Current Rating: 1A max.
5. Operation Temperature -55°C ~+175°C
6. Life Span 15,000 Times (Mechanical)
7. Operation Force 2.0 Kg MAX

TOLERANCE	PROJECTION	GENERAL TOLERANCES	±0.10	TITLE	QFN56-0.4 SOCKET
X. ± 0.50	DIMENSION:	mm	SCALE: 1:1	CLASS	QFN56-0.4-CP01GT
X.X ± 0.25	APP:		DATE:	DRW. NO	6U-PWQFN-0.4-56-7X7-01
X.XX ± 0.10	CHECK:		DATE:		
X.XXX ± 0.05	DEGK: ENG03		DATE: 20150606		