

SR26 Series

Application

- ✓ TV/Video, Audio, Home appliance, Precision apparatus,
Automotive, Musical instruments, Industrial control, Others

Feature

- ✓ Up to 12 positions general use rotary switches with optional plastic shafts.



■Specification

Rating	125V AC 0.3A
Withstand Voltage	500V AC - 1 minute
Contact Resistance	50 mΩ Max.
Insulation Resistance	500V DC - 100MΩ Min.
Rotational Torque	0.5 ± 0.2 kgf.cm
Operating Life Cycle	10,000 cycles

■How to order

SR2612F – 0102 – 15F5B – D8 – S

[Model](#)

Number of Pole & Position
Ex. 0102 – 1 pole 2 positions
0402 – 4 poles 2 positions

[Shaft Type](#)

Timing

Order Code	Description
S	Shorting (make-before-break)
N	Non-shorting (break-before-make)


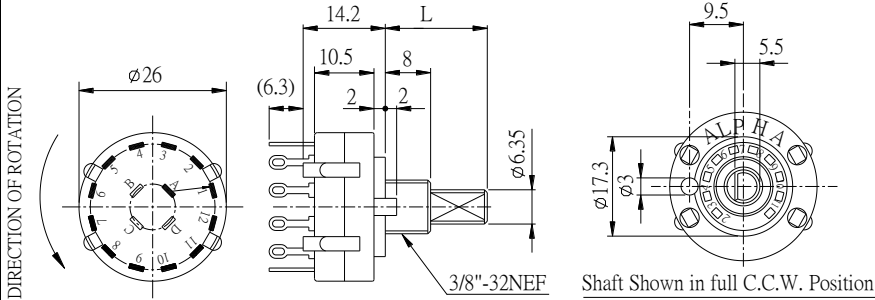

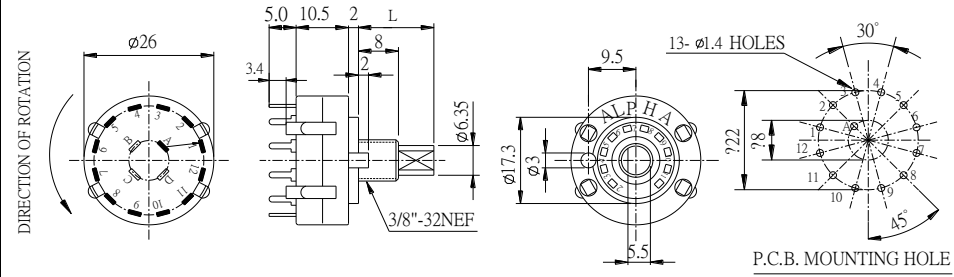

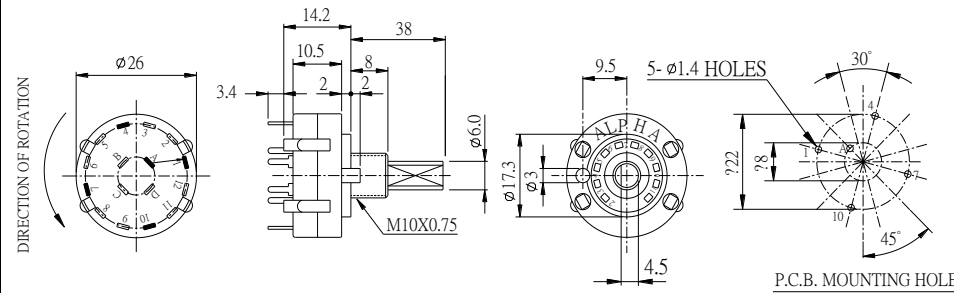
Bushing Type

Order Code	Bushing Length	Bushing Diameter
D1	8mm	M10*0.75
D8	8mm	3/8"- 32NEF

SR26 Series

Model Description

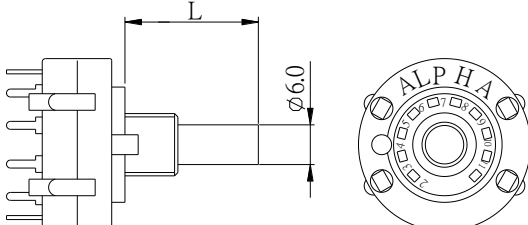
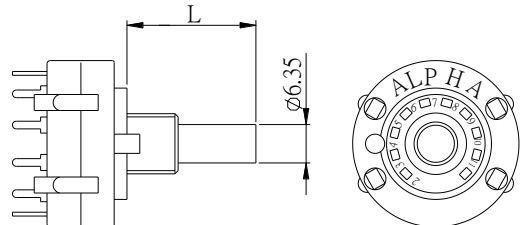
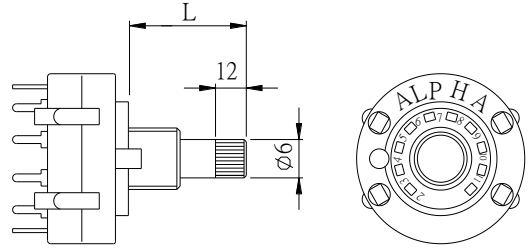
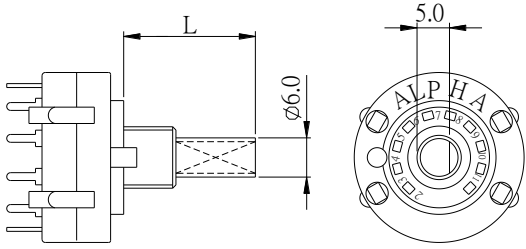
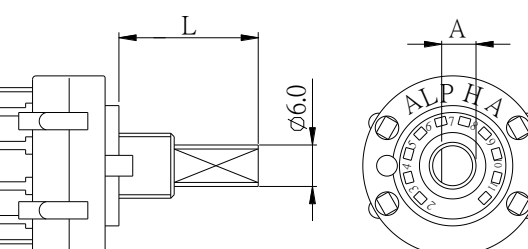
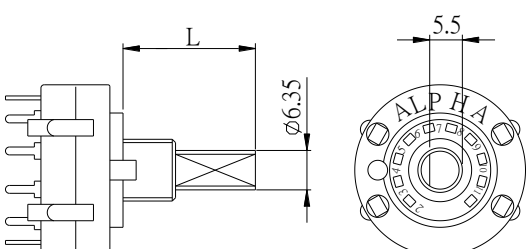
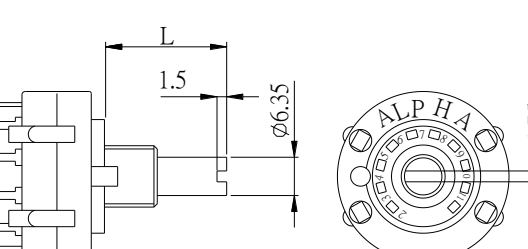
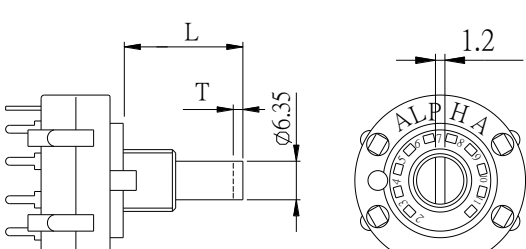
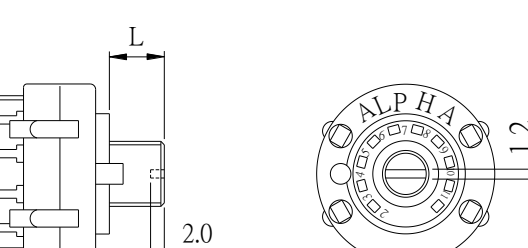
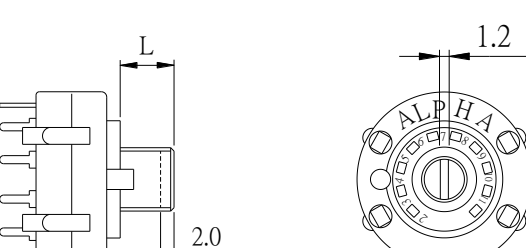
Model	Terminal Type	Pole	Position	Changeover Angle	Timing
SR2611F	Soldering	1	2~12	30°	Shorting/ Non-shorting
		2	2~6		
		3	2~4		
		4	2~3		
SR2612F	PCB	1	2~12		
		2	2~6		
		3	2~4		
SR2613F	PCB	1	2~4		

Order Code	Outline Drawing
SR2611F-□□-(L)F5B-D8-S 	 <p>Shaft Shown in full C.C.W. Position</p>
SR2612F-□□-(L)F5B-D8-S 	 <p>P.C.B. MOUNTING HOLE</p>
SR2613F-□□-(L)F5A-D1-N 	 <p>P.C.B. MOUNTING HOLE</p> <p>CHANGEOVER ANGLE=60° IS ALSO AVAILABLE UPON REQUEST</p>

[Back to top](#)

SR26 Series

■ Shaft Type

LROA		LROB	
	L		L
	15		15
	18		18
	38		38
LKOA		LF6A (270°)	
	L		L
	33.5		20
LF5A (90°)		LF5B (90°)	
	L		L
	A		15
	16		4.5
	17		5.0
	20		4.6
24	5.0		
24	4.6	29	38
LSOB		LS5B	
	L		L
	14.5		T
23	1.3		
8SOB		8S5B	
	L		L
	8		8

Design and specifications presented here are for the standard parts only. Please kindly contact us for your special requests and ask for the current technical specifications before purchase and/or use.

[Back to top](#)

Mouser Electronics

Authorized Distributor

Click to View Pricing, Inventory, Delivery & Lifecycle Information:

Alpha (Taiwan):

<u>SR2612F-0112-38F5B-D8-S</u>	<u>SR2611F-0112-38R0B-D8-N</u>	<u>SR2612F-0205-21R0B-D8-N</u>	<u>SR2611F-0205-21F5B-D8-N</u>
<u>SR2611F-0108-21R0B-D8-S</u>	<u>SR2611F-0205-38R0B-D8-N</u>	<u>SR2611F-0206-21R0B-D8-S</u>	<u>SR2612F-0107-18F5B-D8-S</u>
<u>SR2612F-0205-38R0B-D8-S</u>	<u>SR2611F-0107-18F5B-D8-N</u>	<u>SR2611F-0403-38R0B-D8-N</u>	<u>SR2611F-0205-18F5B-D8-N</u>
<u>SR2612F-0304-38F5B-D8-S</u>	<u>SR2612F-0403-21R0B-D8-N</u>	<u>SR2611F-0403-21R0B-D8-S</u>	<u>SR2613F-0104-18F5B-D8-N</u>
<u>SR2611F-0205-38F5B-D8-N</u>	<u>SR2611F-0107-21R0B-D8-S</u>	<u>SR2611F-0206-38R0B-D8-N</u>	<u>SR2611F-0108-38R0B-D8-N</u>
<u>SR2612F-0206-21R0B-D8-N</u>	<u>SR2612F-0108-21R0B-D8-N</u>	<u>SR2612F-0108-18F5B-D8-S</u>	<u>SR2611F-0304-21R0B-D8-S</u>
<u>SR2612F-0304-21R0B-D8-N</u>	<u>SR2612F-0403-38F5B-D8-S</u>	<u>SR2611F-0107-21F5B-D8-N</u>	<u>SR2612F-0107-21R0B-D8-N</u>
<u>SR2612F-0108-38R0B-D8-S</u>	<u>SR2611F-0108-38F5B-D8-N</u>	<u>SR2611F-0107-38R0B-D8-N</u>	<u>SR2612F-0112-21R0B-D8-N</u>
<u>SR2611F-0112-21R0B-D8-S</u>	<u>SR2613F-0103-18F5B-D8-N</u>	<u>SR2611F-0108-21F5B-D8-N</u>	<u>SR2612F-0206-38F5B-D8-S</u>
<u>SR2611F-0107-38F5B-D8-N</u>	<u>SR2613F-0102-18F5B-D8-N</u>	<u>SR2612F-0205-18F5B-D8-S</u>	<u>SR2612F-0107-38R0B-D8-S</u>
<u>SR2611F-0304-38R0B-D8-N</u>	<u>SR2611F-0205-21R0B-D8-S</u>	<u>SR2611F-0108-18F5B-D8-N</u>	<u>SR2612F-0112-18F5B-D8-N</u>