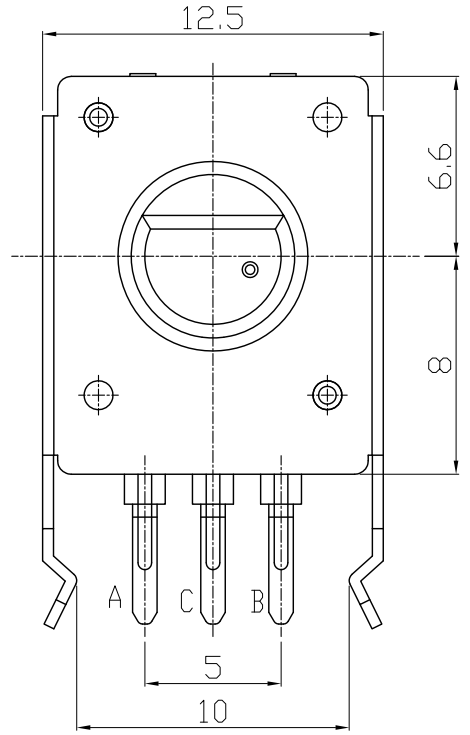
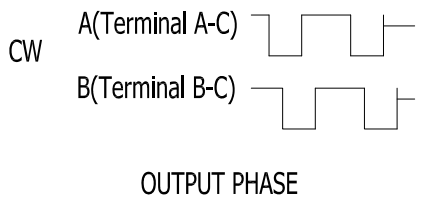
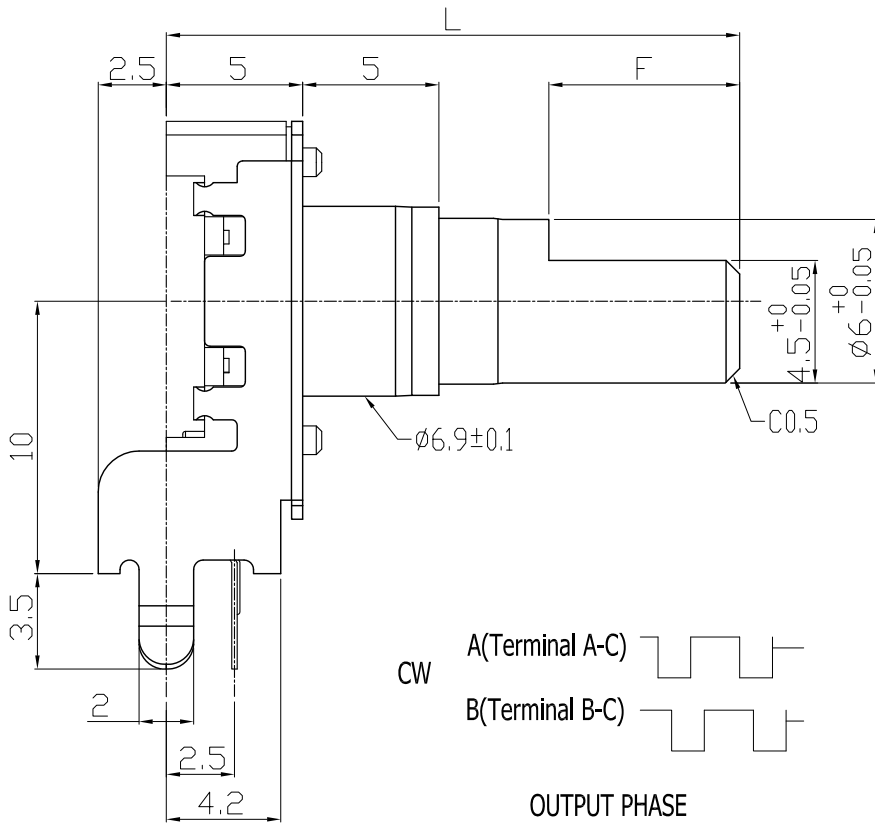
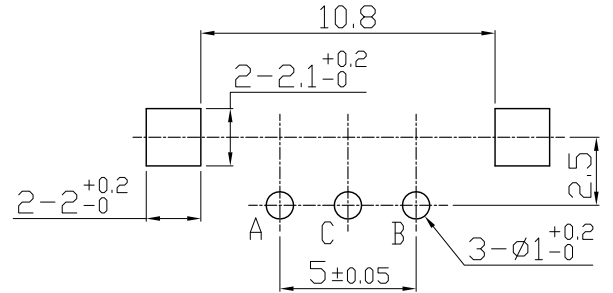


MODEL RE1200XH1-V02

| BASIC DIMENSIONS | L ≤ 10 | 10 < L | 100 ≤ L | ANGLE | UNIT |
|------------------|--------|--------|---------|-------|------|
| TOL. | ±0.3 | ±0.5 | ±0.8 | ±5° | mm |



| | | | | |
|---|----|------|----|----|
| L | 15 | 17.5 | 20 | 25 |
| F | 5 | 5 | 7 | 12 |



P.C.B.MOUNTING DETAIL