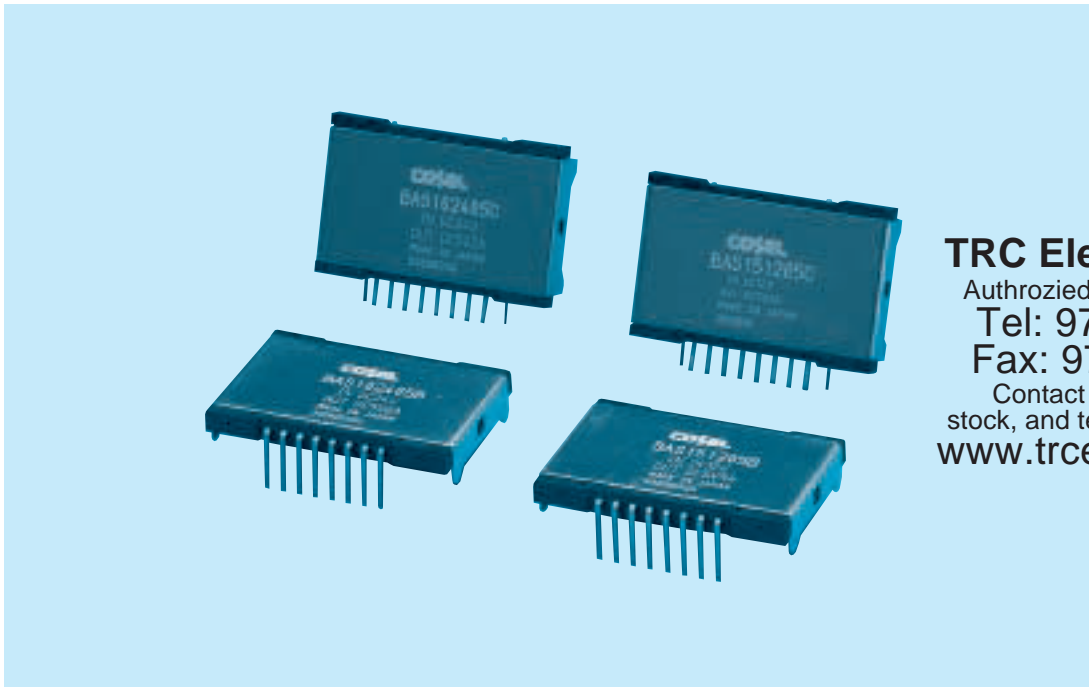


# BAS10, BAS15

**BA S 10 24 3R3 B**

1 2 3 4 5 6

- 1 Series name
- 2 Single output
- 3 Output wattage
- 4 Input voltage
- 5 Output voltage
- 6 Type
- B :DIP
- C :SIP



**TRC Electronics, Inc.**  
 Authorized Stocking Distributor  
 Tel: 973.779.8282  
 Fax: 973.779.1490  
 Contact TRC for pricing,  
 stock, and technical assistance.  
[www.trcelectronics.com](http://www.trcelectronics.com)

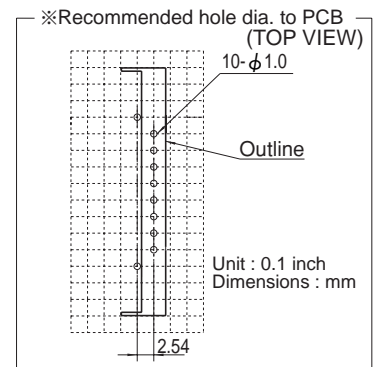
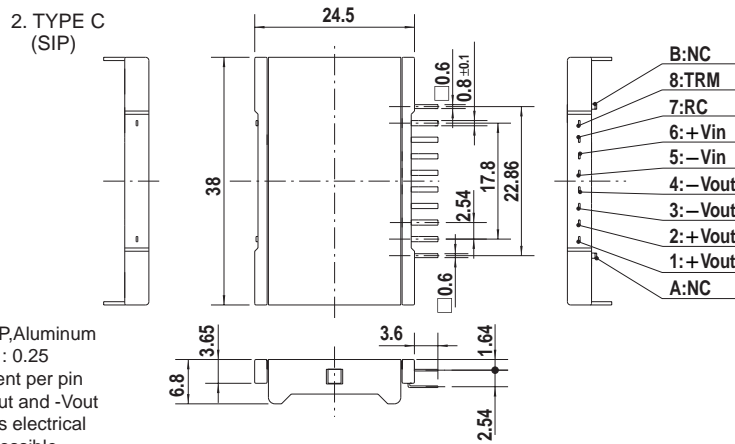
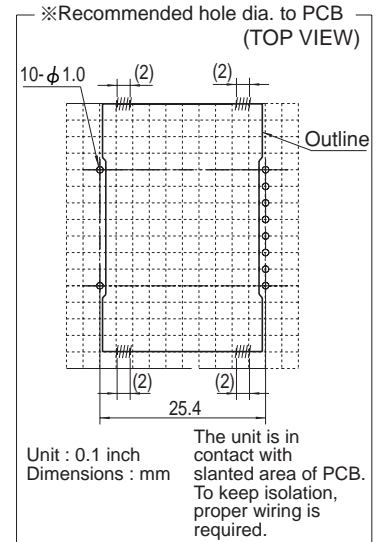
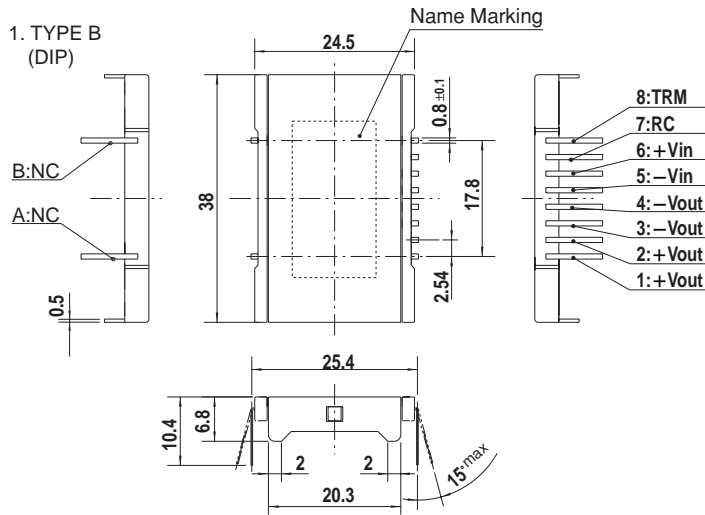
MODEL	BAS150503	BAS15123R3	BAS151205	BAS10243R3	BAS102405	BAS102412
MAX OUTPUT WATTAGE[W]	9	6.6	10	5.28	8	8.04
DC OUTPUT	3V 3A	3.3V 2(3)A	5V 2(3)A	3.3V 1.6(2)A	5V 1.6(2)A	12V 0.67(0.85)A

## SPECIFICATIONS

	MODEL	BAS150503	BAS15123R3	BAS151205	BAS10243R3	BAS102405	BAS102412	
INPUT	VOLTAGE[V]	4.75 - 5.5 * 6	8 - 18		18 - 36		20 - 36	
	CURRENT[A]	2.14typ	0.68(1.04)typ	0.96(1.47)typ	0.29(0.36)typ	0.42(0.52)typ	0.39(0.49)typ	
	EFFICIENCY[%]	84typ	81(79)typ	87(85)typ	76(76)typ	80(80)typ	86(87)typ	
OUTPUT	VOLTAGE[V]	3 * 4.6	3.3	5	3.3	5	12	
	CURRENT[A]	Convection	3 * 6	2	2	1.6	1.6	0.67
		Forced air	3 * 6	3	3	2	2	0.85
	LINE REGULATION[mV]	20max	20max	20max	20max	20max	48max	
	LOAD REGULATION[mV]	40max	40max	40max	40max	40max	100max	
	RIPPLE[mVp-p]	0 to +50C * 2	70max	150max	150max	150max	150max	250max
		-20 - 0C * 2	100max	200max	200max	200max	200max	250max
	RIPPLE NOISE[mVp-p]	0 to +50C * 2	100max	200max	200max	200max	200max	250max
		-20 - 0C * 2	150max	250max	250max	250max	250max	300max
	TEMPERATURE REGULATION[mV]	-20 to +40C	50max	50max	50max	50max	50max	120max
	DRIFT[mV]	* 3	20max	20max	20max	20max	20max	48max
	START-UP TIME[ms]		20max					
OUTPUT VOLTAGE ADJUSTMENT RANGE[V]		1.50 - 3.30 * 4.6	Fixed (TRM pin open)† 10% adjustable by external VR					
OUTPUT VOLTAGE SETTING[V]		* 4	3.20 - 3.46	4.85 - 5.25	3.20 - 3.46	4.85 - 5.25	11.40 - 12.60	
PROTECTION CIRCUIT	OVERCURRENT PROTECTION	Works over 105% of rating and recovers automatically						
ISOLATION	PIN-HEATSINK	AC50V 1minute, Cutoff current = 10mA (At Room Temperature)						
ENVIRONMENT	OPERATING TEMP., HUMID. AND ALTITUDE	-20 to +71C, 20 - 95%RH (Non condensing) (Refer to DERATING CURVE), 3,000m (10,000feet) max						
	STORAGE TEMP., HUMID. AND ALTITUDE	-40 to +85C, 20 - 95%RH (Non condensing), 9,000m (30,000feet) max						
	VIBRATION	10 - 55Hz, 98.0m/s <sup>2</sup> 3minutes period, 60minutes each along X, Y and Z axis						
	IMPACT	490.3m/s <sup>2</sup> 11ms, once each X, Y and Z axis						
OTHERS	DIMENSION/WEIGHT	38X7X24.5mm (DIP), 38X24.5X7mm (SIP) (W X H X D) / 8.5g max						
	COOLING METHOD	Convection/Forced air						

\* 1 At rated input and rated load. Inside the ( ) shows a value at forced air.  
 \* 2 Measured by 20MHz oscilloscope or Ripple-Noise meter (Equiva lent to KEISOKU-GIKEN :  
 \* 3 Drift is the change in DC output for an eight hour period at ter a half-hour warm-up at tput.  
 \* 4 It is necessary to install the external resistor to set the matters.  
 \* 5 It is necessary to install the external capacitor between +V output and -Vout to stabilize the output  
 \* 6 When the output voltage exceeds 3.0V, the range of use chang es. Refer to instruction manual 10.3.

External view



- ※ Dimensions in mm
- ※ Tolerance ±0.5
- ※ Mass : 8.5g less
- ※ Case material : LCP, Aluminum
- ※ Terminal thickness : 0.25
- ※ Keep drawing current per pin below 1.5A of +Vout and -Vout
- ※ Terminal NC means electrical connection is not possible.