

Data Sheet

BIT3251

Low Cost PWM Controller

Version: A0

Please read the notice stated in this preamble carefully before accessing any contents of the document attached. Admission of BiTEK's statement therein is presumed once the document is released to the receiver.

碩頡科技 **BiTEK**

管 May 16, 2007 制

DCC CONTROLLED

Notice:

Firstly, the information furnished by Beyond Innovation Technology Co. Ltd. (BiTEK) in this document is believed to be accurate and reliable and subject to BiTEK's amendment without prior notice. And the aforesaid information does not form any part or parts of any quotation or contract between BiTEK and the information receiver.

Further, no responsibility is assumed for the usage of the aforesaid information. BiTEK makes no representation that the interconnect of its circuits as described herein will not infringe on exiting or future patent rights, nor do the descriptions contained herein imply the granting of licenses to make, use or sell equipment constructed in accordance therewith.

Besides, the product in this document is not designed for use in life support appliances, devices, or systems where malfunction of this product can reasonably be expected to result in personal injury. BiTEK customers' using or selling this product for use in such applications shall do so at their own risk and agree to fully indemnify BiTEK for any damage resulting from such improper use or sale.

At last, the information furnished in this document is the property of BiTEK and shall be treated as highly confidentiality; any kind of distribution, disclosure, copying, transformation or use of whole or parts of this document without duly authorization from BiTEK by prior written consent is strictly prohibited. The receiver shall fully compensate BiTEK without any reservation for any losses thereof due to its violation of BiTEK's confidential request. The receiver is deemed to agree on BiTEK's confidential request therein suppose that said receiver receives this document without making any expressly opposition. In the condition that aforesaid opposition is made, the receiver shall return this document to BiTEK immediately without any delay. -Version A4

BiTEK Confidential

碩頡科技 **BiTEK**

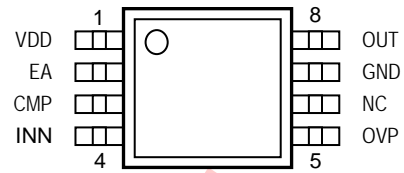
管 May 16, 2007 制

DCC CONTROLLED

Features:

- Voltage Mode PWM Controller
- Low 0.2V reference Voltage
- 330KHz Operation
- Over Voltage Protection
- Internal Soft-Start
- Internal UVLO (Under Voltage Lock Out)
- Limited Output Duty Cycle
- Low Shutdown current (0.1uA)
- CMOS Totem Pole Output
- SOP-8 Package

Pin Layout:



Absolute Ratings: (if $T_a=25^{\circ}C$)

VDD.....	-0.3 ~ +8 V
GND.....	± 0.3 V
Input Voltage.....	-0.3 ~ VDD+0.3 V
Operating Ambient Temperature.....	0 ~ 70 °C
Extreme Operating Ambient Temp.....	-40 ~ 85 °C ***
Operating Junction Temperature.....	+150 °C
Storage Temperature.....	-55~ 150 °C

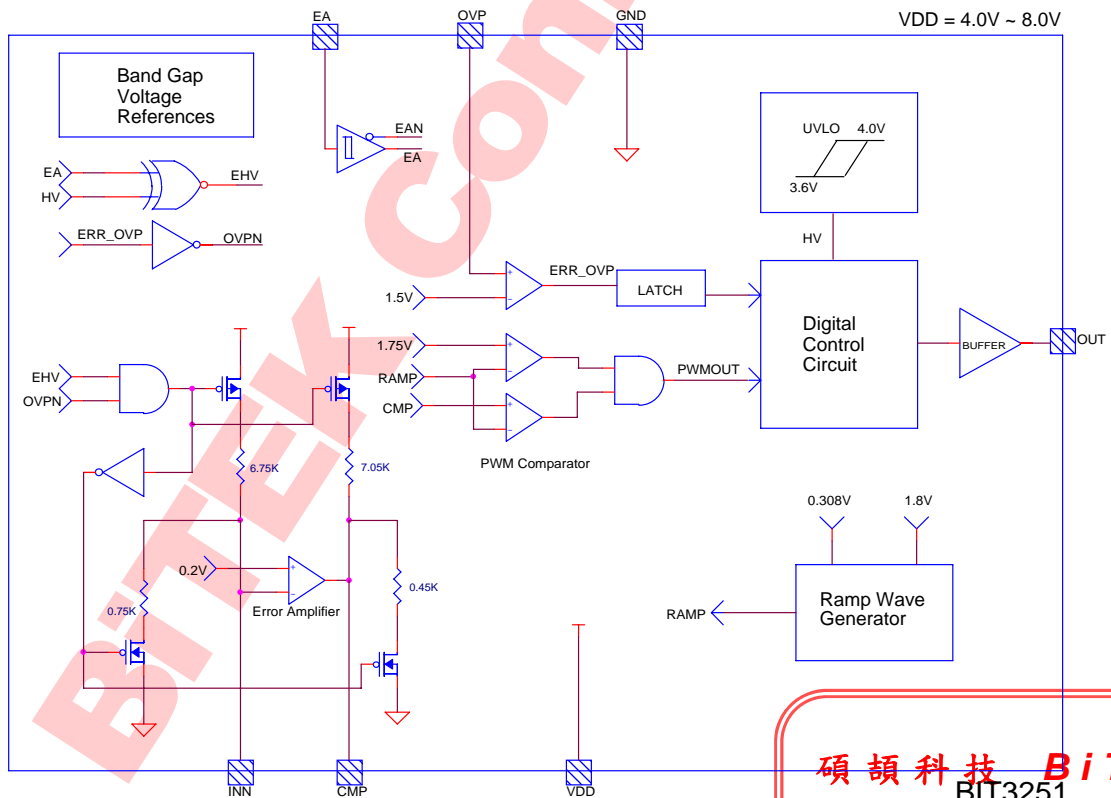
General Description:

The BIT3251 is a high frequency PWM controller integrates required functions for boost conversion in a small SOP-8 package. A low 0.2V feedback voltage and over voltage protection make the BIT3251 be an ideal controller for LED backlight supplies. CMOS process greatly reduces the operating current when comparing to similar products.

Recommended Operating Condition:

Supply Voltage.....	4~ 8 V
Operating Frequency.....	330KHz
Operating Ambient Temperature.....	0 ~ 70 °C

Functional Block Diagram:



碩韻科技 **BiTEK**
 BIT3251
 管 May 16, 2007 制
DCC CONTROLLED

*** For Extreme Operating Ambient Temperature, the supply voltage should be limited. The recommended voltage range is from 4.5V to 7.5V.

Pin Description:

Pin No.	Names	Description
1	VDD	Supply voltage input.
2	EA	Enable Control Pin
3	CMP	The output of the error amplifier. CMP is force to low when VDD < 3.6V.
4	INN	PWM controller input, the inverting input of error amplifier. INN is pulled high to reduce the CMP when VDD < 3.6V
5	OVP	Over Voltage detection pin
6	NC	No Connection
7	GND	Ground
8	OUT	Output pin

Function Description:

The PWM Controller: The pulse width modulation control circuit includes a ramp wave generator, an error amplifier and a comparator. These devices provide the required active components for the PWM feedback control application. The inverting input of the error amplifier is pulled high to reduce its output CMP when VDD<3.6V. The maximum duty cycle of the PWM controller is limited to 93%

The Over Voltage Protection: The converter output voltage will boost too high when the LEDs are disconnected from the circuit or fail open. The BIT3251 will latch off the output if the OVP pin senses a voltage that is larger than 1.5V. The latched off status can be reset by reducing the supply voltage to lower than 3.6V.

UVLO: The Under-Voltage-Lock-Out circuit turns the output driver off when supplying voltage drops to less than 3.6V

Enable Control: When V(EA) is ≥ 1.2V, the BIT3251 is enabled. When V(EA) is ≤ 0.8V, the BIT3251 enter into shutdown mode operation. The BIT3251 has an internal 80K±15% ohm pull low resistor on the EA pin, thus the device is normally in the OFF state or shutdown mode operation.

Initial Setting: System will have a fast transition response by setting a suitably initial voltage. The BIT3251 will set an initial voltage of V_{inn} and V_{cmp} under below conditions.

Table 1. Initial setting Voltage

Voltage Setting(@5V)	V _{EA}	VDD	V _{OVP}
V _{INN} =0.68V, V _{CMP} =0.53V	V _{EA} > 1.2V	VDD < 3.6V	V _{OVP} < 1.5V
V _{INN} =0.68V, V _{CMP} =0.53V	V _{EA} < 0.8V	VDD > 4.0V	V _{OVP} < 1.5V
V _{INN} =0.68V, V _{CMP} =0.53V	V _{EA} > 1.2V	VDD > 4.0V	V _{OVP} > 1.5V

Setting Equation :

$$V_{INN} = 0.68V + 0.12V * (VDD - 5) \tag{1}$$

$$V_{CMP} = 0.53V + 0.08V * (VDD - 5) \tag{2}$$

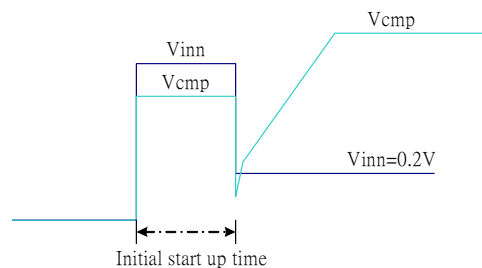


Figure 1. Initial transition response (VDD=5V, V_{INN} =0.68V, V_{CMP} =0.53V)



DC/AC Characteristics:

Parameter	Test Conditions	Min.	Typ.(Limits)	Max.	Unit
Reference Voltage					
Output voltage	Measured with shorted INN CMP pins VDD=5V, Ta=25°C	0.194	0.2	0.206	V
Line regulation	VDD=4 ~ 8V, Ta=25°C		2	20	mV
Under Voltage Look Out					
Upper threshold voltage	Ta=25°C	3.6	3.8	4.0	V
Hysteresis	Note2	0.1	0.2	0.3	V
Ramp Wave Generator					
Frequency		300	330	360	KHz
Output peak (Internal)	Note 1	1.7	1.8	1.9	V
Output valley (Internal)		0.25	0.308	0.35	V
Error Amplifier					
Open loop gain	Note 1	60	80		dB
Unit gain band width		1	1.5		MHz
Over Voltage Protection					
OVP threshold voltage	VDD=5V, Ta=25°C	1.45	1.55	1.65	V
Enable Control					
Turn on Threshold	VDD=5V, Note 1	1.2			V
Turn off Threshold				0.8	V
Output					
CMOS output impedance	Note 1, Note 2		50		Ω
Maximum Duty Cycle	VDD=5V, Ta=25°C, 330KHz.	90	93	95	%
Rising Time	VDD=5V, 1000pF load, Note 1, Note 2		65.5		ns
Falling Time				88.5	

Ta: ambient temperature.

Note 1. Only guaranteed by simulation or sampled evaluation during -40~+85°C. Not 100% tested.

Note 2. The voltages of the output drivers are pulled to GND in each off states.

Layout Notice:

Some of the pins are very sensitive to noise. Please follow the bellowing guideline to make the layout:

Note 1. Please keep the capacitor between VDD and GND as close as possible. Noisy IC VDD may trigger UVLO.

Note 2. Figure 2 is an example of making shortest traces between VDD and GND. The layout traces are under the IC.

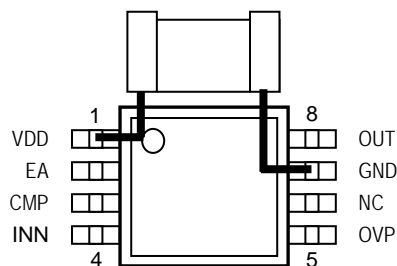


Figure 2



Soldering Information

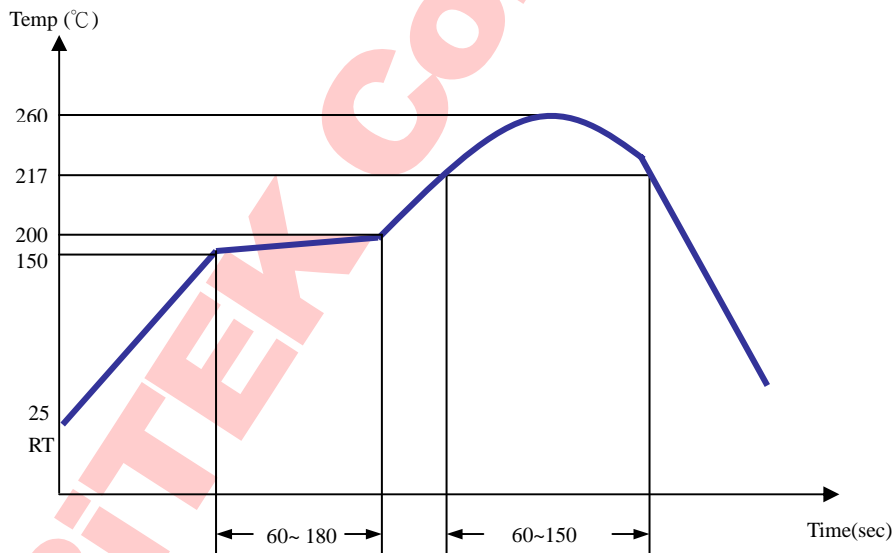
Reflow Soldering:

The choice of heating method may be influenced by plastic QFP package). If infrared or vapor phase heating is used and the package is not absolutely dry (less than 0.1% moisture content by weight), vaporization of the small amount of moisture in them can cause cracking of the plastic body. Preheating is necessary to dry the paste and evaporate the binding agent. Preheating duration: 45 minutes at 45 °C.

Reflow soldering requires solder paste (a suspension of fine solder particles, flux and binding agent) to be applied to the printed-circuit board by screen printing, stenciling or pressure-syringe dispensing before package placement. Several methods exist for reflowing; for example, convection or convection/infrared heating in a conveyor type oven. Throughput times (preheating, soldering and cooling) vary between 100 and 200 seconds depending on heating method.

Typical reflow peak temperatures range from 215 to 270 °C depending on solder paste material. The top-surface temperature of the packages should preferable be kept below 245 °C for thick/large packages (packages with a thickness ≥ 2.5 mm or with a volume ≥ 350 mm³ so called thick/large packages). The top-surface temperature of the packages should preferable be kept below 260 °C for thin/small packages (packages with a thickness < 2.5 mm and a volume < 350 mm³ so called thin/small packages).

Stage	Condition	Duration
1'st Ram Up Rate	max3.0+/-2°C/sec	-
Preheat	150°C ~200°C	60~180 sec
2'nd Ram Up	max3.0+/-2°C/sec	-
Solder Joint	217°C above	60~150 sec
Peak Temp	260 +0/-5°C	20~40 sec
Ram Down rate	6°C/sec max	-



Wave Soldering:

Conventional single wave soldering is not recommended for surface mount devices (SMDs) or printed-circuit boards with a high component density, as solder bridging and non-wetting can present major problems.

Manual Soldering:

Fix the component by first soldering two diagonally-opposite end leads. Use a low voltage (24 V or less) soldering iron applied to the flat part of the lead. Contact time must be limited to 10 seconds at up to 300 °C. When using a dedicated tool, all other leads can be soldered in one operation within 2 to 5 seconds between 270 and 320 °C.

BITEK
碩 誠 科 技
May 16, 2007
管 制
DCC CONTROLLED

Order Information:

BI T3251-S0

so: SOP

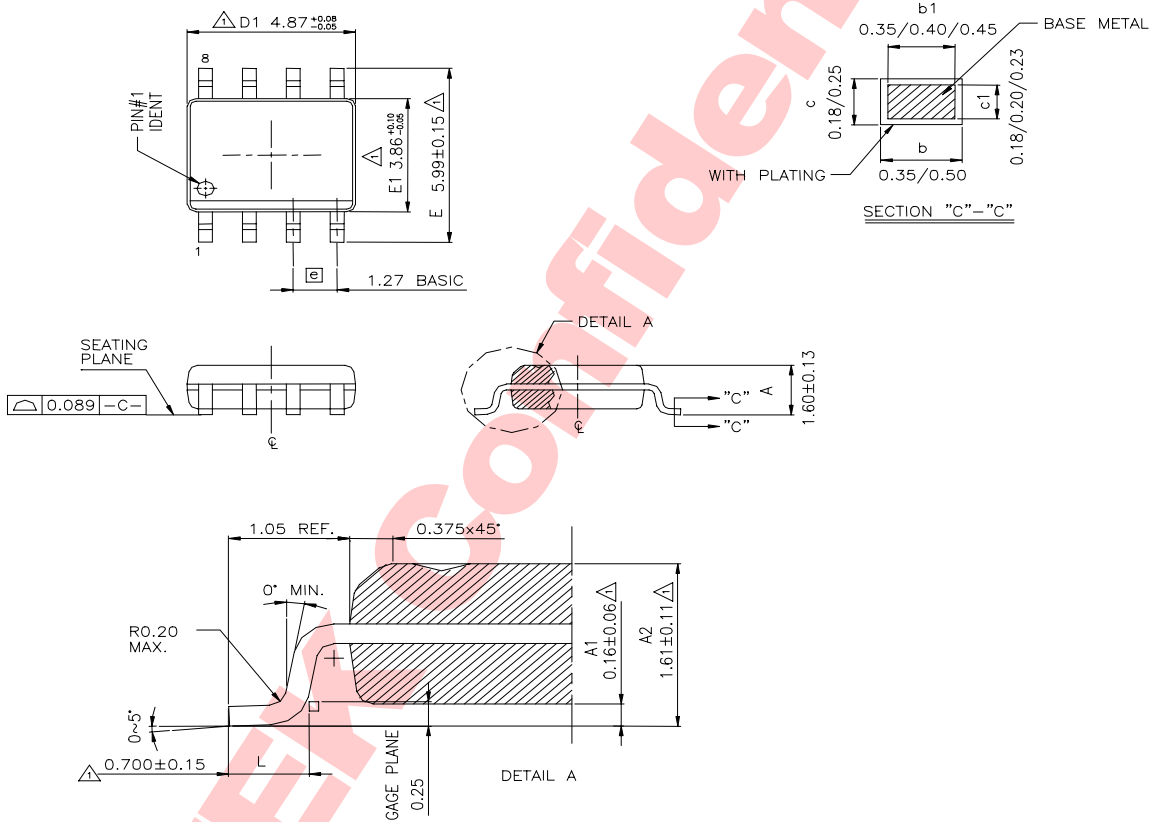
Part number

Beyond Innovation Technology Co., Ltd.

Package Information :

SOP type :

Unit: mm



碩頡科技 **BiTEK**
 管 May 16, 2007 制
DCC CONTROLLED