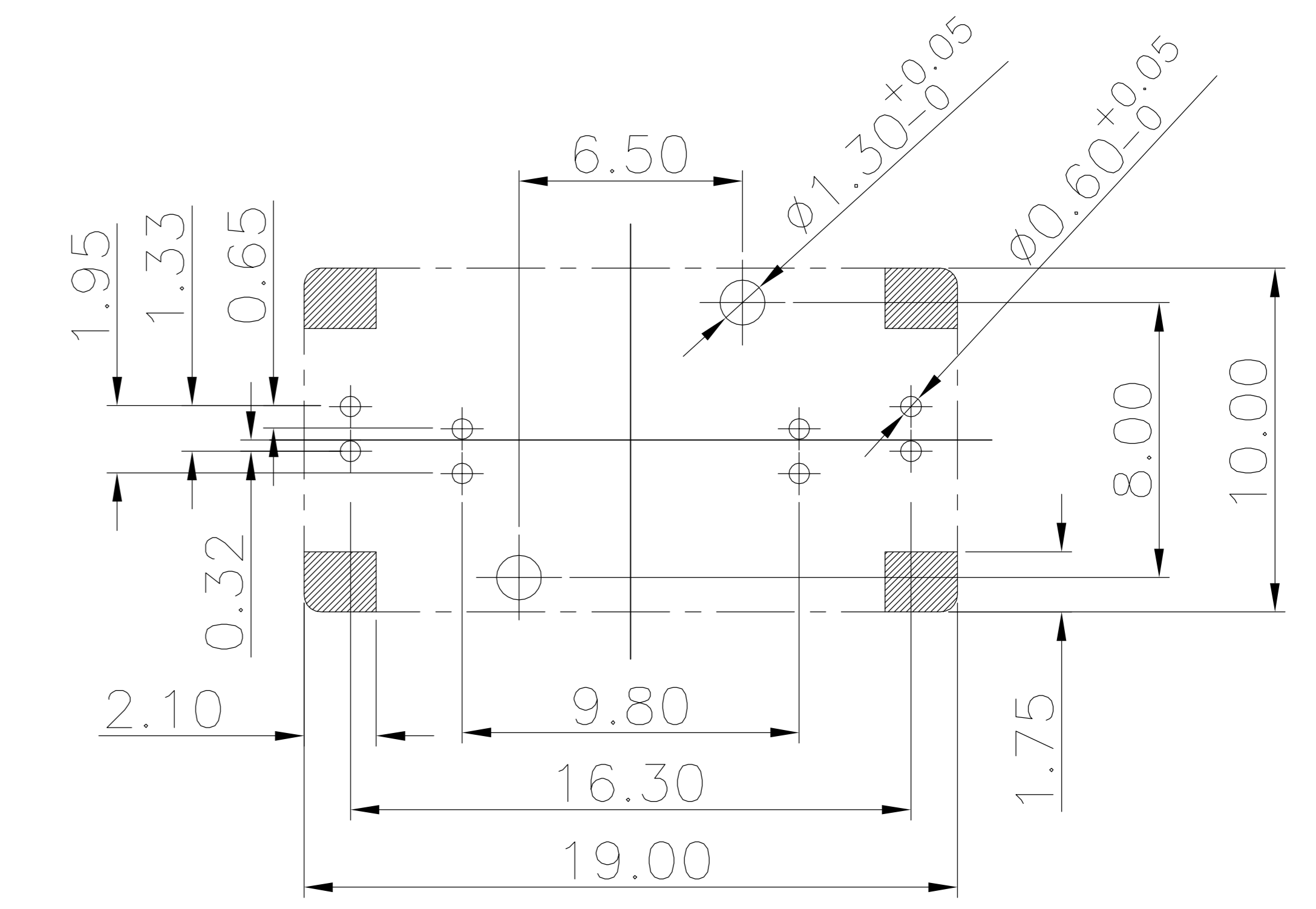
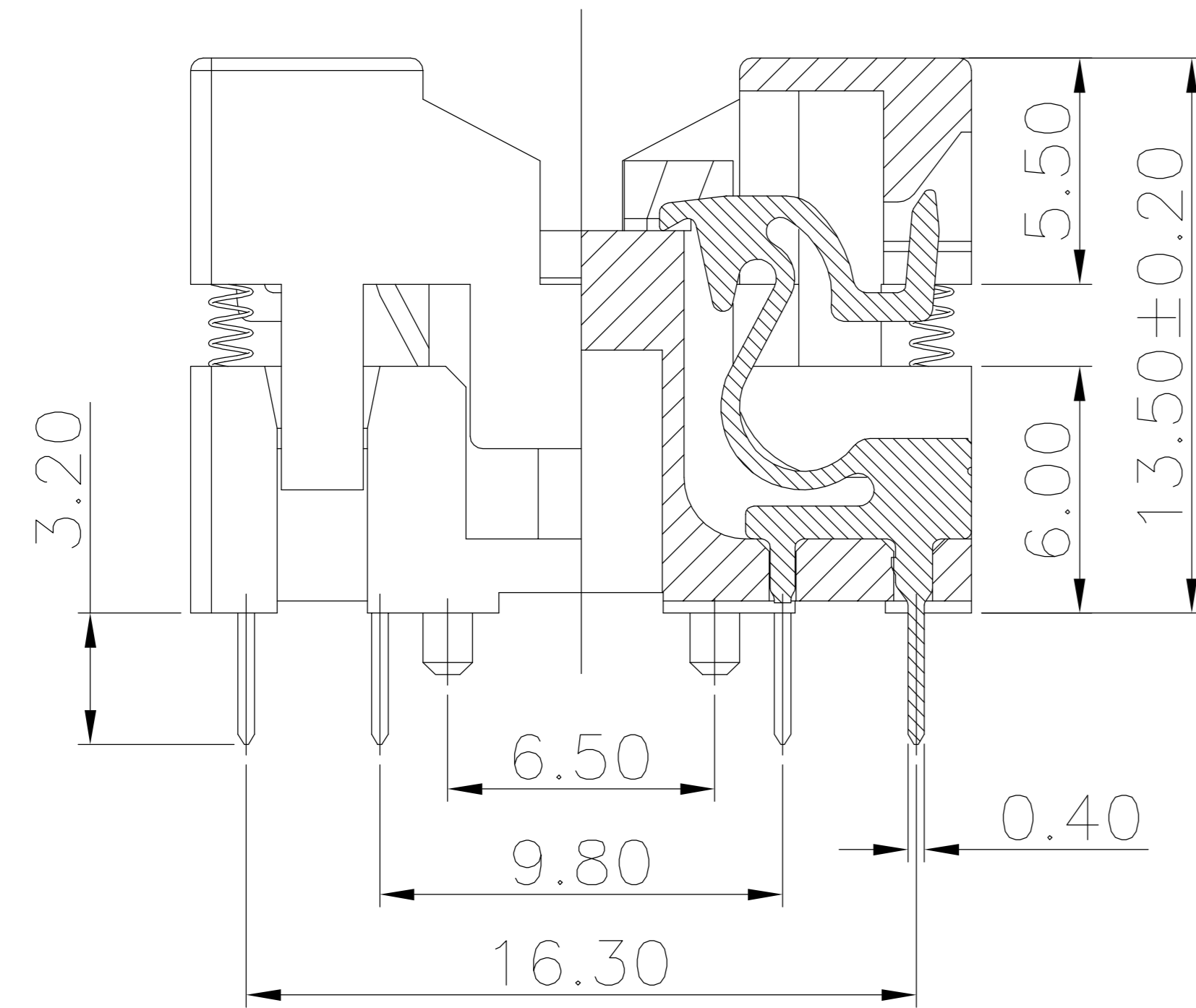


CONTACT TIP DETAIL

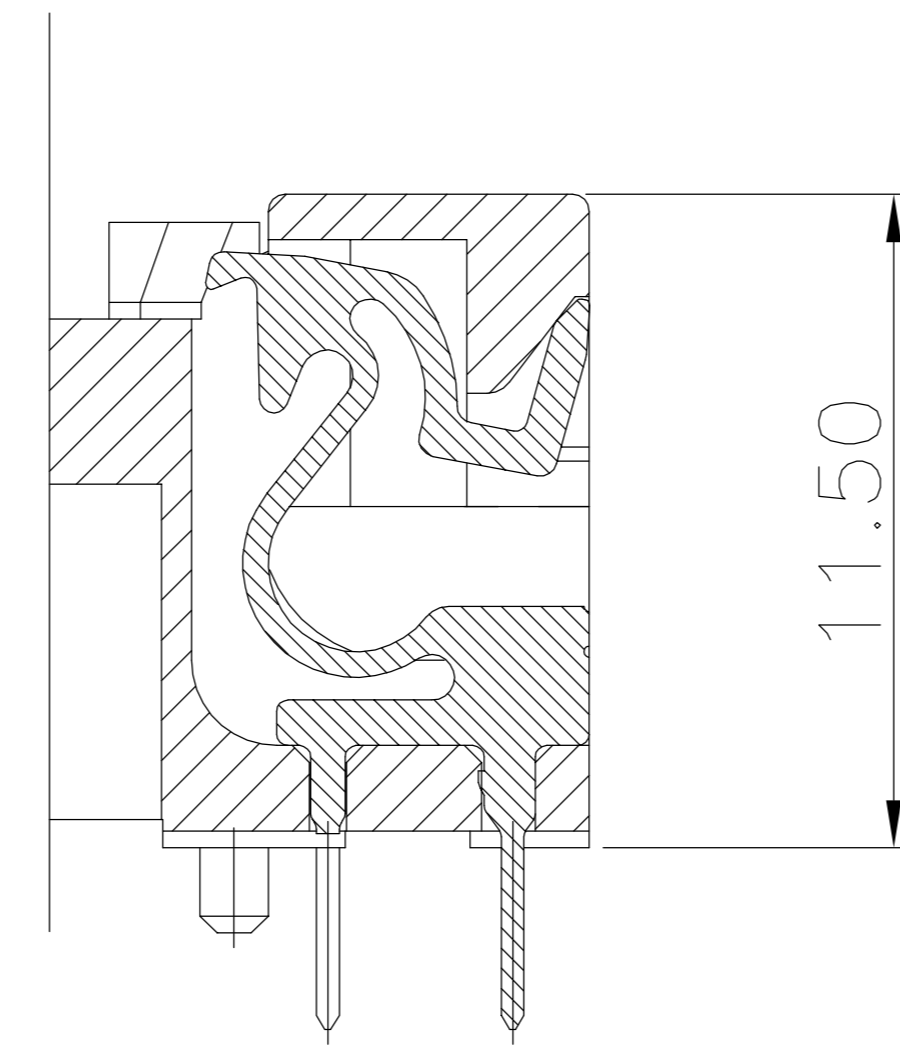


PCB PATTERN (TOP VIEW)

TOLERANCE:  $\pm 0.05$

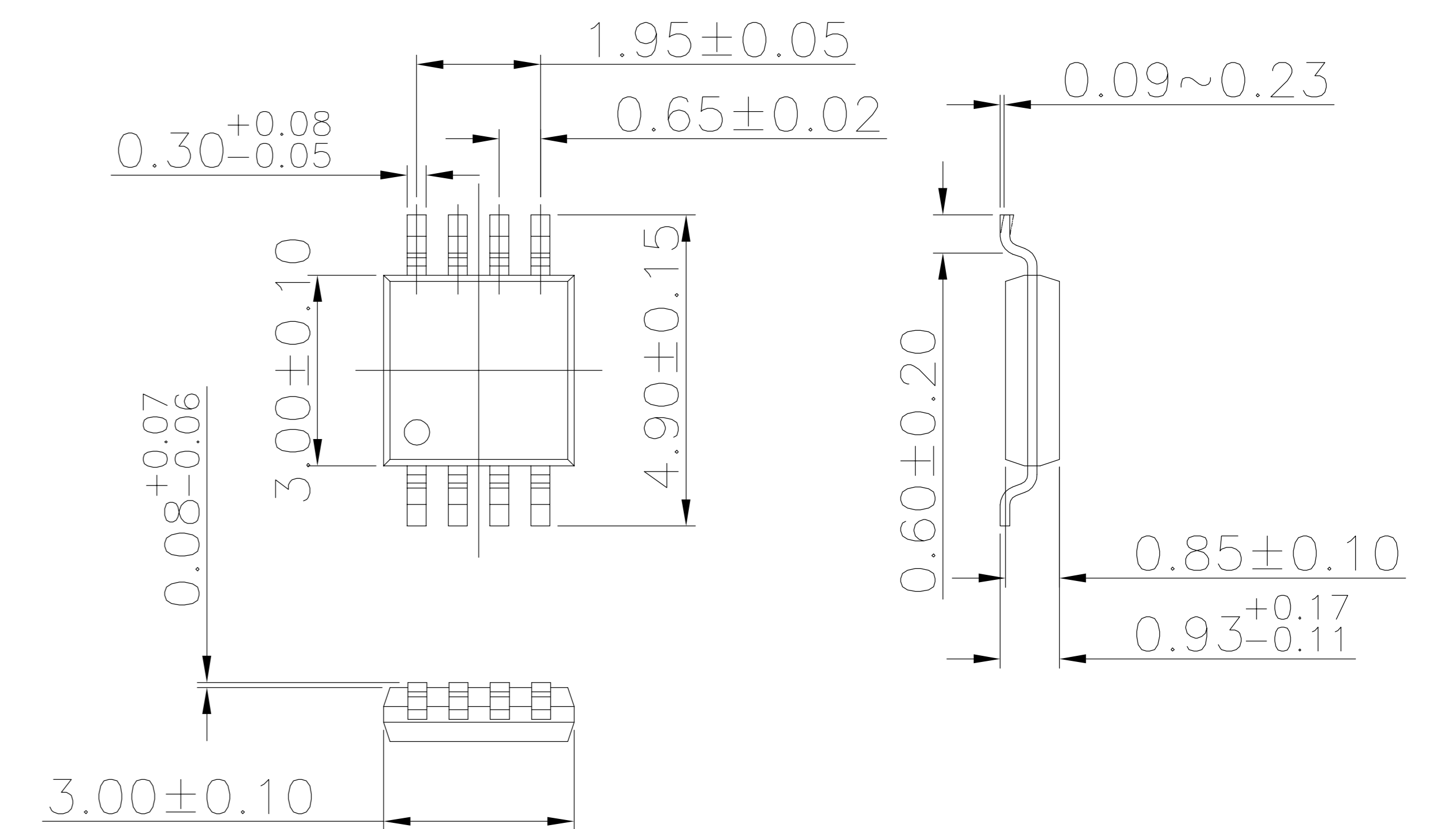


SEC: A-A



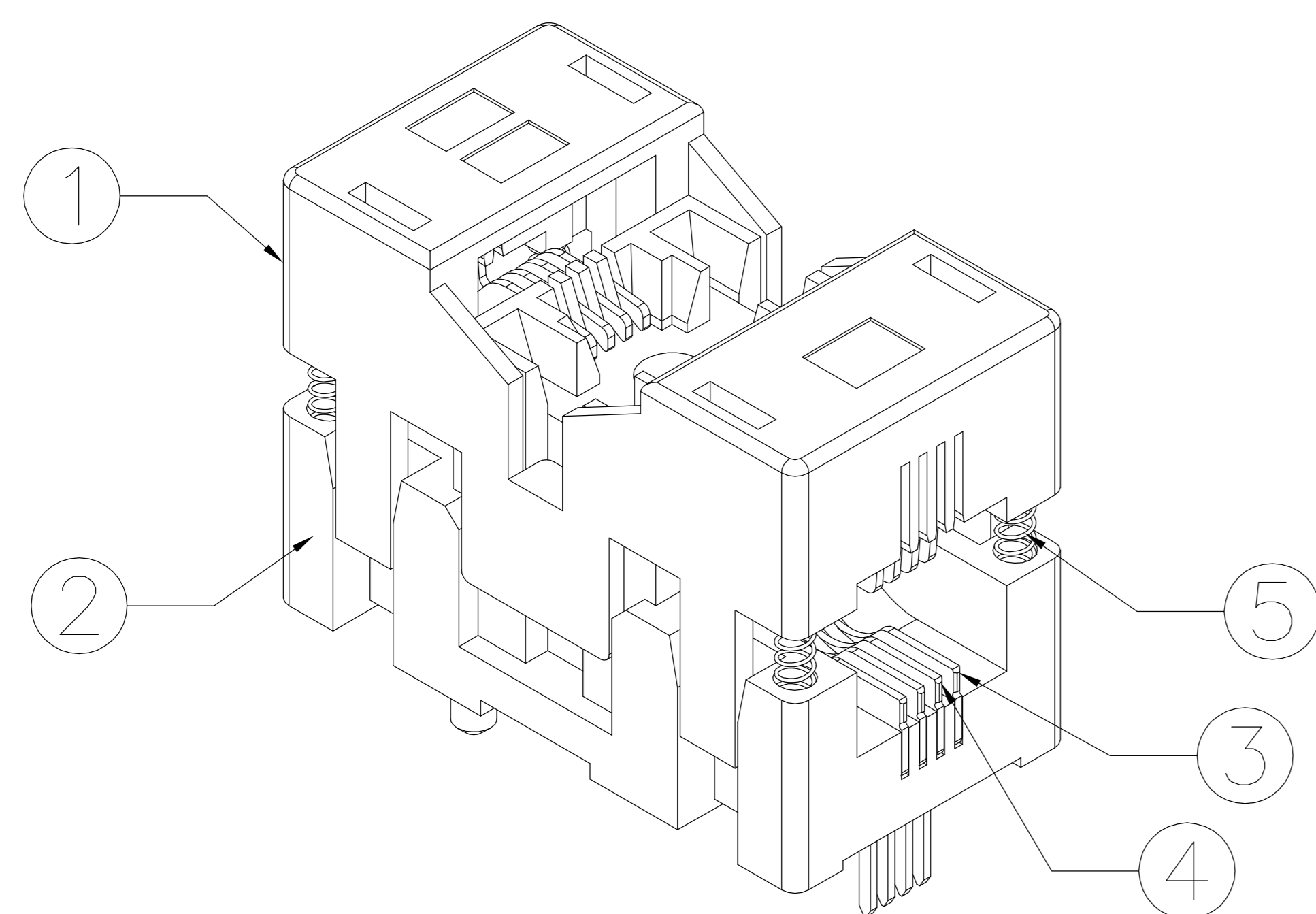
Contact Retracted

SEC: A-A



APPLICABLE IC

SCALE: 2:1



PERFORMANCE

1. Insulation Resistance: 1000m $\Omega$  Min. At DC 500V
2. Dielectric Withstanding Voltage For 1 Minute At AC 700V
3. Contact Resistance 30m $\Omega$  Max. At 10mA And 20mV Max. (Initial)
4. Operation Temperature -65° C ~+175° C
5. Life Span 15,000 Times (Mechanical)

No.	Part Number	Name	Material	Q/ty	Note	TOLERANCE	PROJECTION	GENERAL TOLERANCES	± 0.10	TITLE	MSOP8-0.65 SOCKET
5	30-B-4505B	SPRING	SUS	4	FOR COVER			R E V	AO	CLASS	MSOP8-0.65-TP01NT
4	MSOP10-0.5-TPJT B	CONTACT	BeCu	4	Au PLATING	X. $\pm 0.50$	DIMENSION: mm	SCALE: 1:1		DRW. NO	KZT-20151022-002
3	MSOP10-0.5-TPJT A	CONTACT	BeCu	4	Au PLATING	X. X $\pm 0.25$	APP:	DATE:			
2	MSOP08-0.65-TPCR	COVER	PEI	1	BLACK	X. XX $\pm 0.10$	CHECK:	DATE:			
1	MSOP08-0.65-TPBY	BODY	PEI	1	BLACK	X. XXX $\pm 0.05$	DEGK: Jiang	DATE: 2017-04-10			

