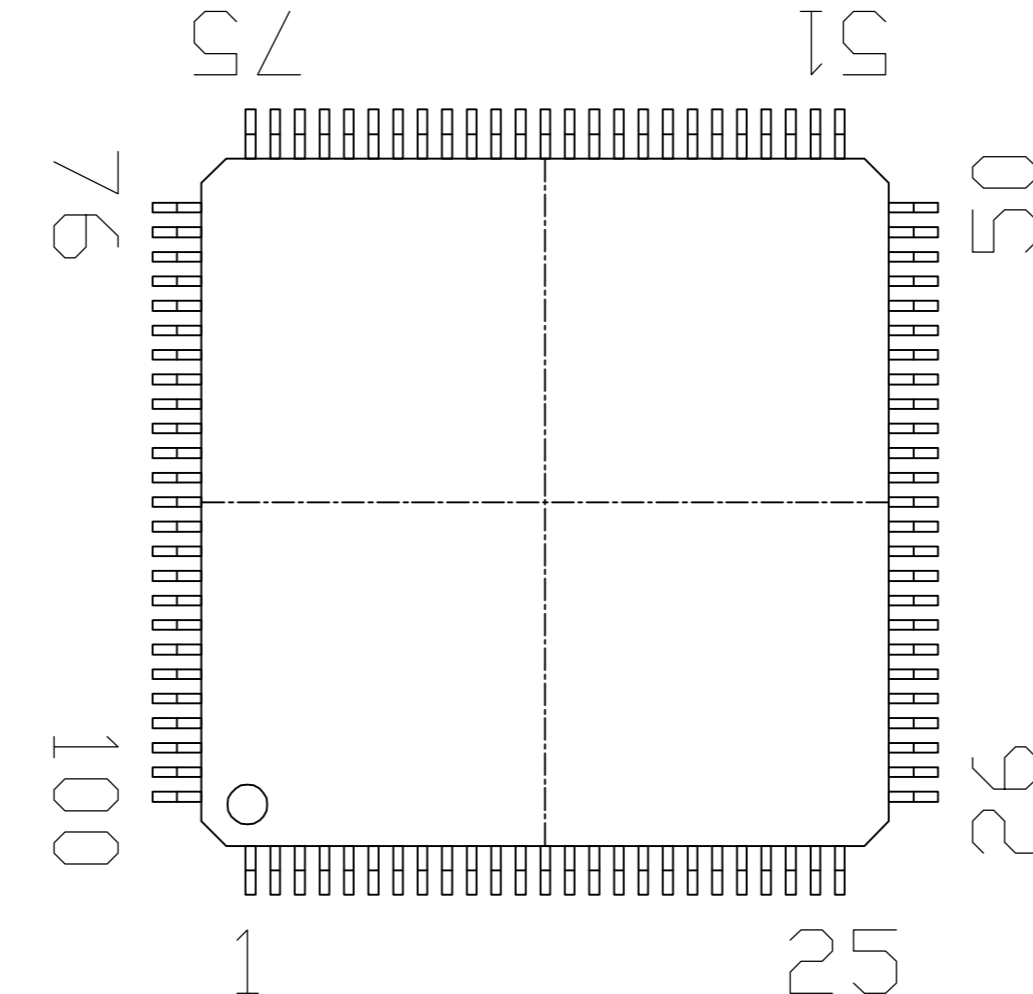
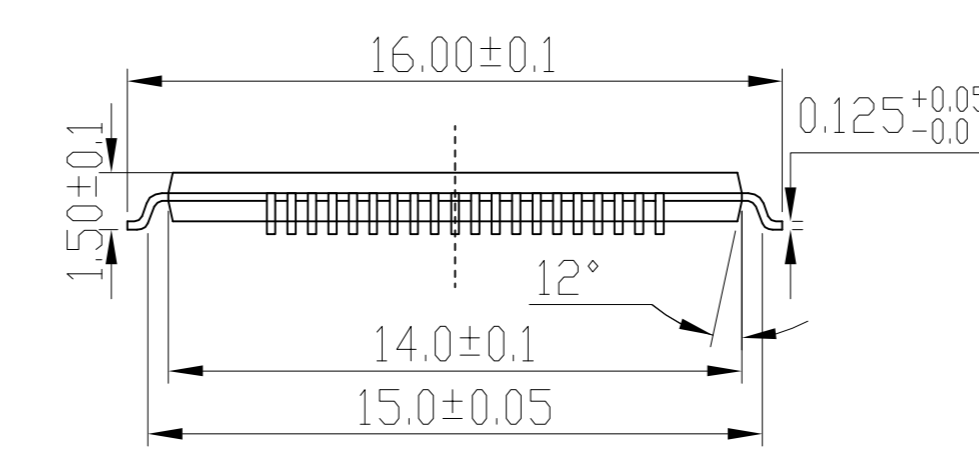
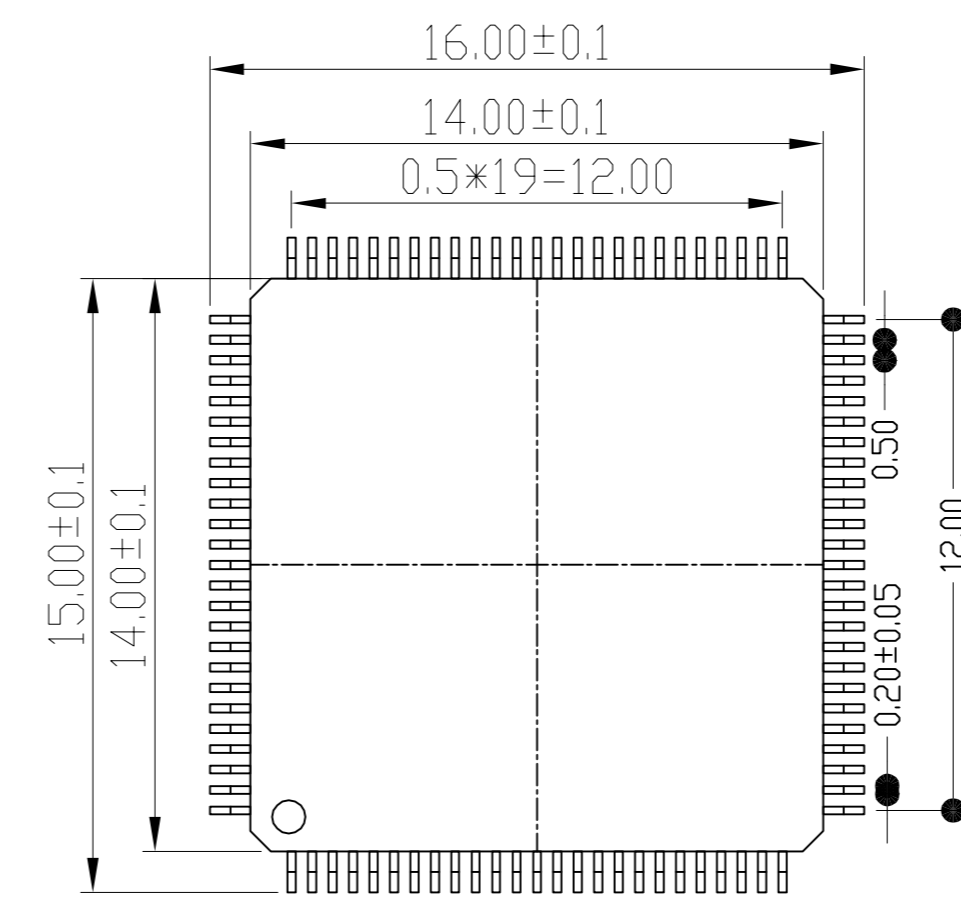
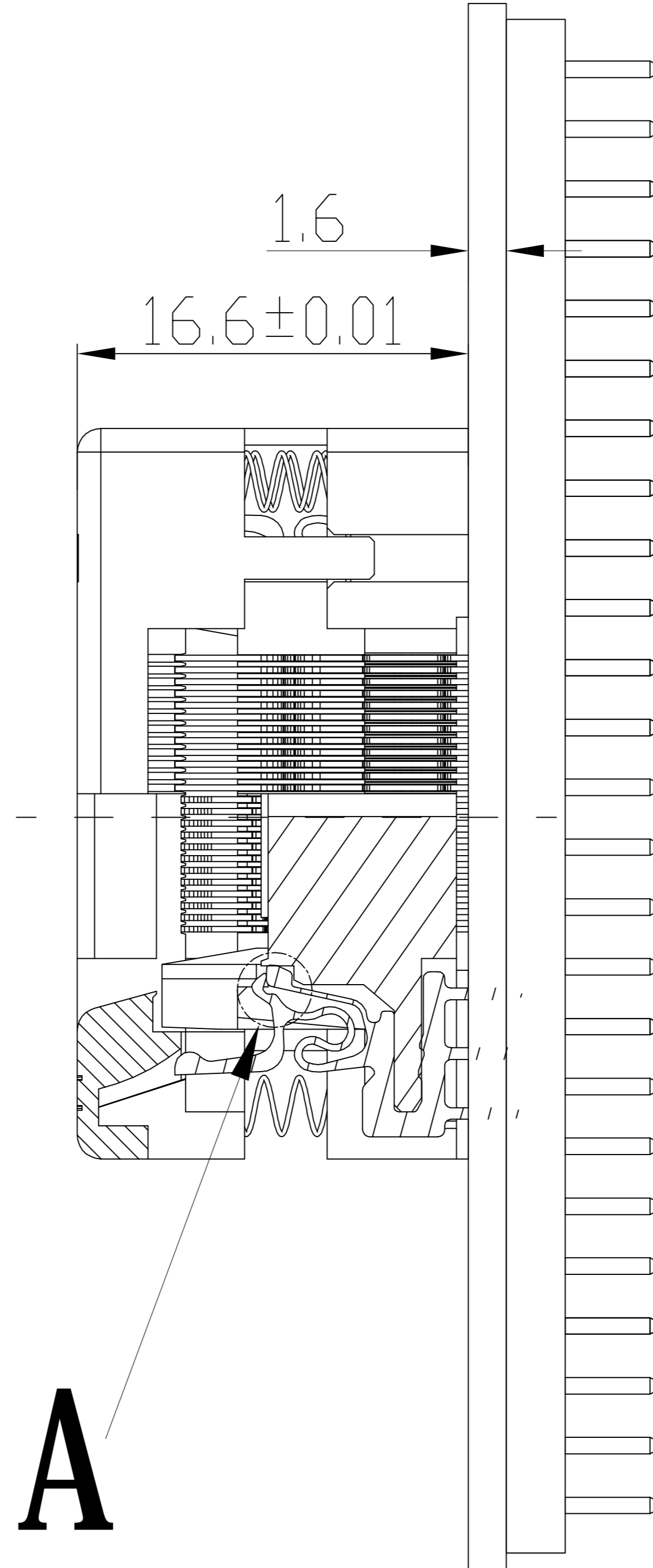
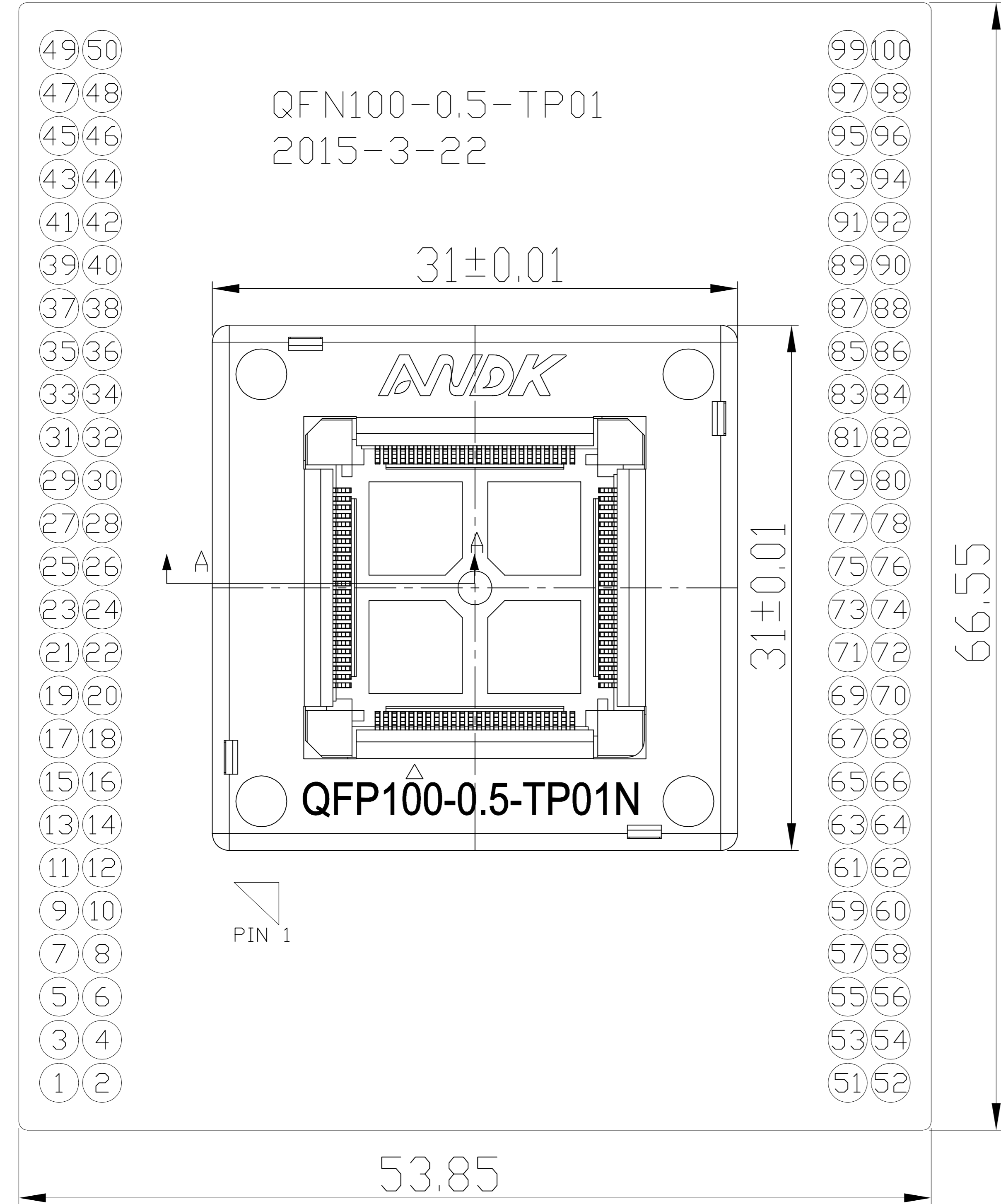
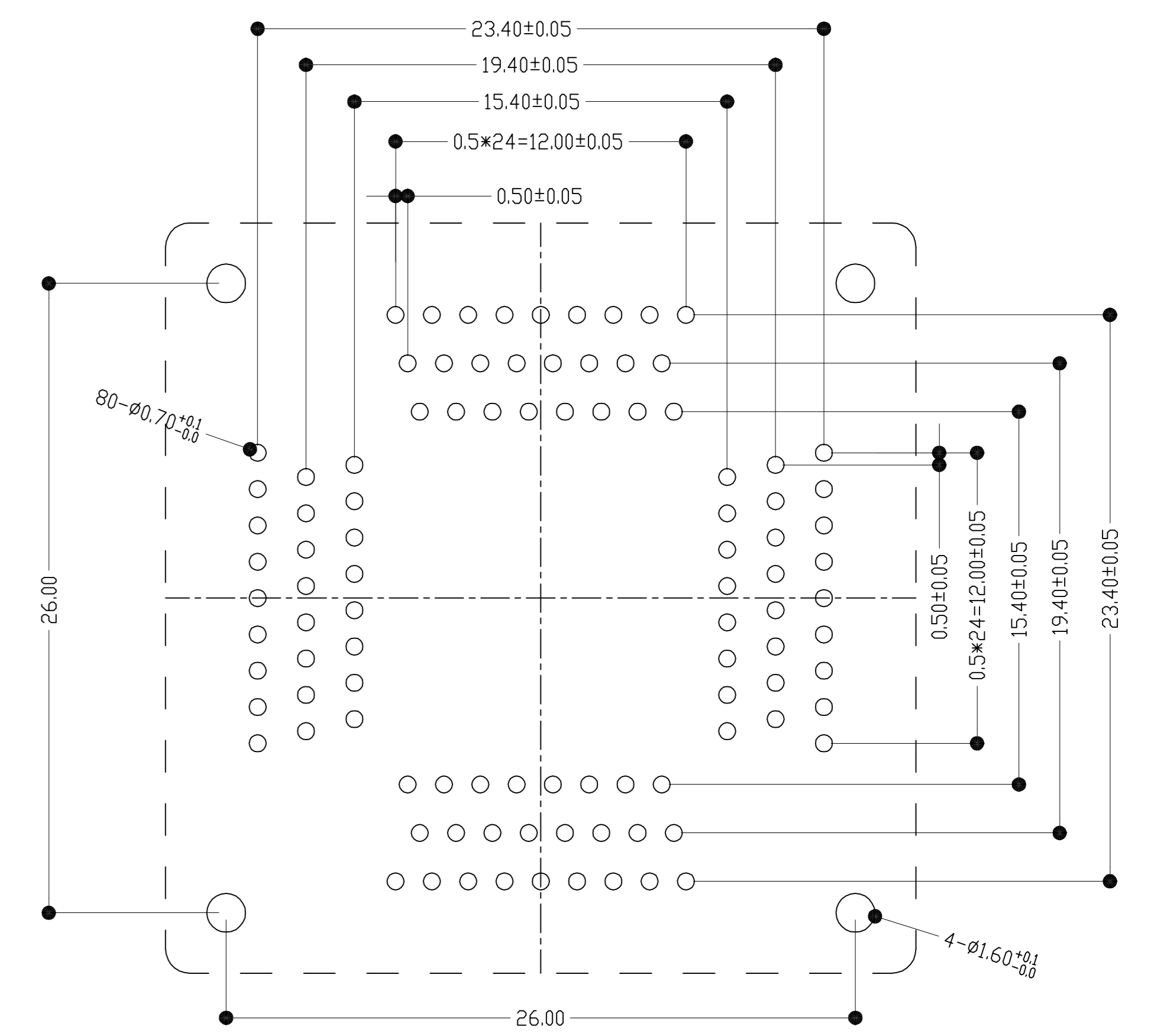


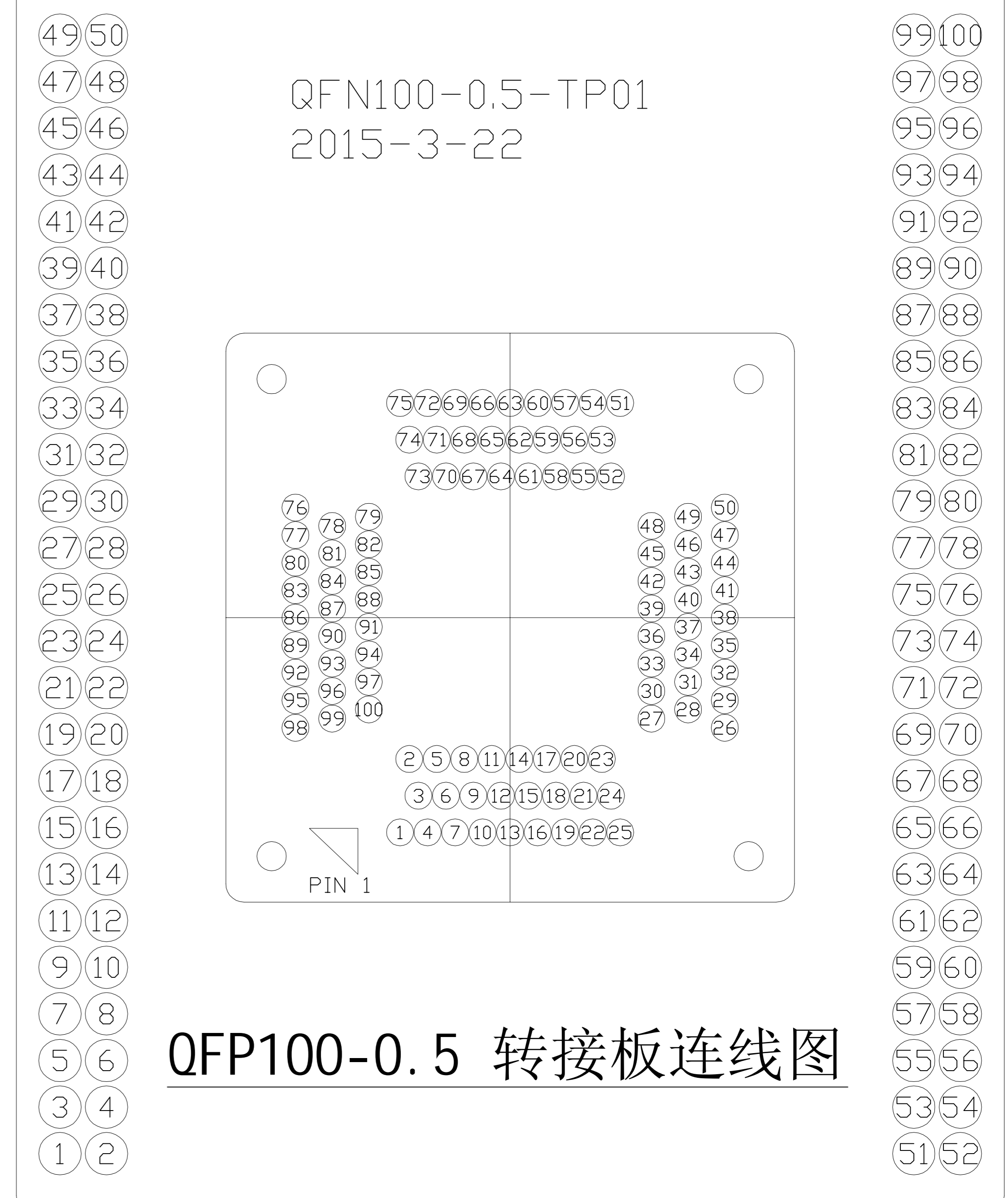
APPLICABLE IC

REVISION	DESCRIPTION	CHECK	APP	DATE	REV. NOTICE. NO
1					
2					
3					

PCB PATTERN (TOP VIEW)

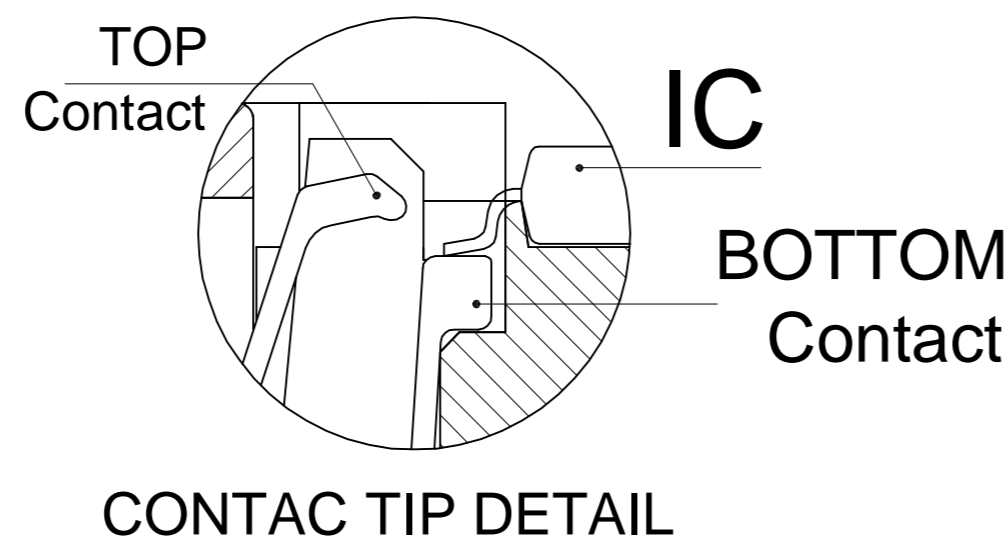


IC 脚位图

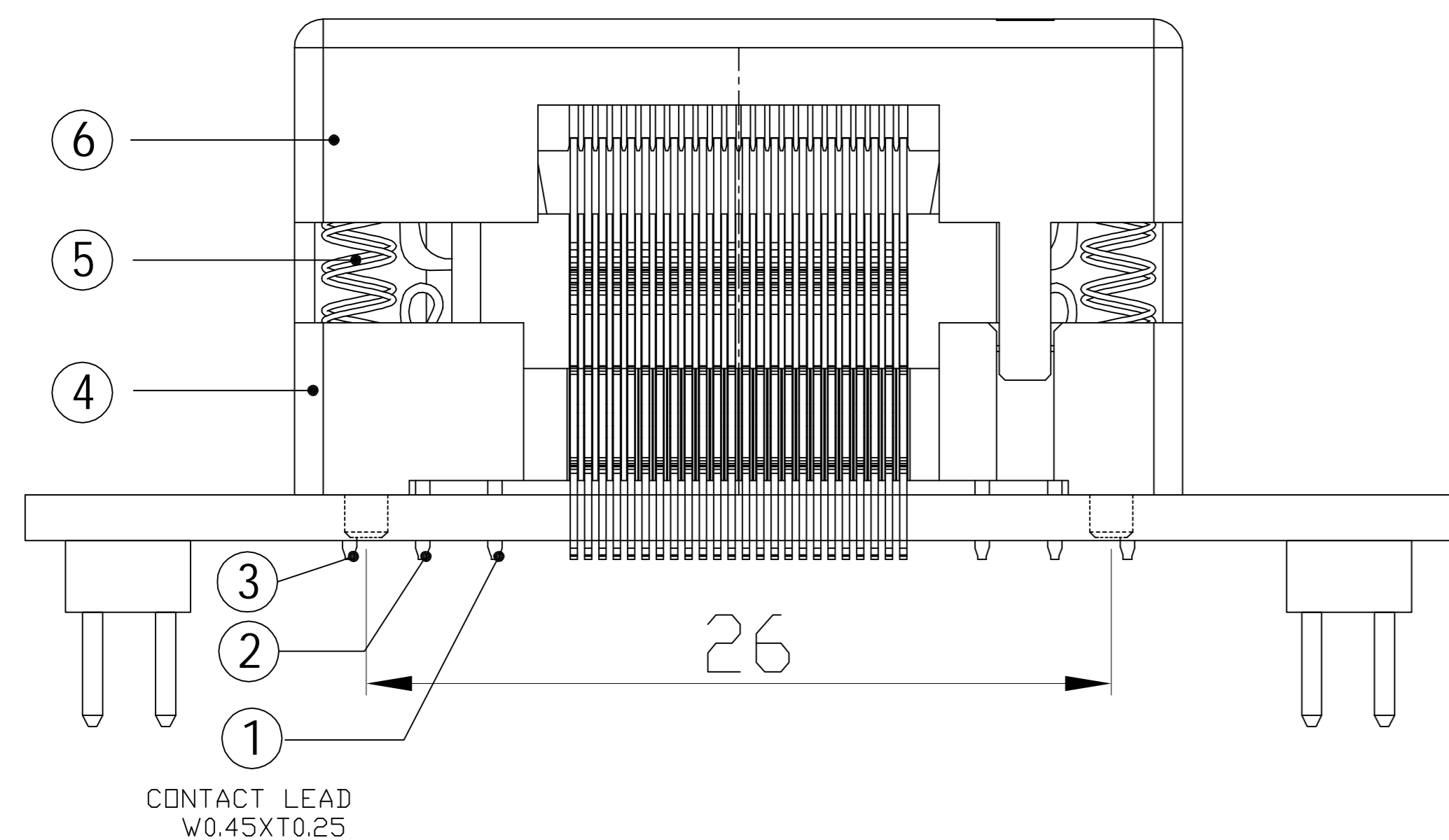
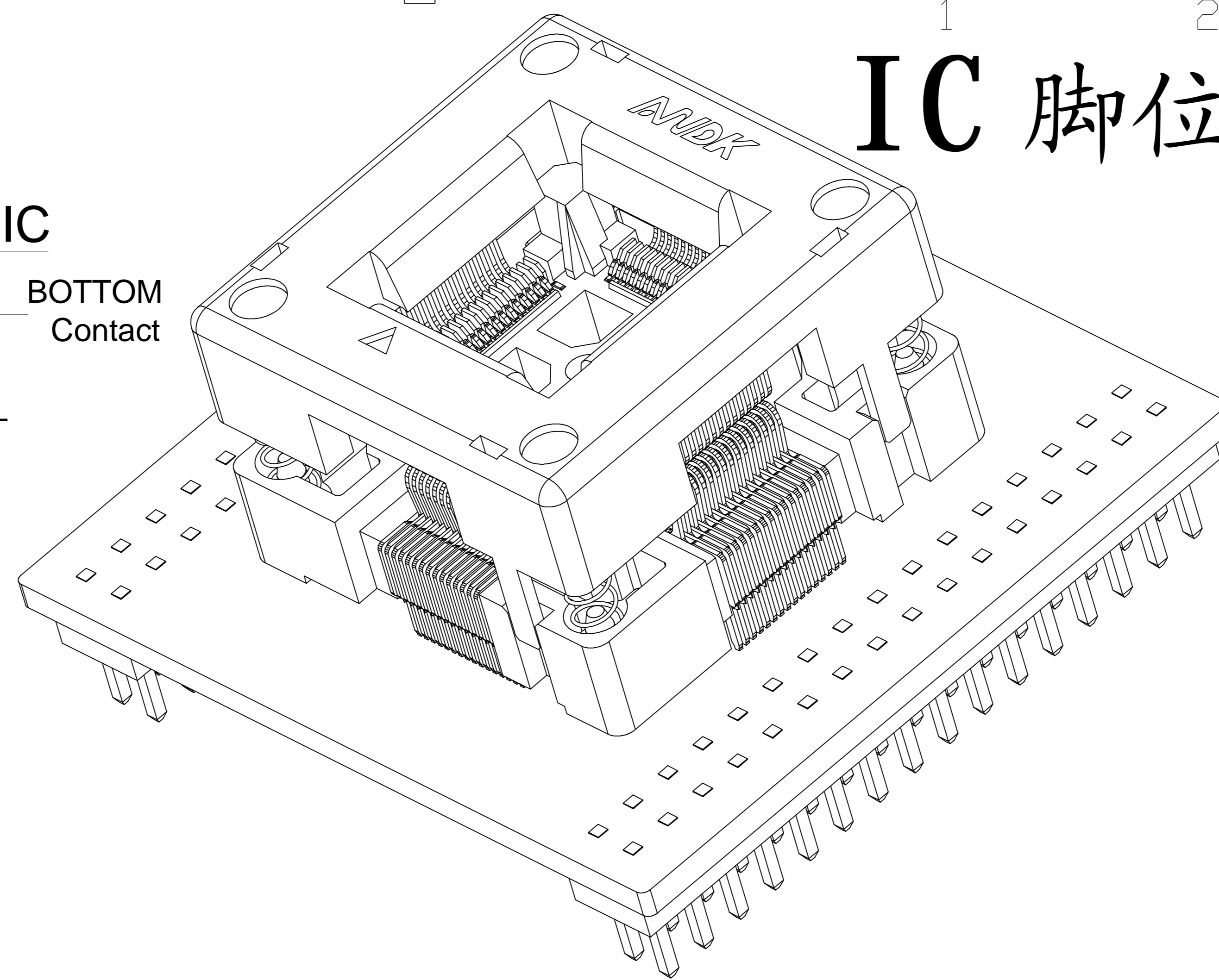


QFP100-0.5 转接板连线图

Insertion



A



6	QFP64-0.5-XCR	COVER	PEI/PES	1	BLACK
5	30-B-4515X	SPRING	SUS	4	FOR COVER
4	QFP64-0.5-XBY	BODY	PEI/PES	1	BLACK
3	QFP64-0.5-XCTC	CONTACT	BeCu	36	FOR COVER
2	QFP64-0.5-XCTB	CONTACT	BeCu	32	BLACK
1	QFP64-0.5-XCTA	CONTACT	BeCu	32	Au PLATING
No	Part Number	Name	Material	Q/ty	Note

PROJECTION	GENERAL TOLERANCES	±0.10	TITLE	QFP100-0.5 SOCKET
	REV	A	CLASS	QFP100-0.5-TP01N
DIMENSION:	SCALE:	1:1	DRW. NO	QFP100-0.5-TP01N-A-01
APP:	DATE:			
CHECK:	DATE:			
DEGK: ENG03	DATE: 20141217			

