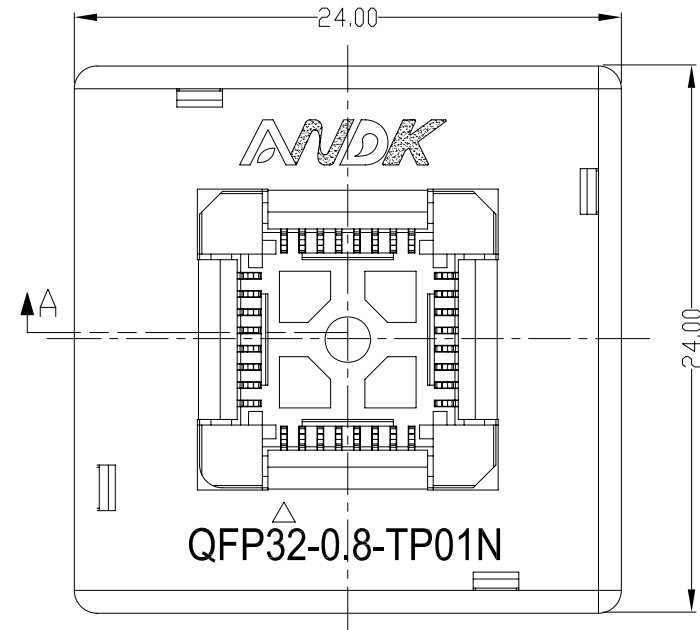
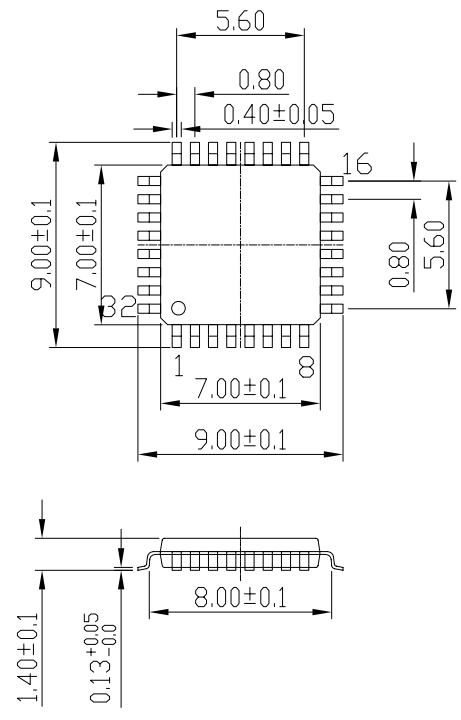


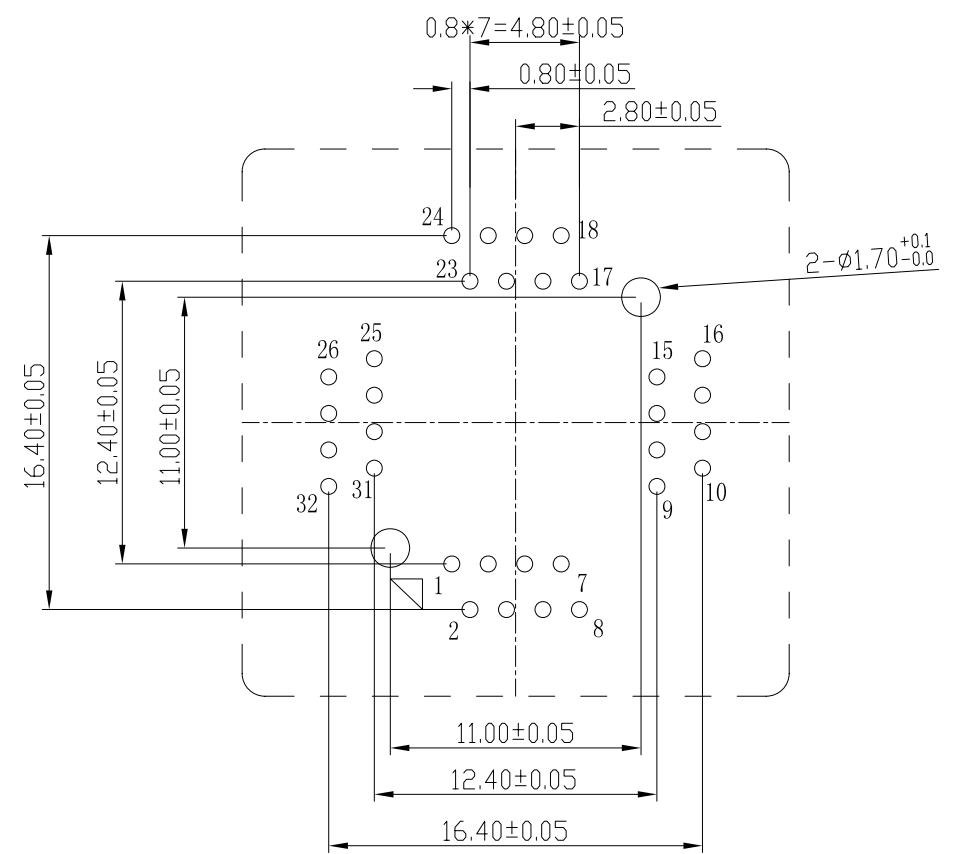
REVISION	DESCRIPTION	CHECK	APP	DATE	REV. NOTICE NO
△1					
△2					
△3					



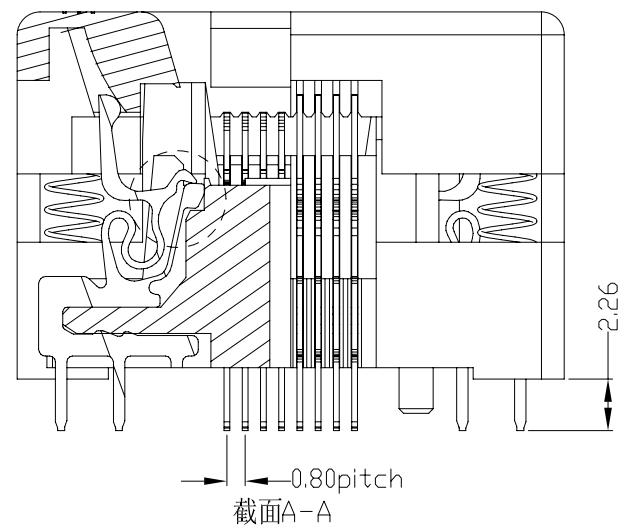
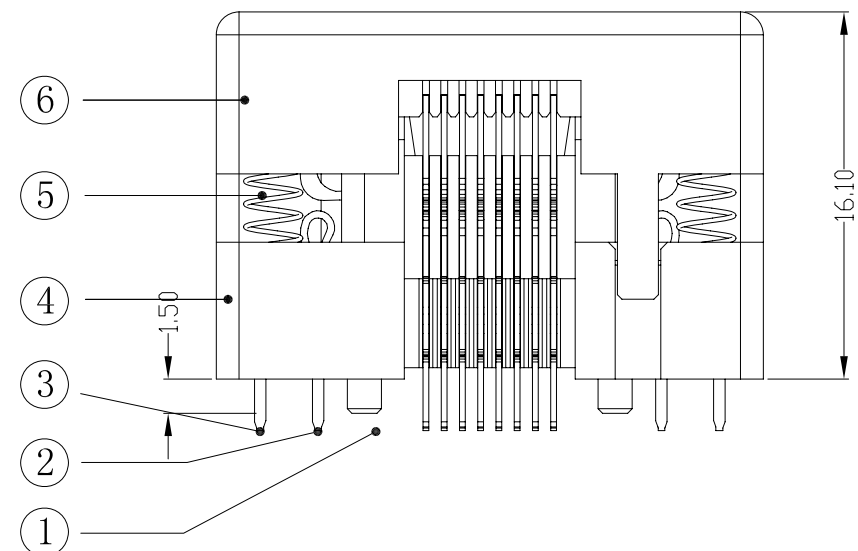
APPLICABLE IC



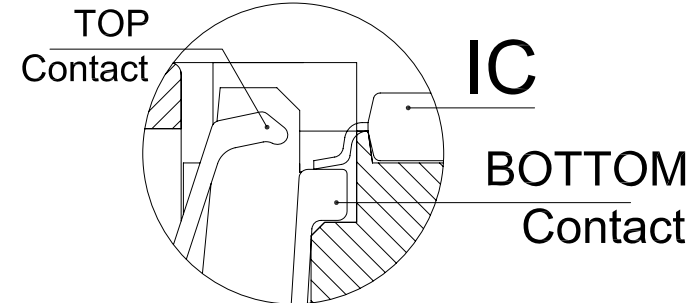
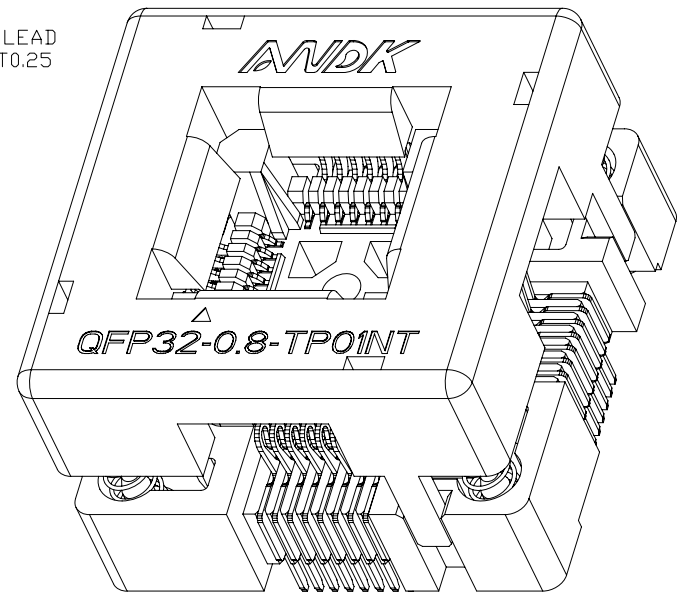
PCB PATTERN (TOP VIEW)



Insertion



CONTACT LEAD
W0.45XT0.25



CONTACT TIP DETAIL

PERFORMANCE

1. Insulation Resistance: 1000MΩ Min. At DC 500V
2. Dielectric Withstanding Voltage For 1 Minute At AC500V
3. Contact Resistance(Initial) 100mΩ MAX at 10mA
4. Rated Current: 1.0A.
5. Operation Temperature range -55°C ~+125°C
6. Terminal strength against pulling 0.5Kg(1min)
7. Insertion Min15,000 cycle (Mechanical)
8. Material: Body:PAI,PES; Contact:BeCu,Au plating(Ni-base)

No	Part Number	Name	Material	Q/ty	Note
6	QFP32-0.8-XCR	COVER	PEI/PES	1	BLACK
5	30-B-4515X	SPRING	SUS	4	FOR COVER
4	QFP32-0.8-XBY	BODY	PEI/PES	1	BLACK
3	QFP32-0.8-XCTC	CONTACT	BeCu	16	FOR COVER
2	QFP32-0.8-XCTB	CONTACT	BeCu	16	BLACK
1	QFP32-0.8-XCTA	CONTACT	BeCu	--	Au PLATING

TOLERANCE	PROJECTION	GENERAL TOLERANCES	±0.10	TITLE	QFP32-0.8 SOCKET
X. ± 0.50	DIMENSION: mm	R E V	A	CLASS	QFP32-0.8-TP01NT
X. X ± 0.25	APP:	SCALE: 1:1		DRW. NO	01
X. XX ± 0.10	CHECK:	DATE:			
X. XXX ± 0.05	DEGK:	DATE: 20170316			

