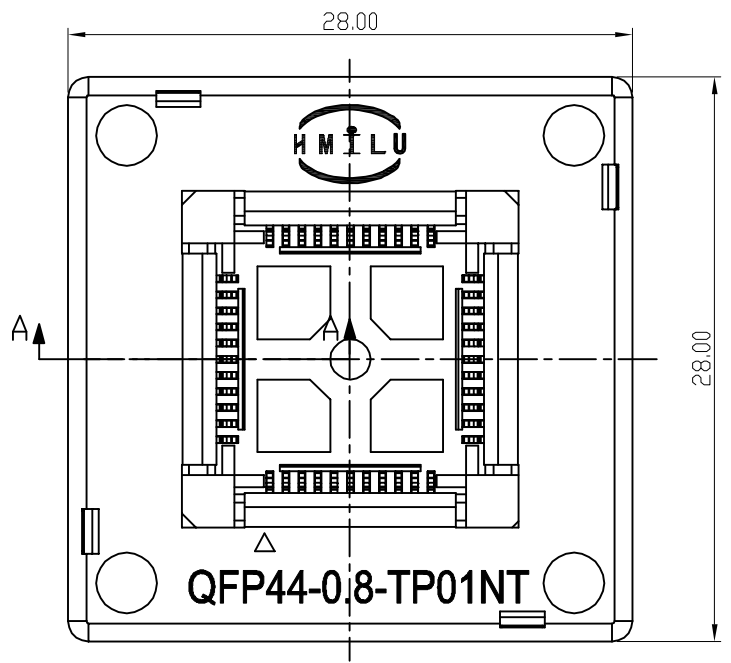
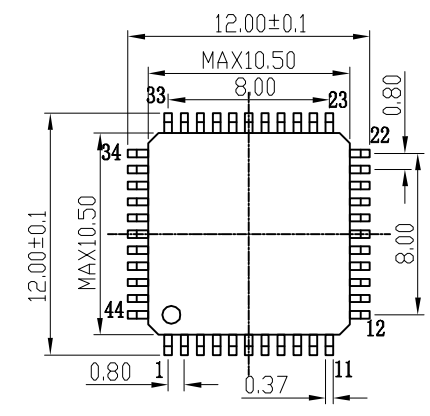


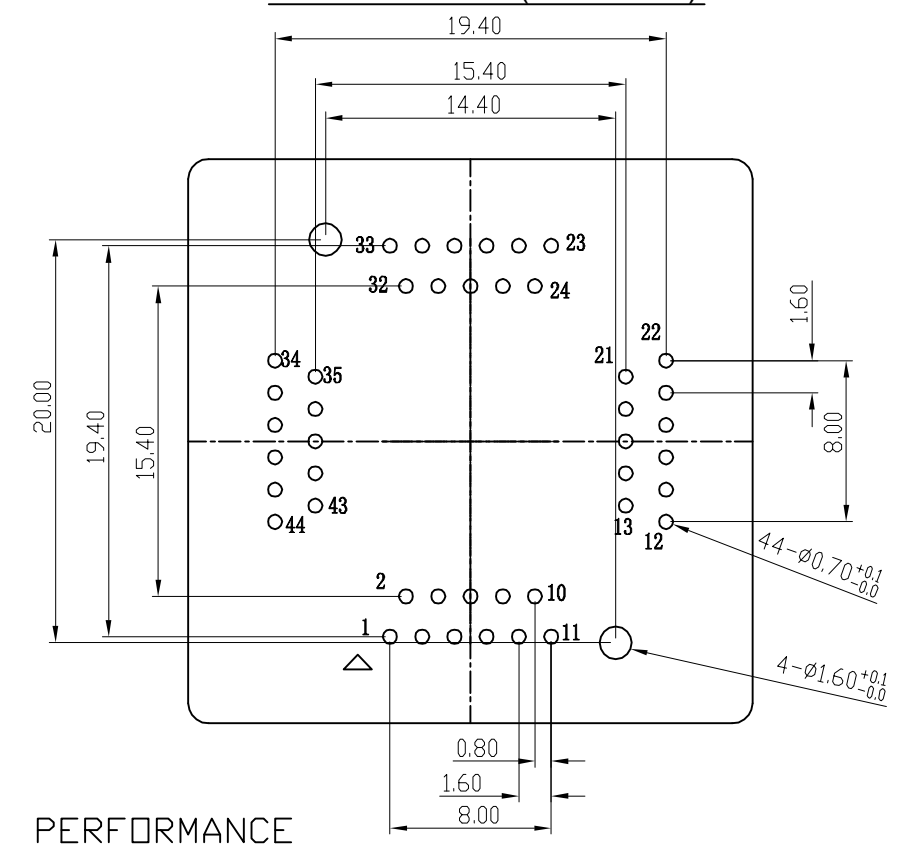
| REVISION | DESCRIPTION | CHECK | APP | DATE | REV. NOTICE. NO |
|----------|-------------|-------|-----|------|-----------------|
| △1 | | | | | |
| △2 | | | | | |
| △3 | | | | | |



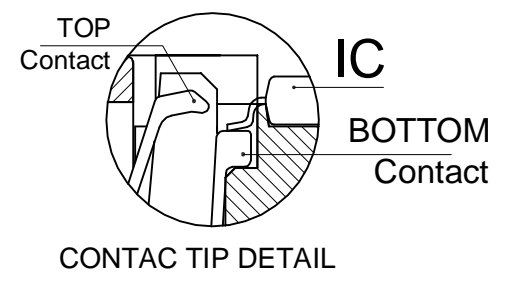
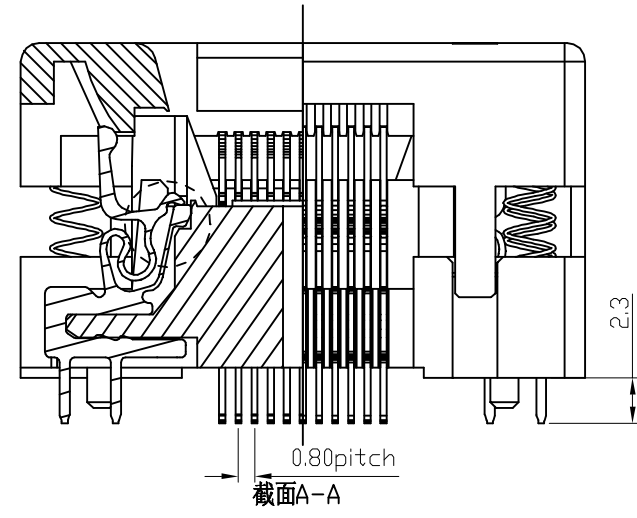
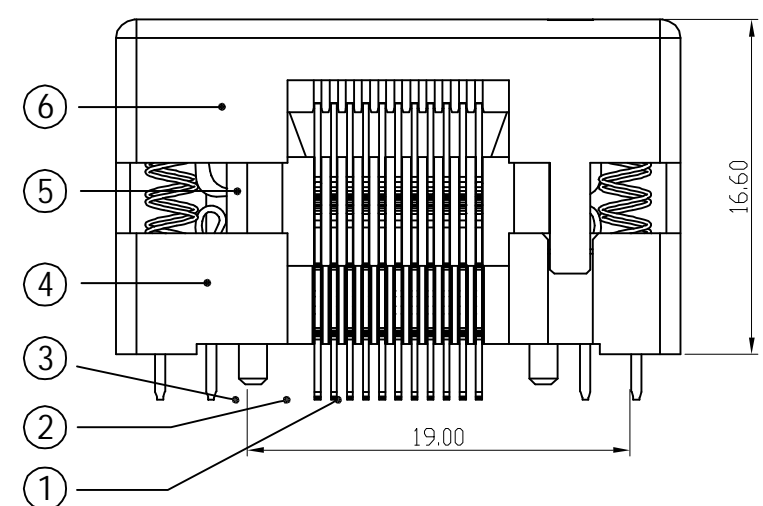
APPL ICABLE IC



PCB PATTERN (TOP VIEW)



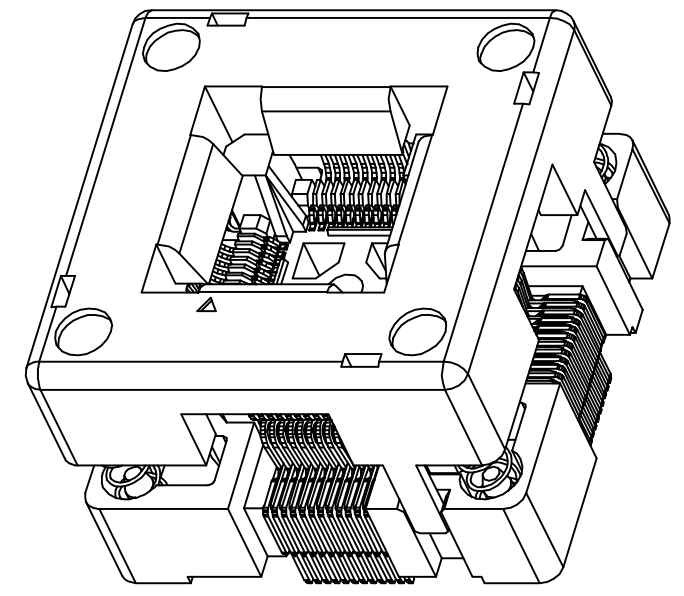
Insertion



PERFORMANCE

1. Insulation Resistance: 1000MΩ Min.At DC 500V
2. Dielectric Withstanding Voltage For 1 Minute At AC500V
3. Contact Resistance(Initial) 100mΩ MAX at 10mA
4. Rated Current: 1.0A.
5. Operation Temperature range -65°C ~+150°C
6. Terminal strength against pulling 0.5Kg(1min)
7. Insertion Min10000 cycle (Mechanical)
8. Material: Body:PAI,PES; Contact:BeCu,Au plating(Ni-base)

CONTACT LEAD
W0.45XT0.25



| No | Part Number | Name | Material | Q/ty | Note |
|----|----------------|---------|----------|------|------------|
| 6 | QFP44-0.8-XCR | COVER | PEI/PES | 1 | BLACK |
| 5 | 30-B-4515X | SPRING | SUS | 4 | FOR COVER |
| 4 | QFP44-0.8-XBY | BODY | PEI/PES | 1 | BLACK |
| 3 | QFP44-0.8-XCTC | CONTACT | BeCu | 0 | FOR COVER |
| 2 | QFP44-0.8-XCTB | CONTACT | BeCu | 20 | BLACK |
| 1 | QFP44-0.8-XCTA | CONTACT | BeCu | 24 | Au PLATING |

| TOLERANCE | PROJECTION | GENERAL TOLERANCES | ±0.10 | TITLE |
|--------------|---------------|--------------------|---------|------------------|
| X. ±0.50 | DIMENSION: mm | R E V | A | QFP44-0.8 SOCKET |
| X. X ±0.25 | APP: | SCALE: 1:1 | DRW. NO | QFP44-0.8-TP01NT |
| X. XX ±0.10 | CHECK: | DATE: | | |
| X. XXX ±0.05 | DEGK: eng03 | DATE: 20150606 | | |

