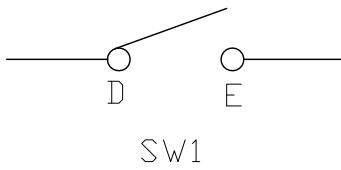
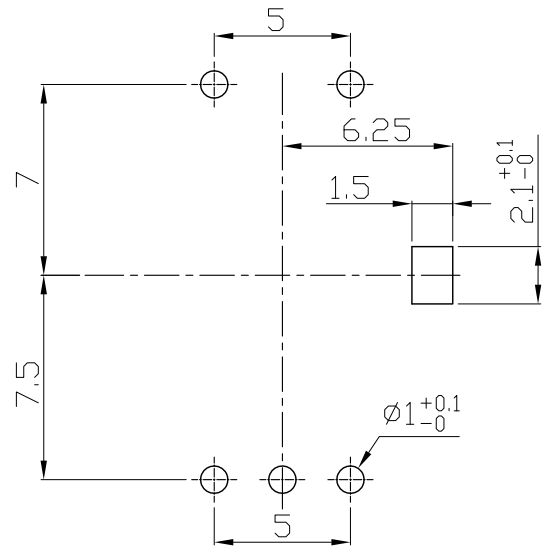
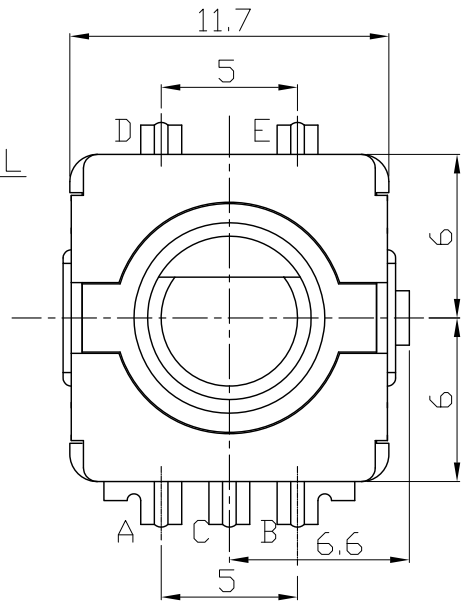
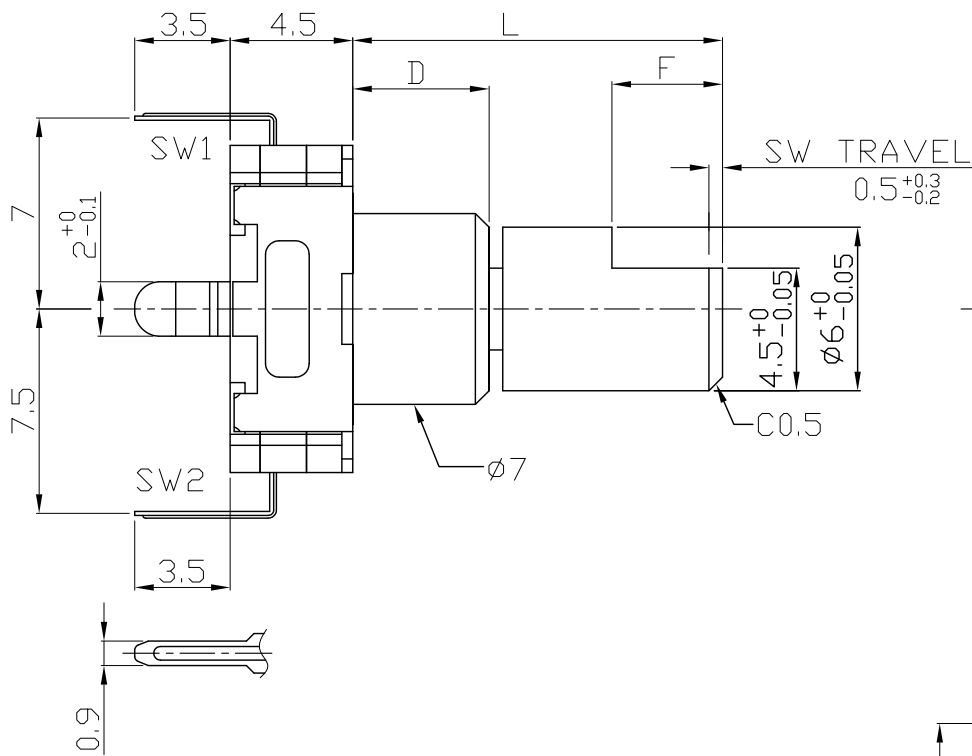


MODEL RE1103  K1-H01

BASIC DIMENSIONS	L ≤ 10	10 < L	100 ≤ L	ANGLE	UNIT
TOL.	±0.3	±0.5	±0.8	±5°	mm



<input checked="" type="checkbox"/>	F	H
D	7	10

轴型规格

		D=7							
AB轴	L	12.5	13	14.5	15	15	17	18	20
	F	4.5	4	5.5	5	7	7	7	7

		D=7									D=10						
A轴	L	13	14	14.3	15.5	16.6	17.1	18.5	19	19.5	20	23.5	27	29.5	31.5	32	33.5
	F	4	5	5.5	7	7	7	6.5	7	10	10	10	7	9	11	10	10

		D=7										D=10	
V轴	L	12.5	13.5	14	14	15.5	15	15.5	18	18.5	19	19.5	23.5
	F	4	4	3.5	5	5	7	5	9	8.5	7	6	10

		D=7										D=10
K轴	L	12	13.3	14	16.7	17	20.5	22	25.5	27.5	17.5	
	F	3.5	5	5	5	7	11	11	5	15	6	

		D=7		D=10
F轴	L	16.5	20	29.5
	F	7	10	12