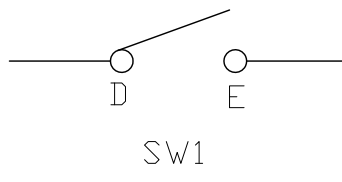
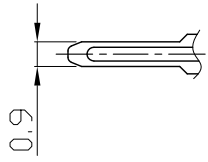
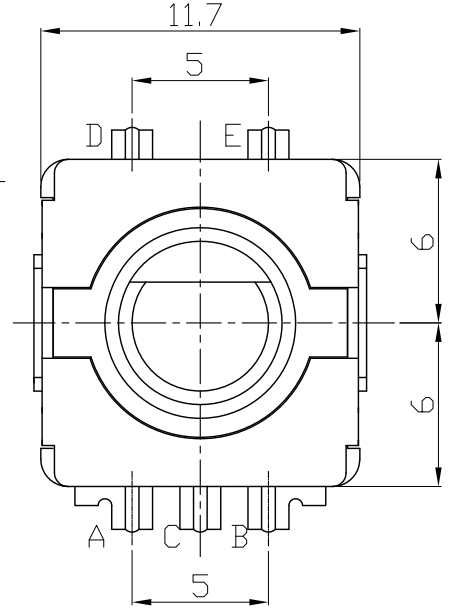
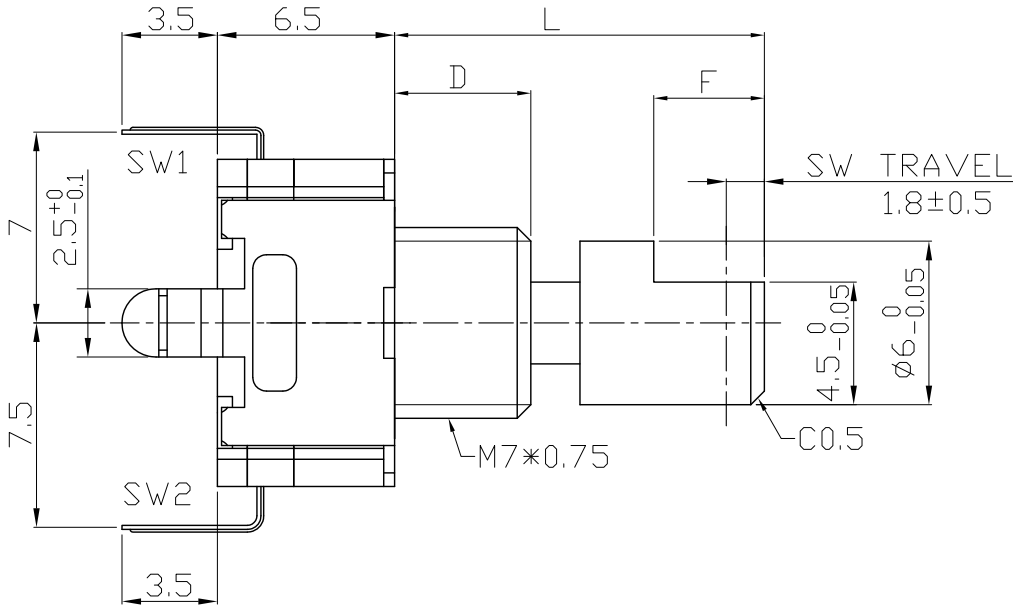


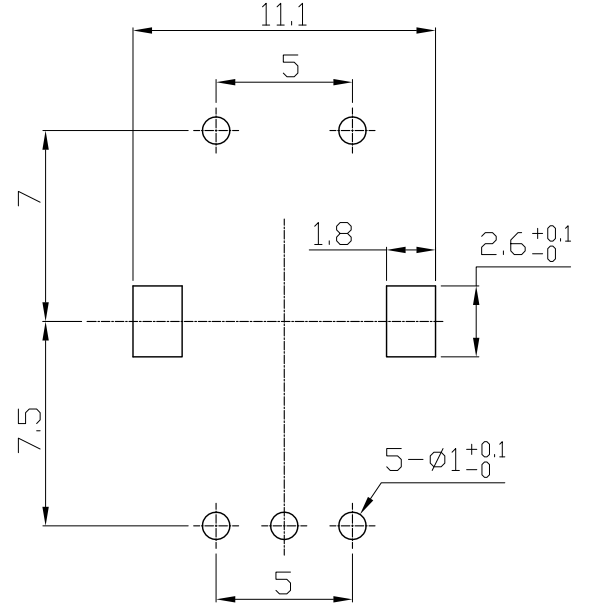
MODEL RE1101 **X** **W** 1-H01

BASIC DIMENSIONS	L ≤ 10	10 < L	100 ≤ L	ANGLE	UNIT
TOL.	±0.3	±0.5	±0.8	±5°	mm



X	B	C
D	5	7

W	B	C	G
K	2.5	2	2.5
Q	11.7	11.7	11.7
R	11.1	11.1	11.1
S	2.6	2.1	2.6



P.C.B.MOUNTING DETAIL

轴型规格

<p>A轴</p>	D=5		D=7
	L	13.5	21
	F	6	10