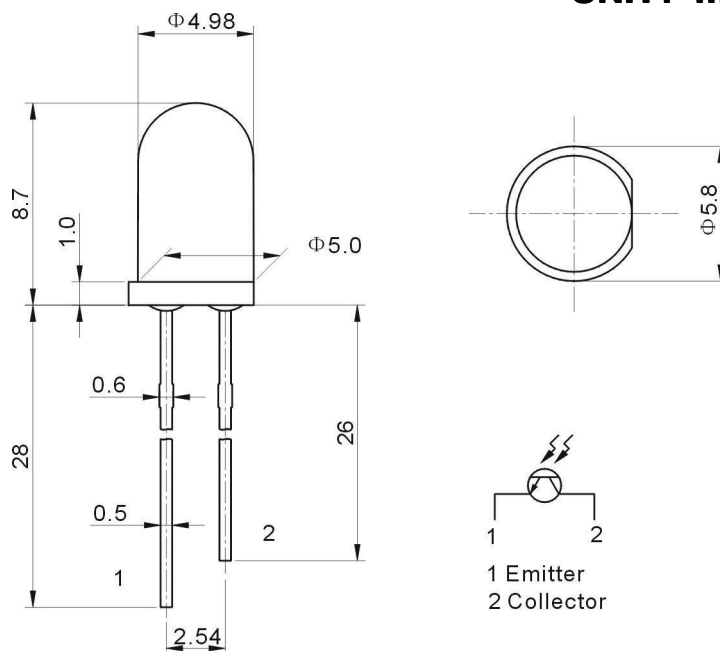


# F5 接收管产品规格书

Part No.:

UNIT: mm



NOTE: TOLERANCE +0.5mm

Parameter	Symbol	MIN.	TYP.	MAX.	UNIT	TEST CONDITION
Reverse dark current	$I_{CEO}$			100	nA	$V_{CE}=10V$
C-E Saturation Voltage	$V_{CE(Sat)}$			300	mV	$I_C=5mA$ $I_B=1mA$
Light Current	$I_c(on)$	200		1500	uA	$V_{CE}=10V$ $I_c=1mA$
Rise Time(10%to90%)	$t_r$		15		uS	$V_{ce}=5V$ $I_c=1mA$
Fail Time(90%to10%)	$t_j$		15		uS	$R_L=100ohms$
Wavelength of Peak Sensitivity	$\lambda_p$		940		nm	
Range of Spectral Bandwidth	$\lambda_{0.5}$	700		1200	nm	
Collector-Emitter Voltage	$BV_{CEO}$	40				$I_{CE}=500uA$
Collector-Base Voltage	$BV_{CBO}$	50				$I_{CB}=50uA$
Emitter- Base Voltage	$BV_{EBO}$	6				$I_{EB}=50uA$
Emitter-Collector Voltage	$BV_{ECO}$	5				$I_{EC}=50uA$
Collector Current	$I_C$		20		mA	
C-Power dissipation	$P_C$		100		mW	

■ ABSOLUTE MAXIMUM RATINGS: ( $T_a=25^{\circ}C$ )

■ OPERATING TEMPERATURE:  $-25^{\circ}C$  TO  $+85^{\circ}C$

# F5 接收管产品规格书

■ LEAD SOLDERING TEMPERATURE: 260°C FOR 5 SECONDS