

广州市晶彩光电器材厂

3MM 黑色红外线接收管

产品型号: **UPT204B**

◇ Absolute Maximum Ratings at : (Ta=25°C) (极限参数)

Parameter (参数)	Symbol (符号)	Rating (参数)	Units (单位)
Collector-Emitter Voltage	Vceo	20	V
Emitter_Collector_Voltage	Veco	5	V
Collector Current	Ic	20	mA
Operating Temperature	Topr	-25 to 85	°C
Storage Temperature	Tstg	-40 to 85	°C
Lead Soldering Temperature	Tsol	260	°C
Power Dissipation at(or below) 25°C Free Air Temperature	PC	75	mW

Note:*1:Soldering time \leq 5 seconds

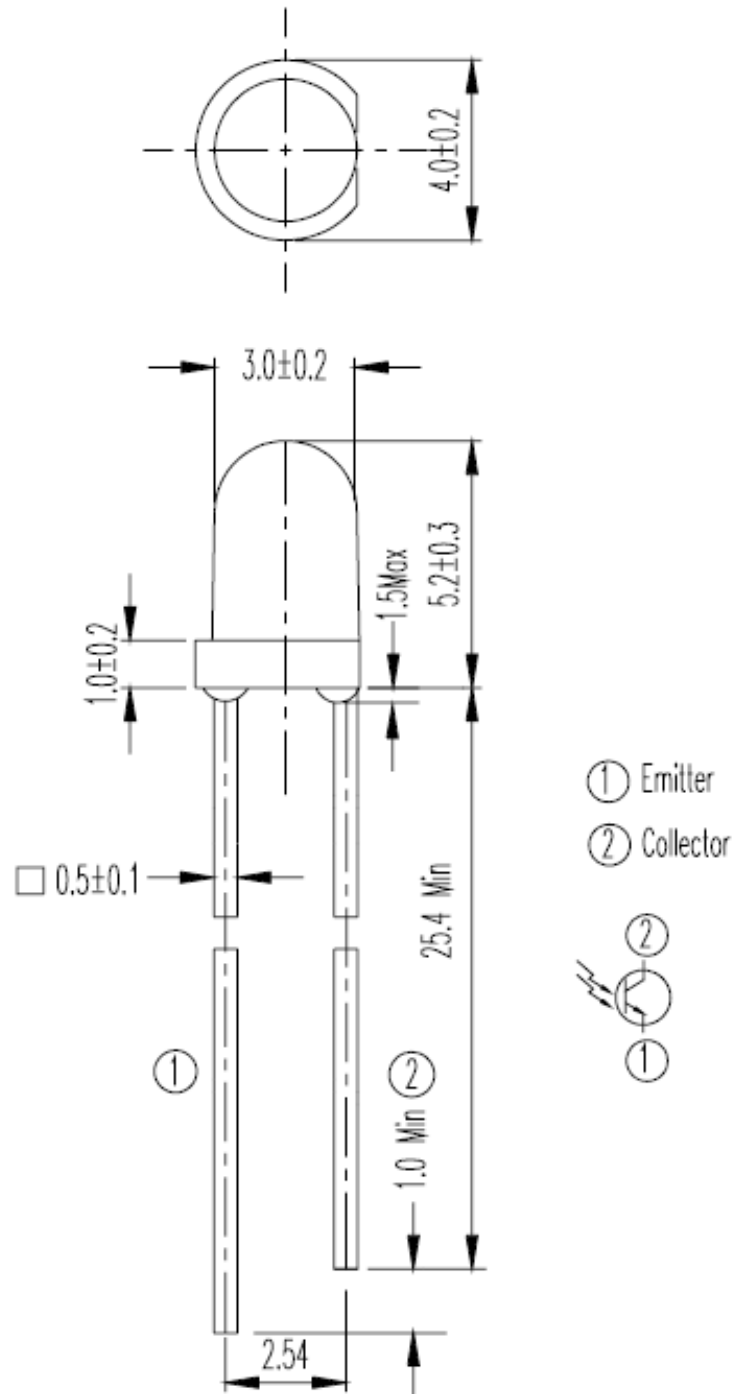
◇ Electronic Optical Characteristics:

Parameter (参数)	Symbol (符号)	Min. (最小值)	Typ. (中间值)	Max. (最大值)	Units (单位)	Condition (测试条件)
Rang Of Spectral Bandwidth	λ 0.5	-	840	1100	nm	-
Wavelength of Peak Sensitivity	λ p	-	940	-	nm	-
Collector-Emitter Breakdown Voltage	BVceo	30	-	-	V	Ic=100 μ A Ee=0mW/c m ²
Emitter - Collector Breakdown Voltage	BVEco	5	-	-	V	IE=100 μ A Ee=0mW/c m ²
Collector-Emitter Saturation Voltage	Vce(sat)	-	-	0.4	V	Ic=2mA Ee=1mW/c m ²
Rise Time	tr	-	15	-	μ S	Vce=5V Ic=1mA RL=1000 Ω
Fall Time	tf	-	15	-	μ S	Vce=5V Ic=1mA RL=1000 Ω
Collector Dark Current	Iceo	-	-	100	nA	Ee=0mW/c m ² Vce=20V
On State Collector Current	Ic(on)	0.7	2.0	-	mA	Ee=1mW/c m ² Vce=5V

3MM 黑色红外线接收管

产品型号: UPT204B

Package Dimensions



Notes: 1. All dimensions are in millimeters
2. Tolerances unless dimensions ± 0.25 mm