

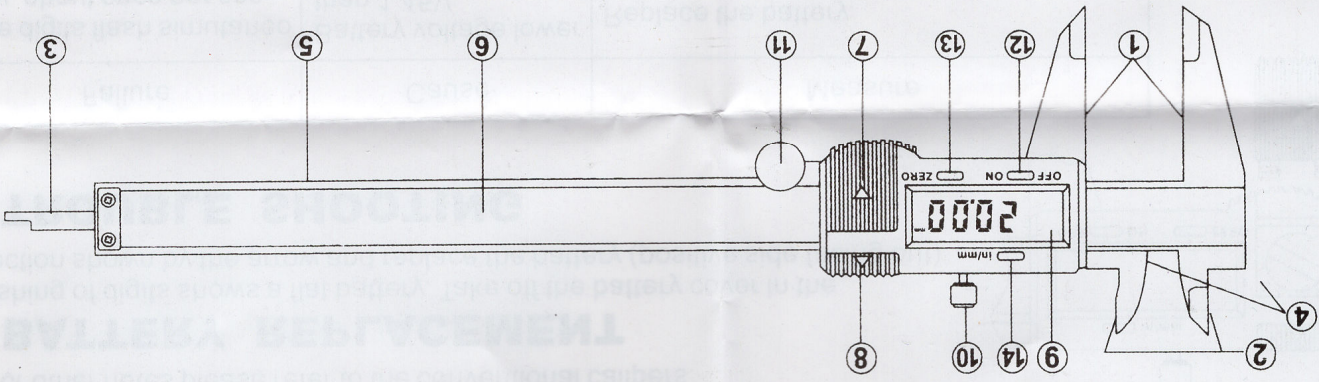
# ELECTRONIC DIGITAL CALIPER

## ● TECHNICAL SPECIFICATIONS

Measuring range: 0-150mm/0-6in, 0-200mm/0-8in, 0-300mm/0-12in.  
 Resolution: 0.01mm/0.0005in.  
 Accuracy:  $\pm 0.02\text{mm}/0.001\text{in}$  ( $< 100\text{mm}$ ).  
 $\pm 0.03\text{mm}/0.001\text{in}$  ( $< 100-200\text{mm}$ ).  
 $\pm 0.04\text{mm}/0.0015\text{in}$  ( $< 200-300\text{mm}$ ).  
 Repeatability: 0.01mm/0.0005in.  
 Max measuring speed: 1.5m/sec, 60in/sec.  
 Measuring system: Linear capacitive measuring system.  
 Display: LCD display.  
 Power: One silver oxide battery 1.55V, type SR44.  
 capacity: 180mAh.  
 Working temperature: 5°C-40°C/41 to 104 degree F.  
 Influence of humidity: Not important under 80% of relative humidity.

## ● NOMENCLATURE

- 1. Outside measuring faces
- 2. Inside measuring faces
- 3. Depth measuring blade
- 4. Step measuring faces
- 5. Beam
- 6. Main scale
- 7. Battery compartment lid
- 8. Output connector
- 9. Display(LCD)
- 10. Slider clamp screw
- 11. Thumb roller(depending on the model)
- 12. Power ON/OFF switch
- 13. ZERO switch
- 14. Inch/mm conversion switch



## ● APPLICATIONS

1. PREPARATIONS:
  - (1). Slider can be removed only after the locking screw (No.10 item of the Nomenclature) is loosened.
  - (2). Wipe clean all the measuring faces and caliper bar. No organic solutions are allowed.
  - (3). Check to see if all the buttons, switches, and LCD display respond well.
2. BASIC MEASURING METHODS:
  - (1). Loosen the locking screw.
  - (2). Switch the unit on with a press on "ON" button. Then select the unit system needed by pressing Inch/Metric