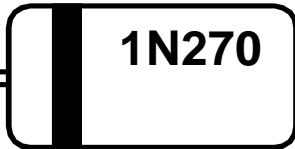


Gold Bonded



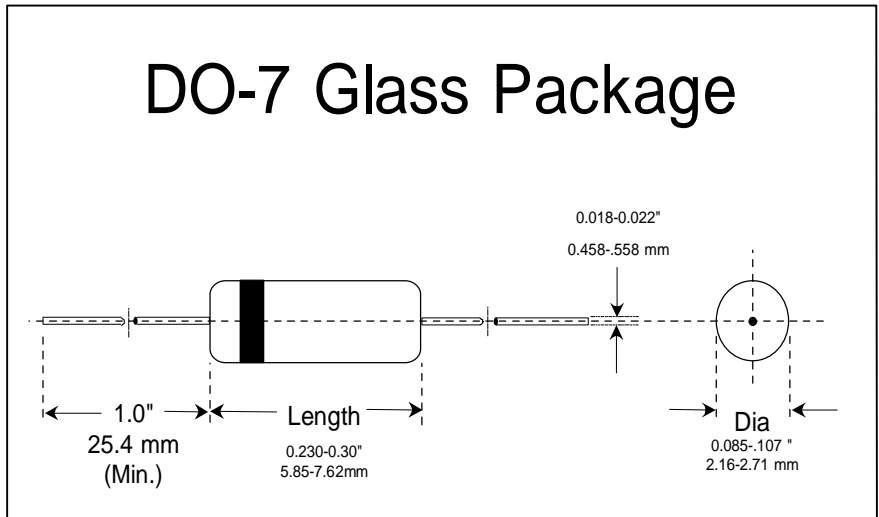
Germanium Diodes

Optimized for Radio Frequency Response

Can be used in many AM, FM and TV-IF applications, replacing point contact devices.

Applications

- AM/FM detectors
- Ratio detectors
- FM discriminators
- TV audio detectors
- RF input probes
- TV video detectors



Features

- Lower leakage current
- Flat junction capacitance
- High mechanical strength
- At least 1 million hours MTBF
- BKC's Sigma-Bond™ plating for problem free solderability

Absolute Maximum Ratings at T_{amb} = 25 °C

Parameter	Symbols	Min.	Max.	Units
Peak Inverse Voltage	PIV	**	100	Volts
Surge Current , t = 1 Second	I _{FSM}		0.5	Amps
Average Rectified Forward Current	I _O		40	mA
Peak Operating Current	I _{OS}		325	mA
Operating and Storage Temperatures	T _{J & STG}	-65	+90	°C

Electrical Characteristics at T_{amb} = 25 °C

Parameter	Test Conditions	Symbols	Min.	Typ.	Max.	Units
Forward Voltage Drop	I _F = 200 mA	V _F			1.00	Volts
Breakdown Voltage @ I _R = 1.0 mA		PIV	100			Volts
Reverse Leakage	V _R = 50 Volts	I _R		**	100	µA
Junction Capacitance	f = 1MHz, V _R = 1 volt	C _J		0.8		pF