



GO-LINK TECHNOLOGY CO., LTD.

高林科技有限公司

PRODUCT SPECIFICATION

產品規格書

PRODUCT: 2.4GHz A/V Tx Module

MODEL NO.: MAV-24T2703

DATE: _____

Customer (客戶): _____

Approved (承認): _____

5.4 Output Characteristic (TX/RF)

1	Tx Power	25	27	29	dBm	
2	Audio Sub-carrier Level		27		dBc	Video and Audio Index
3	Audio Sub-carrier (L Channel)		6.0		MHz	
3	Audio Sub-carrier (R Channel)		6.5		MHz	

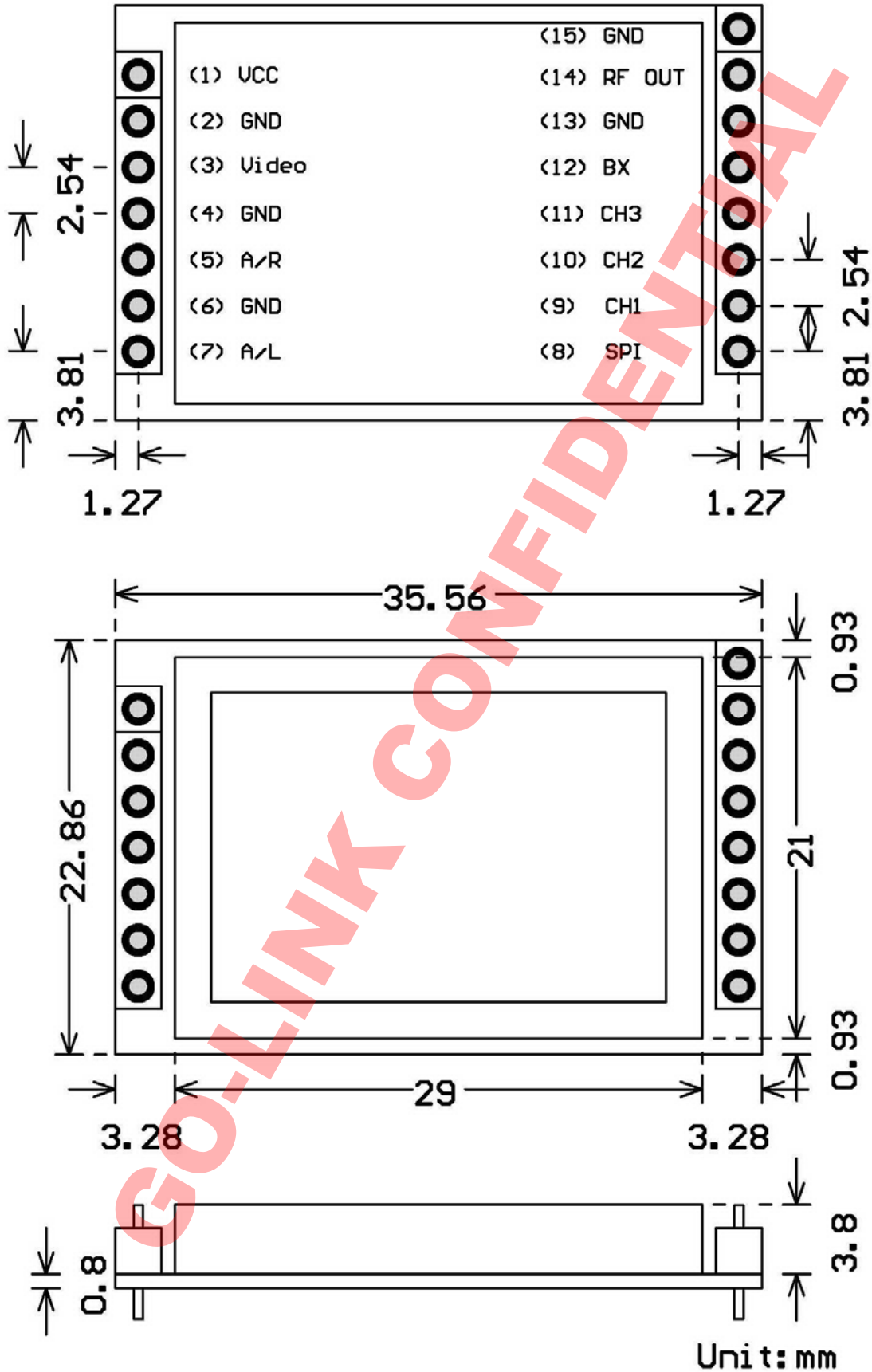
6. Pin Assignment

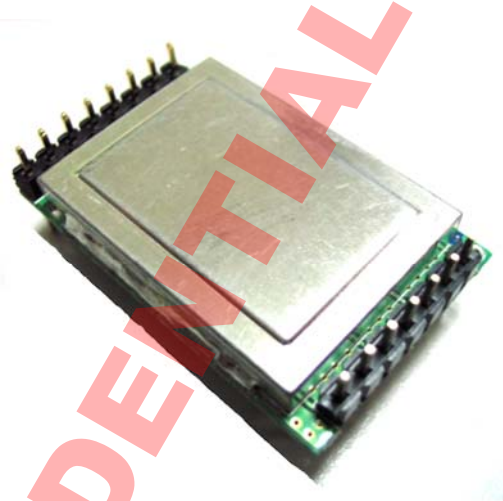
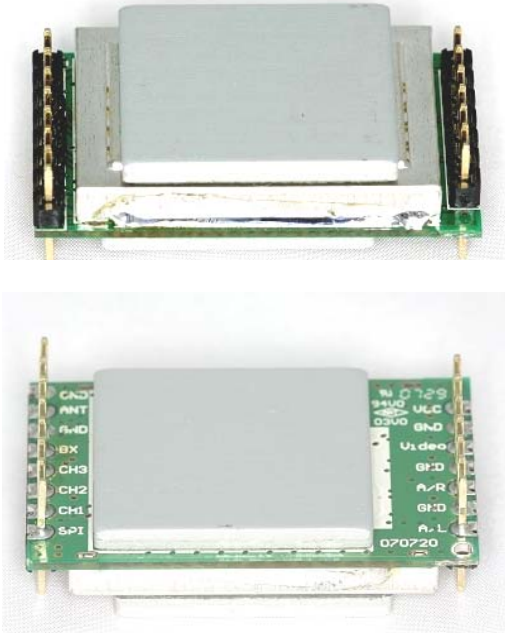
Pin No.	Pin Name	Pin No.	Pin Name
1	5V	9	CH1 / SPI_CLK
2	GND	10	CH2 / SPI_LE
3	VIDEO	11	CH3 / SPI_DATA
4	GND	12	BX
5	A/R	13	GND
6	GND	14	RF OUT
7	A/L	15	GND
8	SPI_SE		

7. Channel Selection (PIN 8 SPI & PIN12 BX tie to GND)

Transmission Frequency	Contents
CH1 : 2414MHz	PIN 9 tie to GND, PIN 10 and PIN 11 open
CH2 : 2432MHz	PIN 10 tie to GND, PIN 11 and PIN 9 open
CH3 : 2450MHz	PIN 11 tie to GND, PIN 9 and PIN 10 open
CH4 : 2468MHz	Keep PIN 9, PIN 10 and PIN 11 open

8. Dimension





GO-LINK CONFIDENTIAL