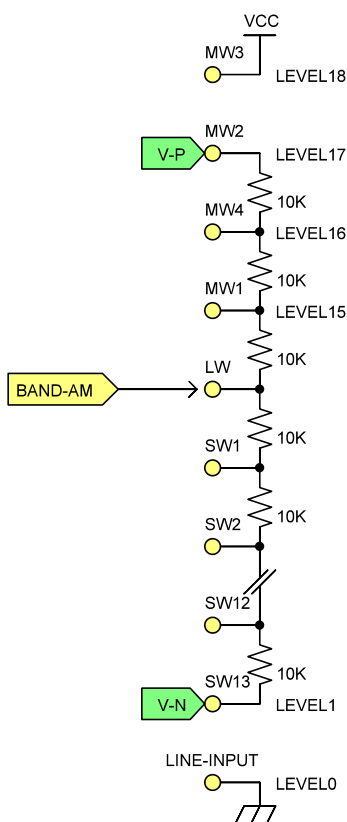
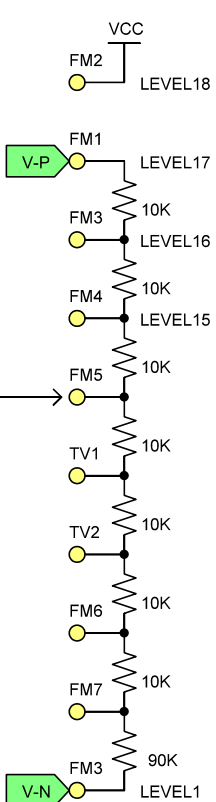


MODE 1

| LEVEL | BAND |
|-------|------|
| 18 | MW3 |
| 17 | MW2 |
| 16 | MW4 |
| 15 | MW1 |
| 14 | LW |
| 13 | SW1 |
| 12 | SW2 |
| 11 | SW3 |
| 10 | SW4 |
| 9 | SW5 |
| 8 | SW6 |
| 7 | SW7 |
| 6 | SW8 |
| 5 | SW9 |
| 4 | SW10 |
| 3 | SW11 |
| 2 | SW12 |
| 1 | SW13 |
| 0 | LINE |



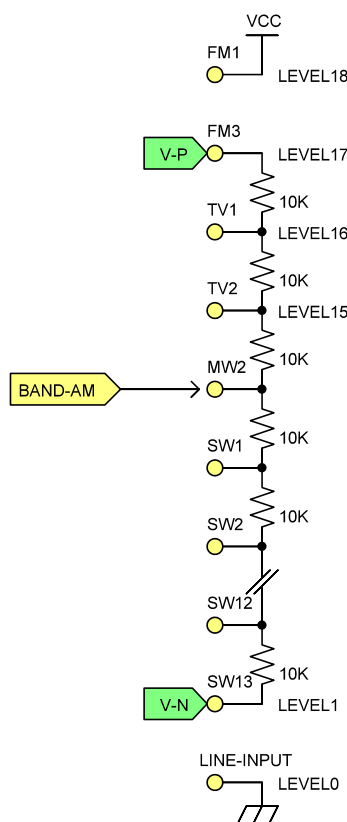
BAND-FM



| LEVEL | BAND |
|-------|------|
| 18 | FM2 |
| 17 | FM1 |
| 16 | FM3 |
| 15 | FM4 |
| 14 | FM5 |
| 13 | TV1 |
| 12 | TV2 |
| 11 | FM6 |
| 10 | FM7 |
| 9 | FM1 |
| 8 | FM1 |
| 7 | FM1 |
| 6 | FM1 |
| 5 | FM1 |
| 4 | FM1 |
| 3 | FM1 |
| 2 | FM1 |
| 1 | FM1 |
| 0 | FM3 |

MODE 2

| LEVEL | BAND |
|-------|------|
| 18 | FM1 |
| 17 | FM3 |
| 16 | TV1 |
| 15 | TV2 |
| 14 | MW2 |
| 13 | SW1 |
| 12 | SW2 |
| 11 | SW3 |
| 10 | SW4 |
| 9 | SW5 |
| 8 | SW6 |
| 7 | SW7 |
| 6 | SW8 |
| 5 | SW9 |
| 4 | SW10 |
| 3 | SW11 |
| 2 | SW12 |
| 1 | SW13 |
| 0 | LINE |



BAND-FM

| | MHz |
|-----|----------|
| FM1 | 87-108 |
| FM2 | 76-108 |
| FM3 | 70-93 |
| FM4 | 76-90 |
| FM5 | 64-88 |
| FM6 | 87.3-109 |
| FM7 | 86.5-109 |

| | MHz |
|-----|---------------|
| TV1 | 56.25-91.75 |
| TV2 | 174.75-222.25 |

| | KHz | WIDTH | STEP |
|-----|----------|-------|------|
| MW1 | 520-1710 | 5K | 5K |
| MW2 | 522-1620 | 3K | 9K |
| MW3 | 520-1710 | 5K | 10K |
| MW4 | 520-1730 | 5K | 10K |

| | KHz | WIDTH | STEP |
|----|---------|-------|------|
| LW | 150-285 | 3K | 3K |

| | MHz |
|------|-----------|
| SW2 | 3.2-4.1 |
| SW3 | 4.7-5.6 |
| SW4 | 5.6-6.4 |
| SW5 | 6.8-7.6 |
| SW6 | 9.2-10.0 |
| SW7 | 11.4-12.2 |
| SW8 | 13.5-14.3 |
| SW9 | 15.0-15.9 |
| SW10 | 17.4-17.9 |

| | MHz |
|------|-----------|
| SW11 | 18.9-19.7 |
| SW12 | 21.4-21.9 |

| | |
|------|------------------|
| SW1 | SW3+SW4+SW5+SW6 |
| SW13 | SW7+SW8+SW9+SW10 |

| | WIDTH | STEP |
|----------|-------|------|
| SW1-SW13 | 5K | 5K |

Änderungen

| Datum | Name | gez.: | Datum | Name |
|-------|------|-------|-------|------|
| | | | | |
| | | | | |
| | | | | |

| Bezeichnung | Blatt |
|--------------------------------|-------|
| | |
| Zeichnungs-Nr.: | von |
| BAND SETUP FOR DSP6969/DSP4926 | |

