

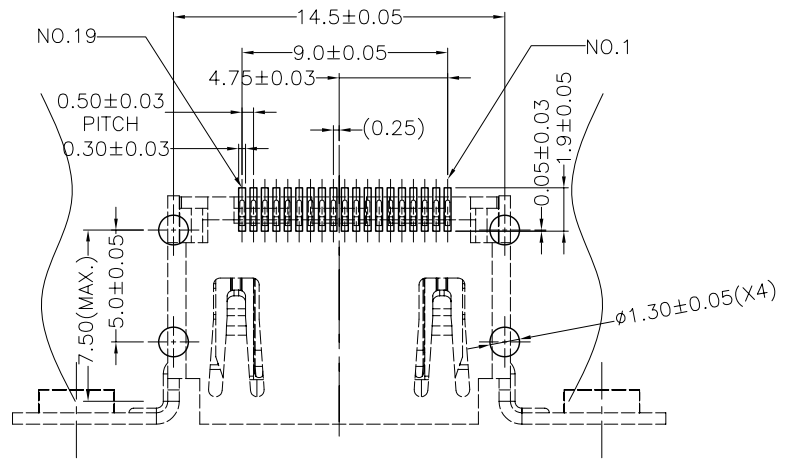
REV	ZONE	LTR	DESCRIPTION	DATE	REVISER	APPD

RoHS Compliant

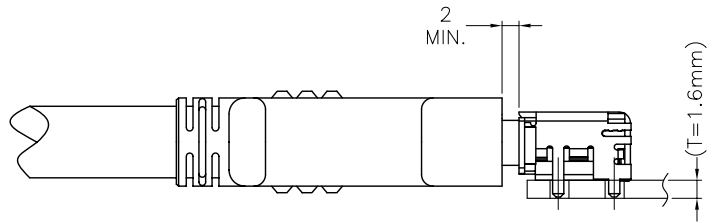
MATERIAL	TOLERANCE UNSPECIFIED ± ±0.15 ±0.20 ±0.30 ANGLE ± 1°	淮洋有限公司 HUAI YANG CO., LTD.	
		SCALE 1:1	UNIT mm
FINISH	DRAWN <i>Hixing</i> 09/13.06	NAME	
	DESIGNER <i>Hixing</i> 09/13.06	HDMI RECEPTACLE SMT TYPE WITH WING LOW PROFILE	
	CHECKED Winder	SHEET 1/2	
APPROVED Peterhu	DRAWING NO. R-S151U-50	REV 1.0	

REV	ZONE	LTR	DESCRIPTION	DATE	REVISER	APPD

A
B
C
D
E
F



RECOMMENDED PCB LAYOUT (THICKNESS=1.6±0.15mm)



REFERENCE MOUNT DIMENSION

REMARKS:

- 1. MATERIAL:
 - 1.1 HOUSING: HIGH TEMPERATURE THERMOPLASTIC UL 94V-0 RATED
 - 1.2 CONTACT: COPPER ALLOY
- 2. PLATING:
 - 2.1 CONTACT: GOLD PLATED OVER NICKEL ON CONTACT AREA AND 100u" MIN. TIN PLATED OVER NICKEL ON SOLDER TAILS
 - 2.2 SHELL: SOLDERABLE NICKEL PLATED OR TIN PLATED

RoHS Compliant

ORDERING INFORMATION

51 U 019 S - 3 * W N - B
 (1) (2) (3) (4) (5) (6) (7) (8)

- 1. SERIES NO. 51: HDMI CONNECTOR
- 2. TAIL CONSTRUCTION TYPE U: SMT TYPE
- 3. NUMBER OF PIN 019: 19 POSITIONS
- 4. CONTACT & CONNECTIONG TYPES: S: SOCKET
- 5. : COLOR CODES 3: BLACK
- 6. CONTACT PLATING: 0: GOLD FLASH OVER NICKEL 2:15u" GOLD OVER NICKEL 3: 30u" GOLD OVER NICKEL
- 7. SHELL CONSTRUCTION W: LOW PROFILE, WITH WING AND SPRING LATCH SHELL TAIL IS THROUGH HOLE TYPE
- 8. SHELL PLATING N: SOLDERABLE NICKEL PLATED T: TIN PLATED 4: GOLD FLASH PLATED

MATERIAL 	TOLERANCE UNSPECIFIED ± ±0.15 ±0.20 ±0.30	淮 洋 有 限 公 司 HUIYANG CO., LTD.		
	ANGLE ± 1°		SCALE 1:1	UNIT mm
FINISH 	DRAWN <i>Hixing</i> 09/13.06	NAME HDMI RECEPTACLE SMT TYPE WITH WING LOW PROFILE		SHEET 2/2
	DESIGNER <i>Hixing</i> 09/13.06			
	CHECKED Winder			
	APPROVED Peterhu	DRAWING NO. R-S151U-50		REV 1.0