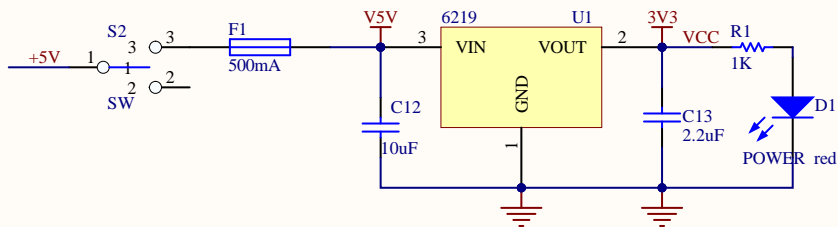
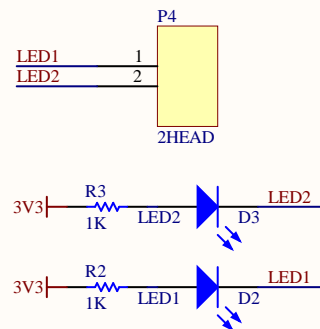


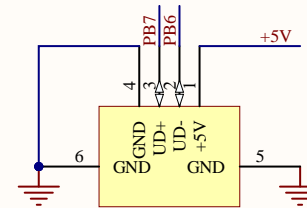
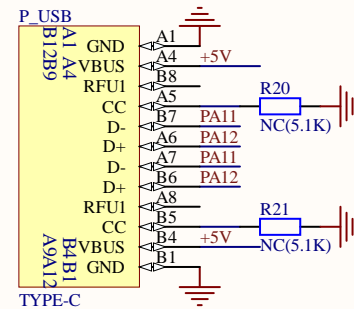
# POWER



# LED

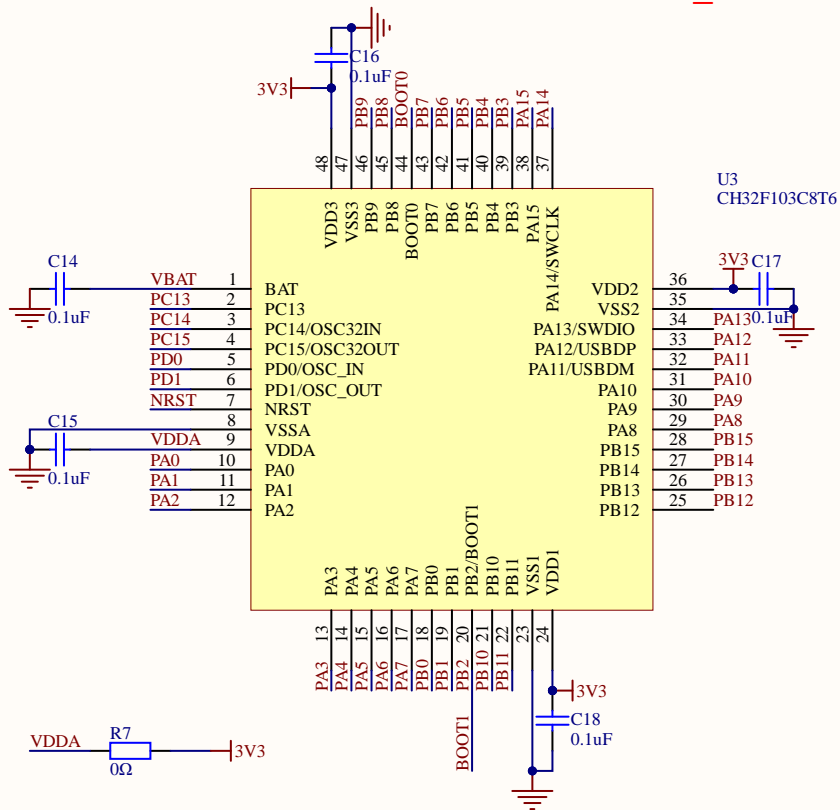


# USB

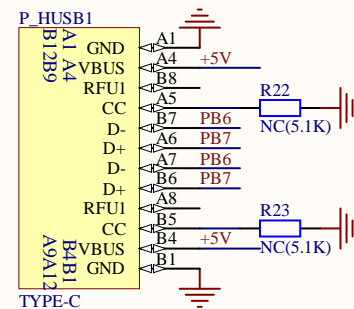
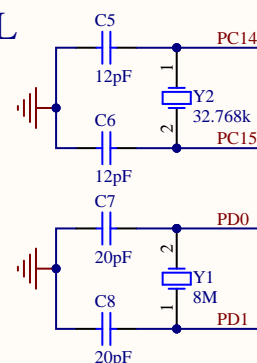


# MCU

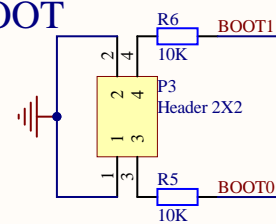
## CH32F103C\_MINI



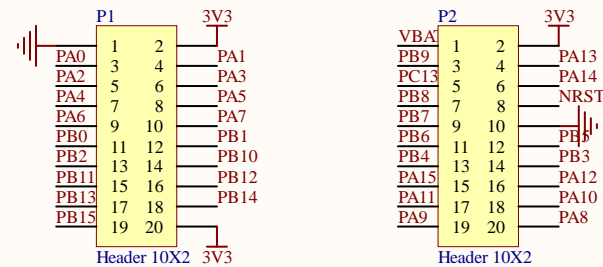
# XTAL



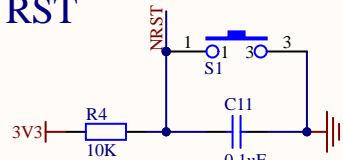
# BOOT



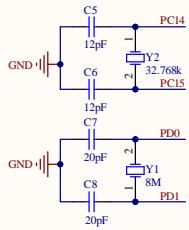
# PIN



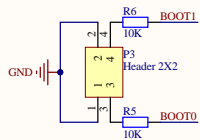
# RST



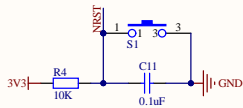
XTAL



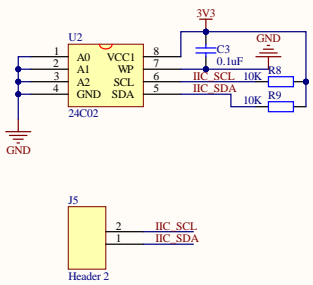
BOOT



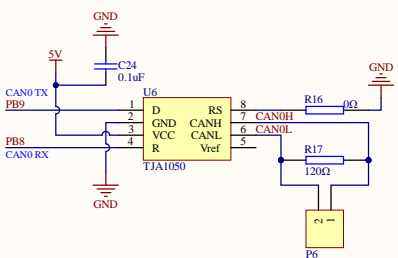
RST



EEPROM

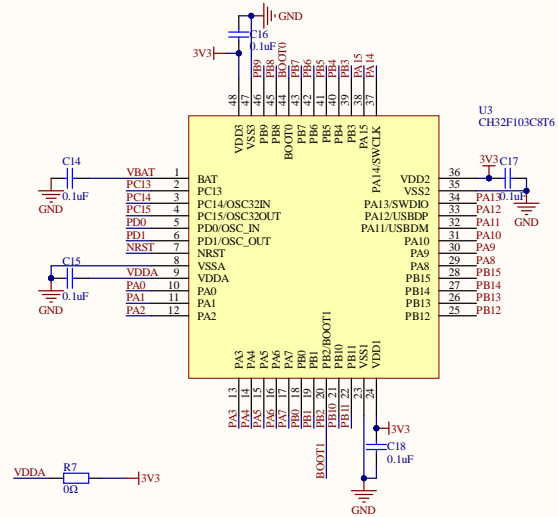


CAN

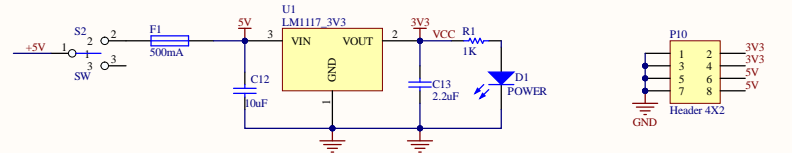


MCU

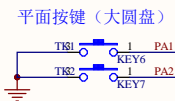
CH32F103C\_EVT



POWER



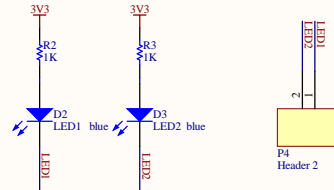
TOUCHKEY



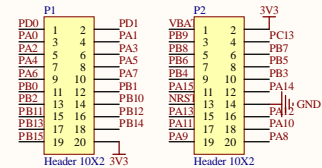
SWD



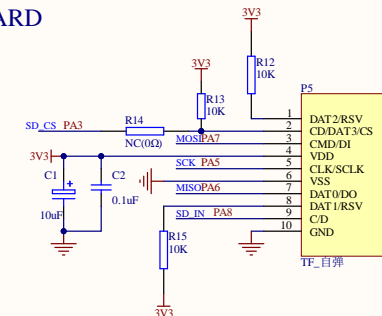
LED



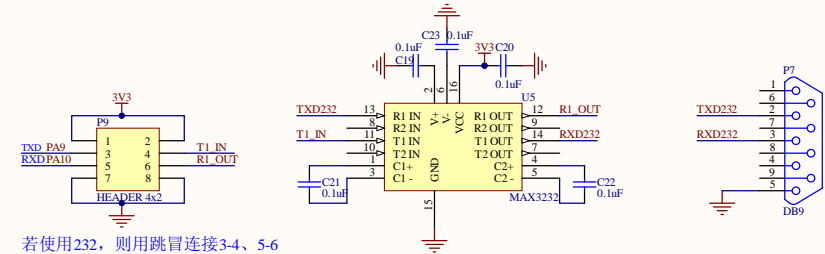
PIN



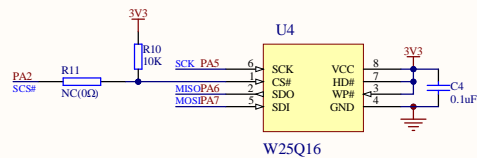
TF CARD



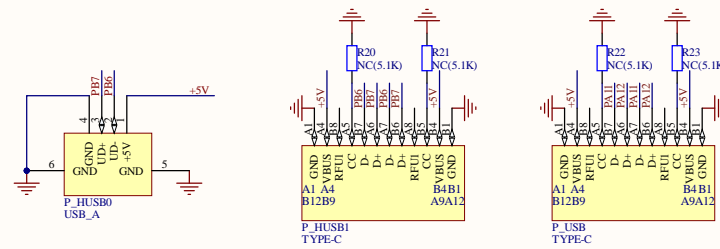
UART



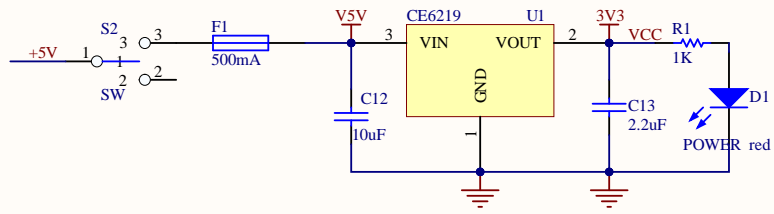
SPI FLASH



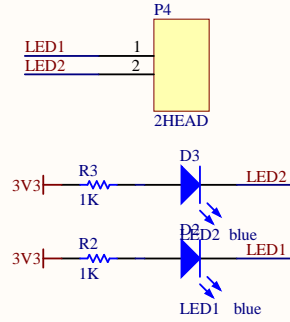
USB



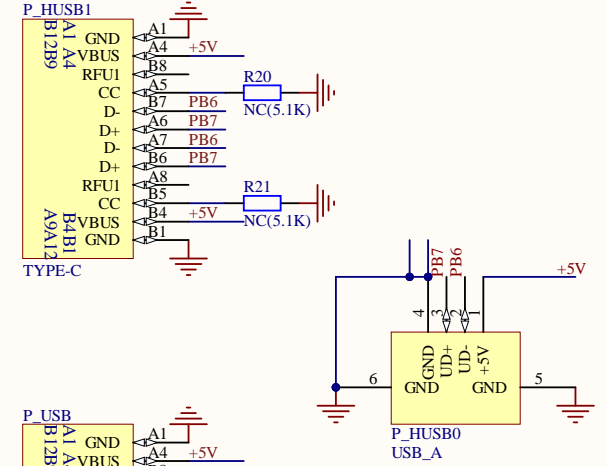
# POWER



# LED

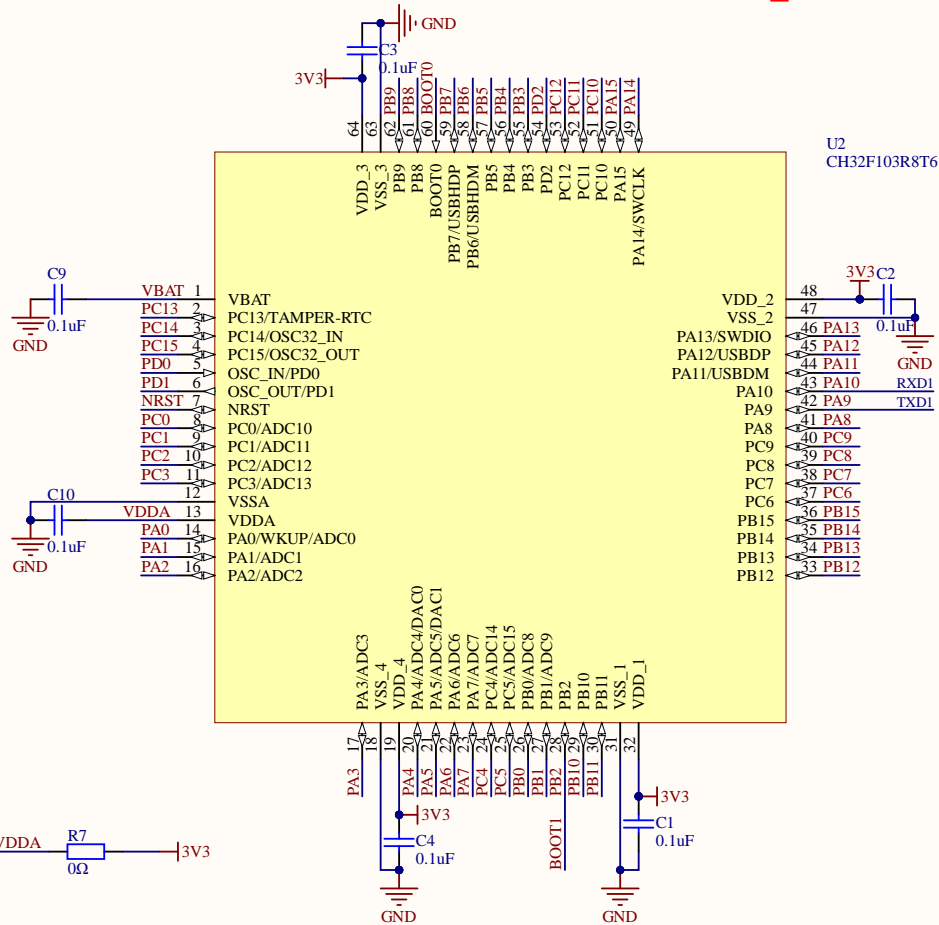


# USB

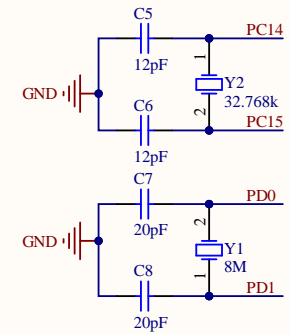


# MCU

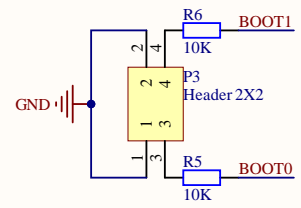
## CH32F103R\_MINI



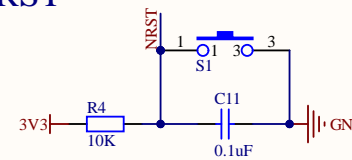
# XTAL



# BOOT



# RST



# PIN

