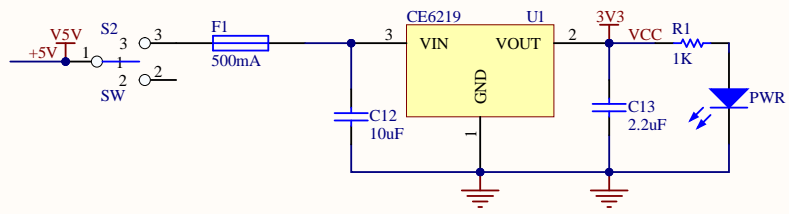
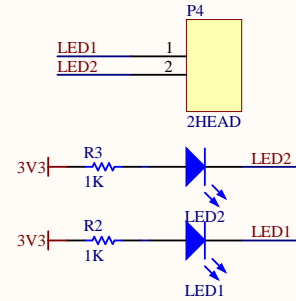


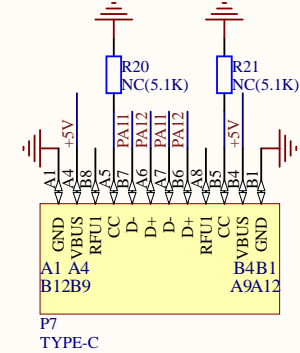
POWER



LED

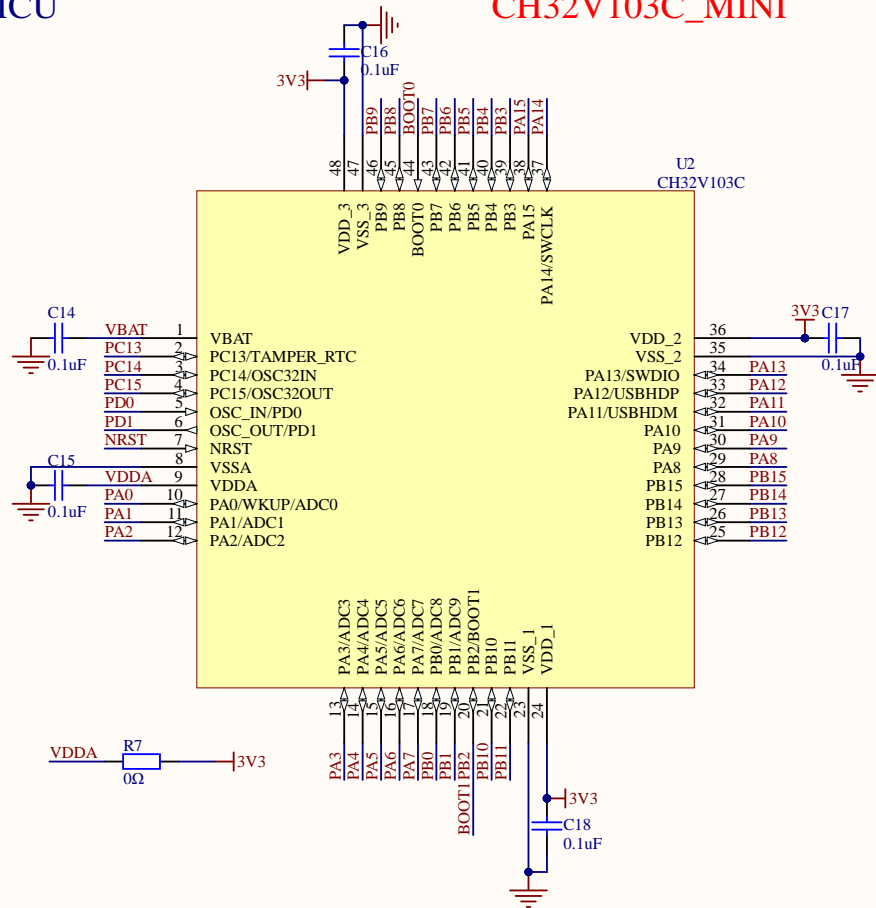


USB

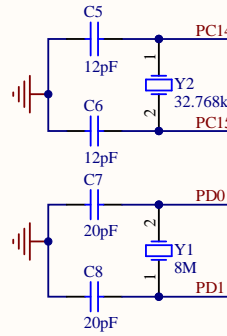


MCU

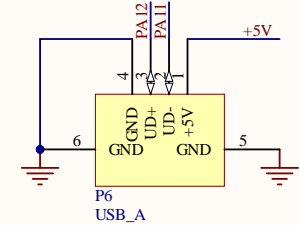
CH32V103C_MINI



XTAL

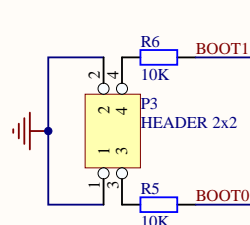


USB

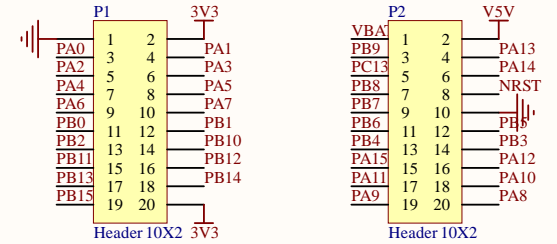


BOOT

BOOT

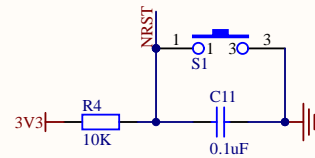


PIN

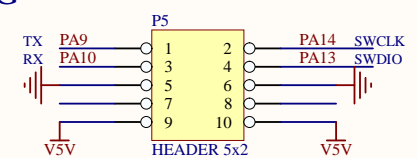


RST

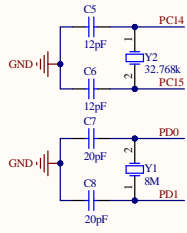
RST



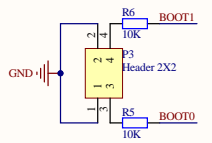
DEBUG



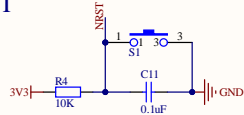
XTAL



BOOT

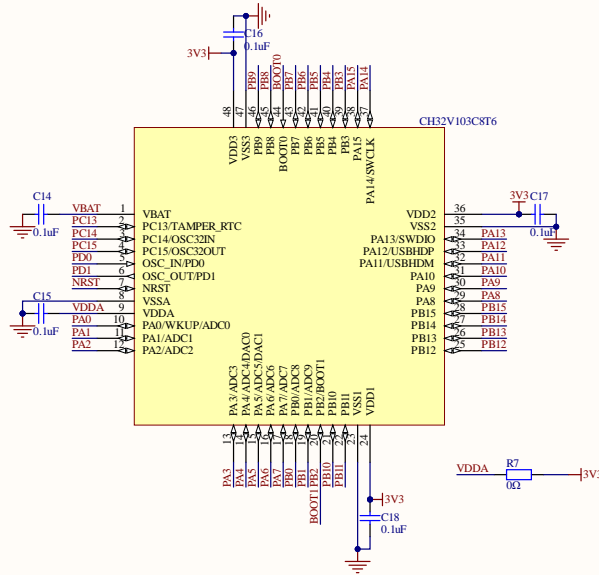


RST

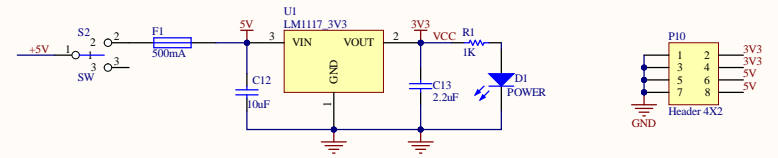


MCU

CH32V103C_EVT

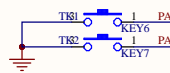


POWER

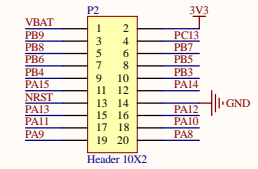


TOUCHKEY

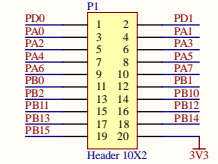
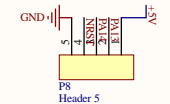
平面按键（大圆盘）



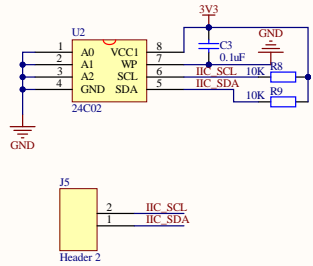
PIN



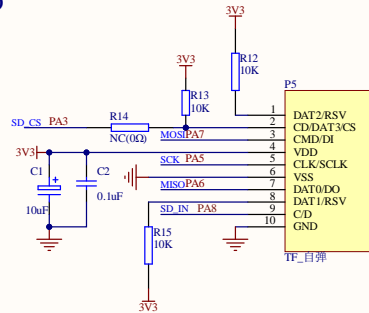
DEBUG



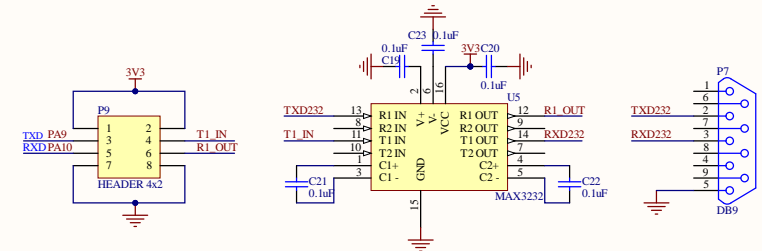
EEPROM



TF CARD

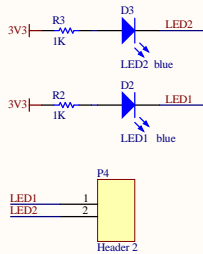


UART

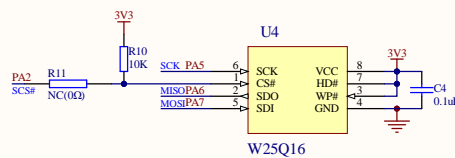


若使用232, 则用跳冒连接3-4、5-6

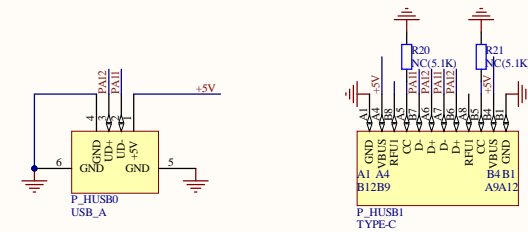
LED



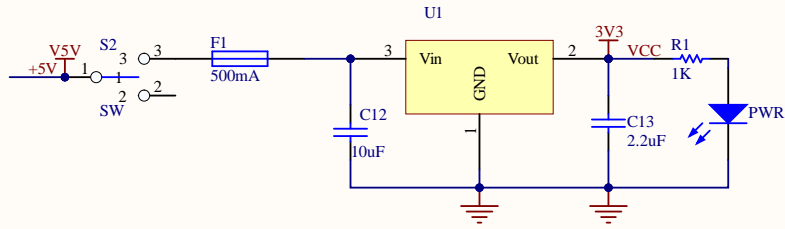
SPI FLASH



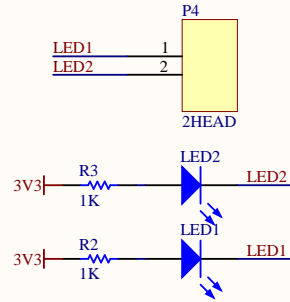
USB



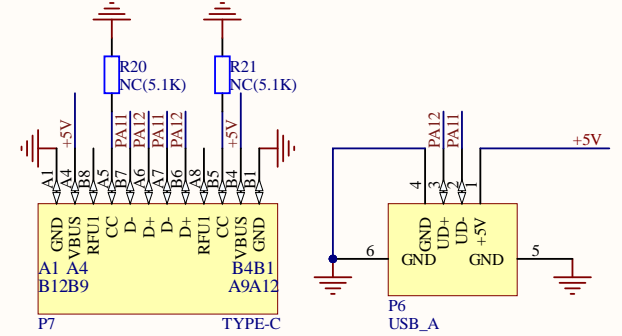
POWER



LED

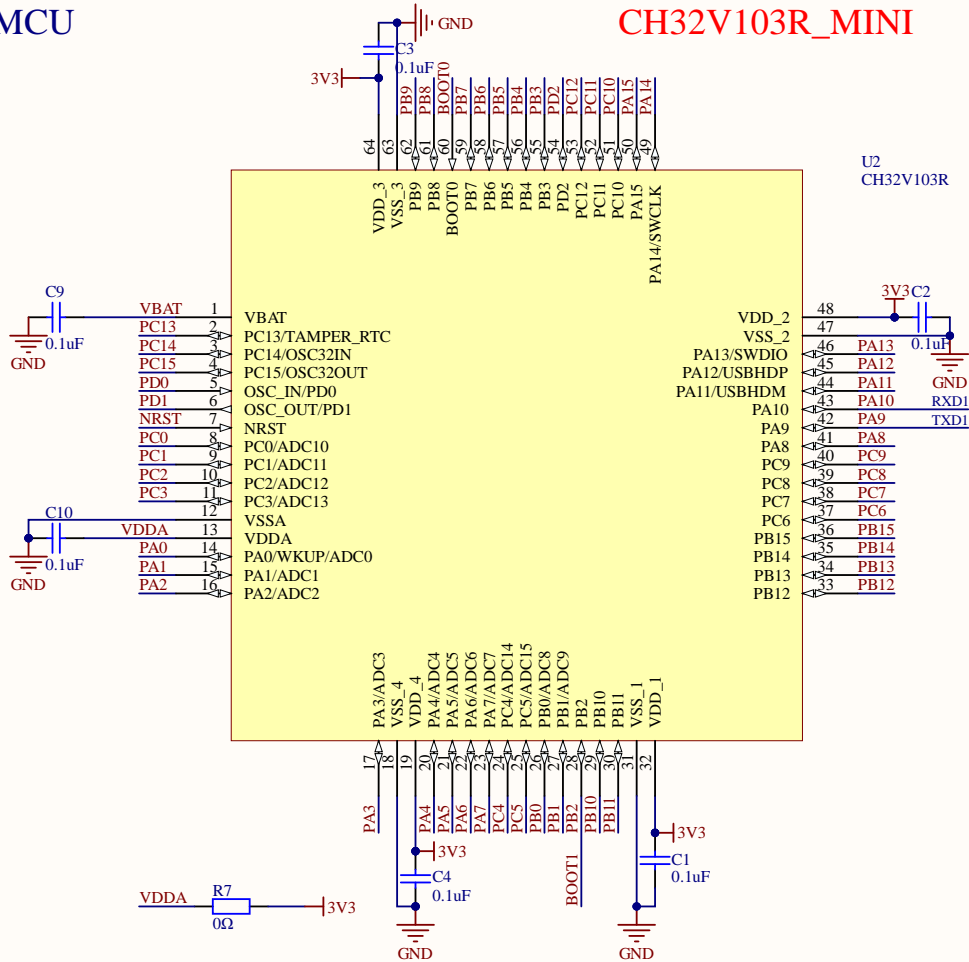


USB

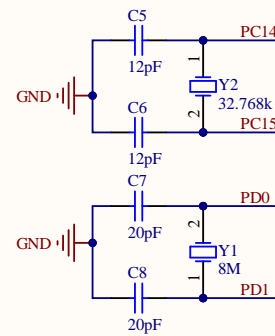


MCU

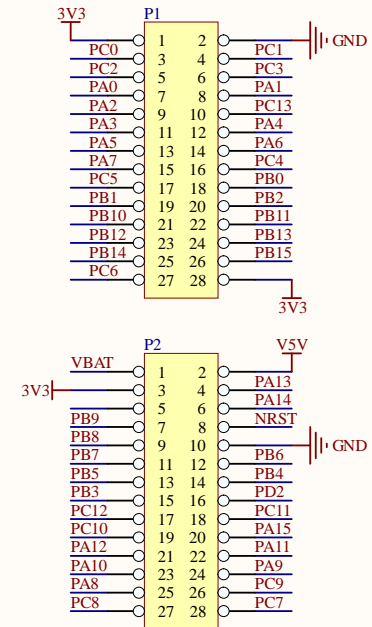
CH32V103R_MINI



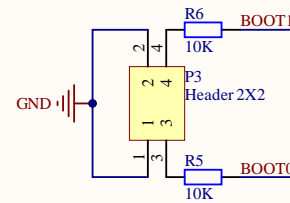
XTAL



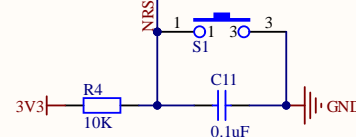
PIN



BOOT



RST



DEBUG

