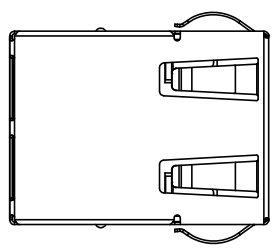
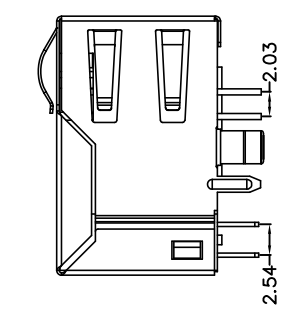


1	2	3	4	5	6	7	8
REV.	ECN / DESCRIPTION	BY	DATE				
A0	NEW	MQ.Qu	2017.10.23				
A1	Modify the LED lamp pin position	MQ.Qu	2017.10.25				

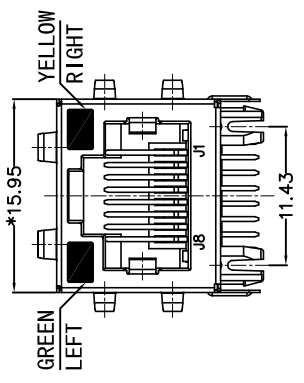
REACH & RoHS COMPLIANT



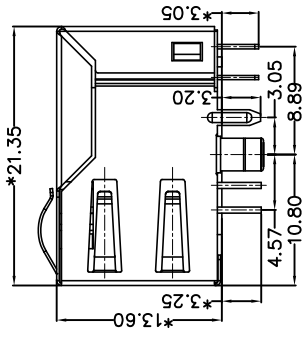
TOP VIEW



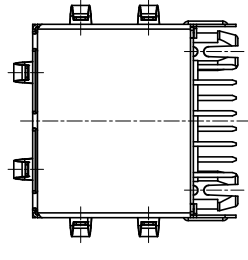
LEFT SIDE VIEW



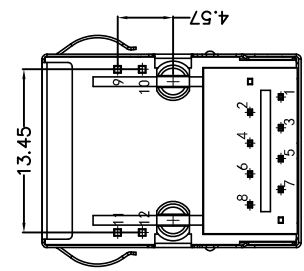
FRONT VIEW



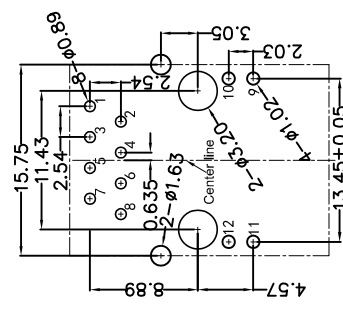
RIGHT SIDE VIEW



BACK VIEW



BOTTOM VIEW



RECOMMENDED PCB LAYOUT VIEWED FROM COMPONENT SIDE

MATERIAL:

HOUSING : PA66,UL94V-0,BLACK.
 TERMINALS BRACKET: PA66,UL94V-0,BLACK.
 SHIELD: C2680,T=0.20MM,NICKEL PLATING ON ALL AREA.
 TERMINAL: PHOSPHOR BRONZE C5210,T=0.35MM,
 6U" GOLD PLATING ON CONTACT AREA.

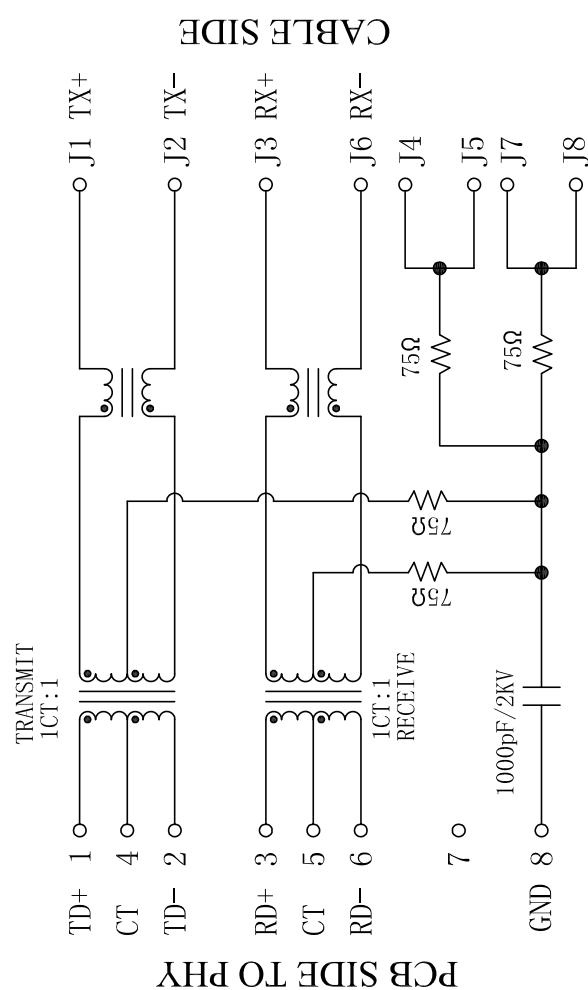
MECHANICAL:

DURABILITY : 750 CYCLES MIN.
 MATING FORCE : 30N MAX.
 OPERATING TEMPERATURE: -40°C~+85°C.
 STORAGE TEMPERATURE: -40°C~+85°C.
 ALL CRITICAL DIMENSIONS WITH "*"!

TITLE:	SIZE	UNITS	GENERAL TOLERANCES UNLESS SPECIFIED	APPROVED BY:
TAB-UP 1X1 100BASE	A4	MM[INCH]	UNLESS SPECIFIED	JP.Gong
PART NO:	SACLE	REV	X±0.35	CHECKED BY:
FC-SH105GYNL	1:1	A1	.X±0.30	TW.XU
REMARK:	SHEET		.XX±1.5°	DESIGNED BY:
	1/3		.XXX±1.0°	MQ.Qu

东莞市涪程电子科技有限公司
 DONG GUAN FU CHENG ELECTRONIC TECHNOLOGY Co., LTD

REV.	ECN / DESCRIPTION	BY	DATE
A0	NEW	MQ.Qu	2017.10.23
A1	Modify the LED lamp pin position	MQ.Qu	2017.10.25

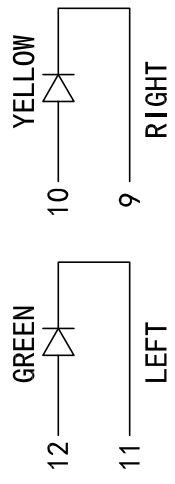


Electrical:

- Turn ratio: 1~2: J1~J2=1CT:1CT(±2%).
3~6: J3~J6=1CT:1CT(±2%).
- OCL: 350uH Min. at 100KHz 100mV 8mA DC.
- Insertion Loss: -1.0 dB Max 1~100MHz.
- Return loss: -20dB Min 1~10MHz;
-16dB Min 10~30MHz;
-12dB Min 30~60MHz;
-10dB Min 60~80MHz.
- Cross talk: -40dB Min 1~30MHz;
-35dB Min 30~60MHz;
-30dB Min 60~100MHz;
- CMR: -35dB Min 1~100MHz;
- Hi-Pot: 1500V AC & 2250V DC
6S 1mA PRI TO SEC

LED Specification

Standard LED Color	LED Wavelength	Forward(A)	Forward(V)
Green	568nm	20mA	1.8-2.8V
Yellow	585nm	20mA	1.8-2.8V



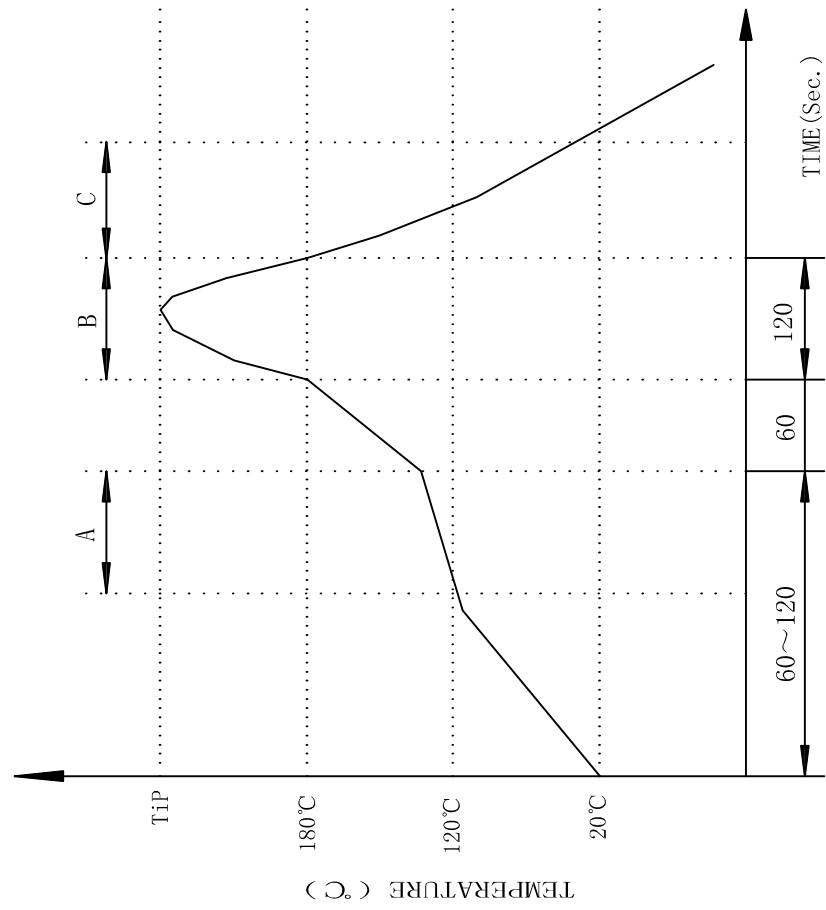
TITLE: TAB-UP 1X1 100BASE		UNITS MM[INCH]	GENERAL TOLERANCES UNLESS SPECIFIED	APPROVED BY: JP.Gong
PART NO.: FC-SH105GYNL	SACLE 1:1	REV A1	UNLESS SPECIFIED X±0.35 .X±0.30	CHECKED BY: TW.XU
REMARK:	SHEET 2/3		UNLESS SPECIFIED .XX±0.25 .XXX±1.0°	DESIGN BY: MQ.Qu

东莞市涪程电子科技有限公司
DONG GUAN FU CHENG ELECTRONIC TECHNOLOGY Co., LTD

REACH & RoHS
COMPLIANT

REACH & RoHS
COMPLIANT

PROFILE OF WAVE SOLDER



A.Preheating B.Soldering C.Gradual Cooling
 Tip temperature:260±5°C.
 Tip temperature time:5Sec Max.
 Tip melting point of Sn96.5/Ag3/Cu0.5:217°C.

Remarks: after wave soldering, the plastic positioning columns of the product which under the PCB will be slightly melted, but it won't affect its function.

REV.	ECN / DESCRIPTION	BY	DATE
A0	NEW	MQ.Qu	2017.10.23
A1	Modify the LED lamp pin position	MQ.Qu	2017.10.25

TITLE: TAB-UP 1X1 100BASE		SIZE A4	UNITS MM[INCH]	GENERAL TOLERANCES UNLESS SPECIFIED	APPROVED BY: JP.Gong
PART NO.: FC-SH105GYNL		SACLE 1:1	REV A1	x±0.35 .x°±3.0°	CHECKED BY: TW.XU
REMARK:		SHEET 3/3		.xx±0.25 .xxx±1.5° .xxx±1.0°	DESIGN BY: MQ.Qu

 东莞市浚程电子科技有限公司
 DONG GUAN FU CHENG ELECTRONIC TECHNOLOGY Co., LTD