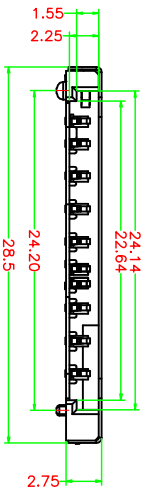
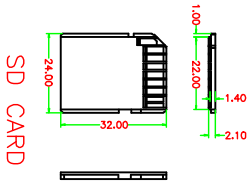
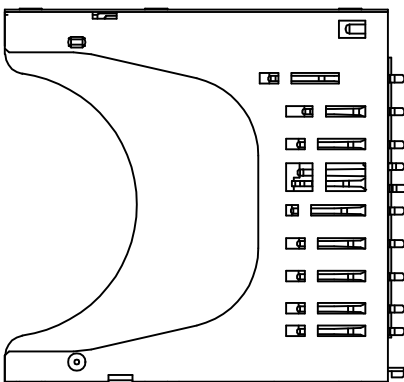
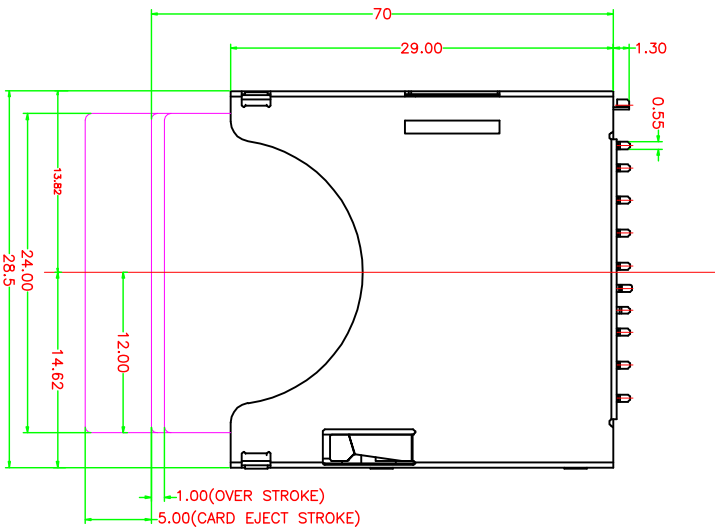
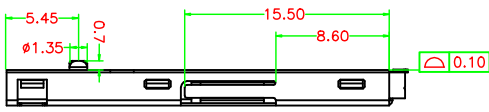
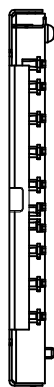


REV	ECN.NO	APP	DATE
-----	--------	-----	------



GENERAL TOLERANCE

X:±0.20	X:±.5°
.X:±0.10	.X:±2°
.XX:±0.05	.XX:±1°
.XXX:±0.01	.XXX:±0.5°

DWG NO.	
DRAWN: <b>wcy</b>	
CHK: <b>wcy</b>	
APP: <b>wcy</b>	
NAME: <b>SD PUSH卡座</b>	
PART NO.	
UNIT: <b>MM</b>	
SCALE: <b>1:1</b>	
DATE: <b>2018-12-1</b>	
3RD:	
SHEET <b>10F2</b>	

Autodesk 教育版产品制作