

A

B

C

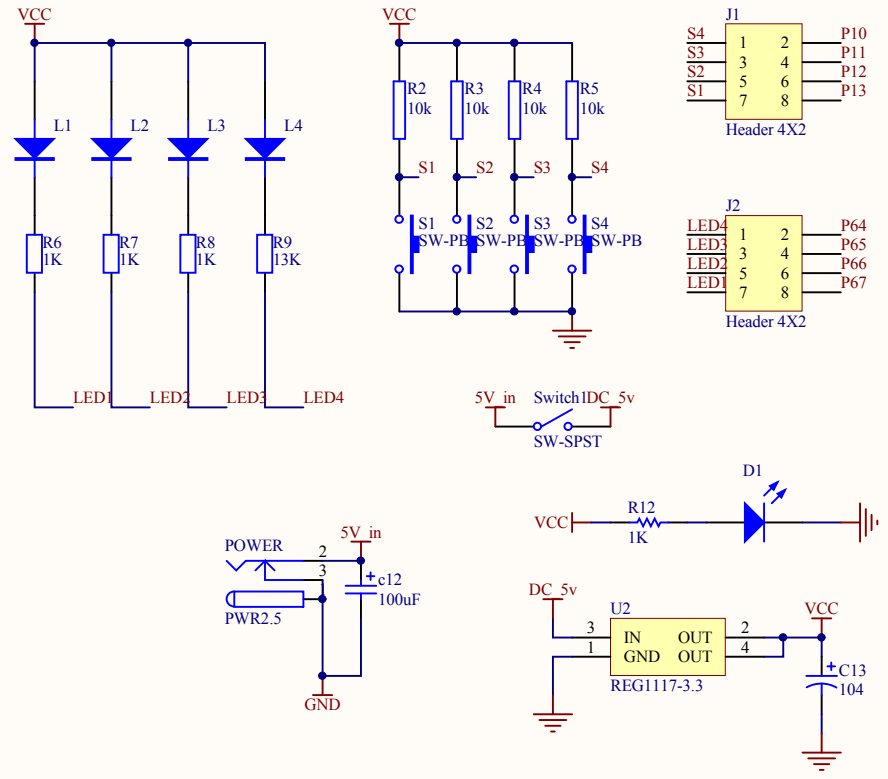
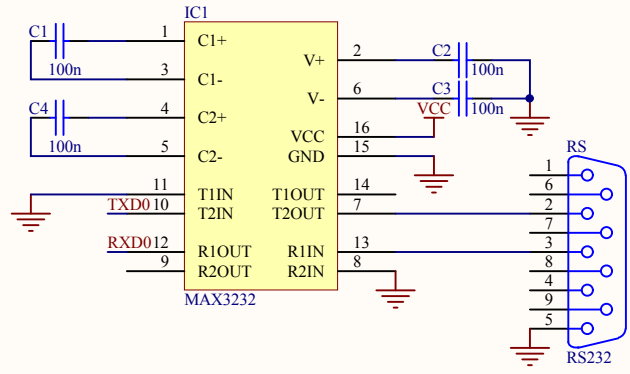
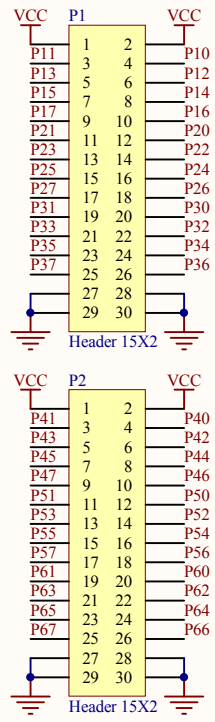
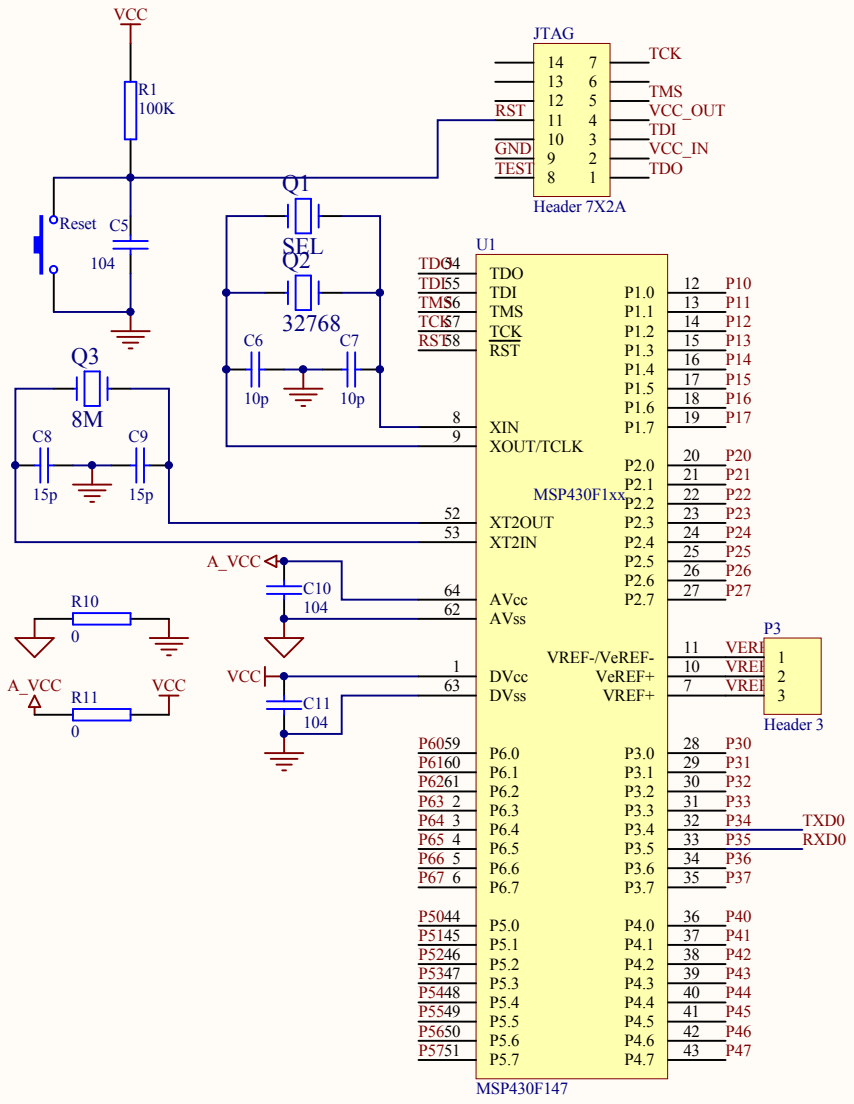
D

A

B

C

D



|       |                          |           |
|-------|--------------------------|-----------|
| Title |                          |           |
| Size  | Number                   | Revision  |
| A4    |                          |           |
| Date: | 2010-3-27                | Sheet of  |
| File: | D:\Temp\MSP430msp430.sch | Drawn By: |