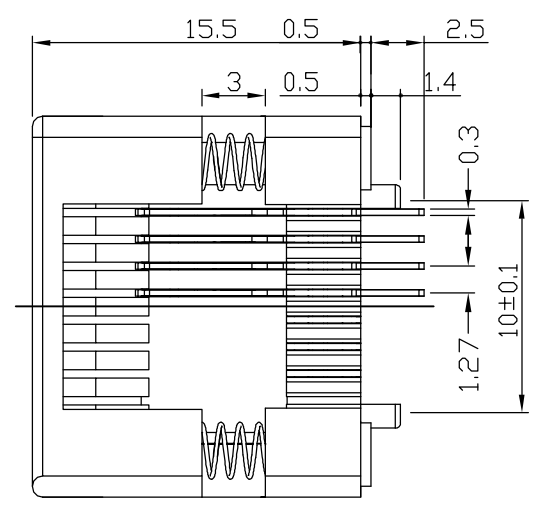
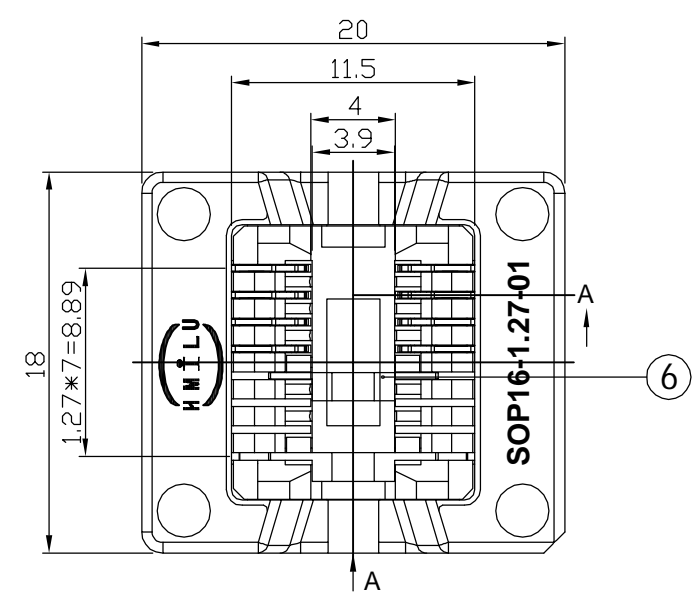
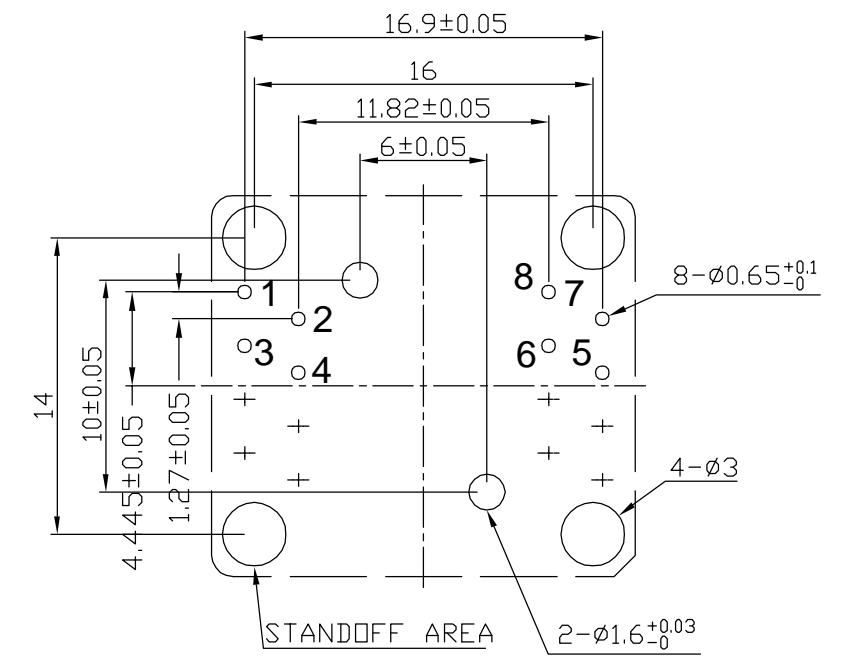


REVISION	DESCRIPTION	CHECK	APP	DATE	REV. NOTICE. NO
△1					
△2					
△3					

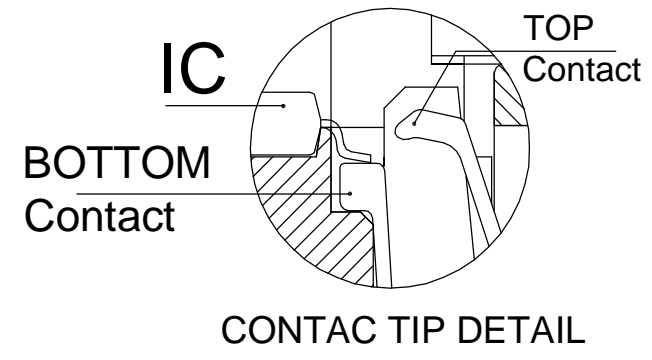
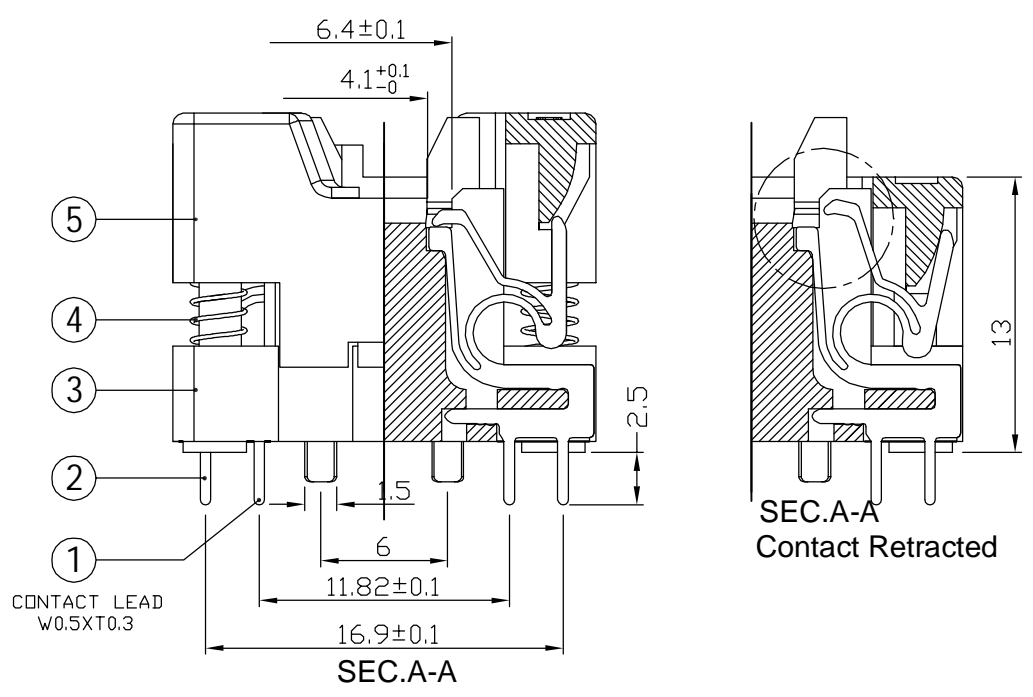


PCB PATTERN (TOP VIEW)



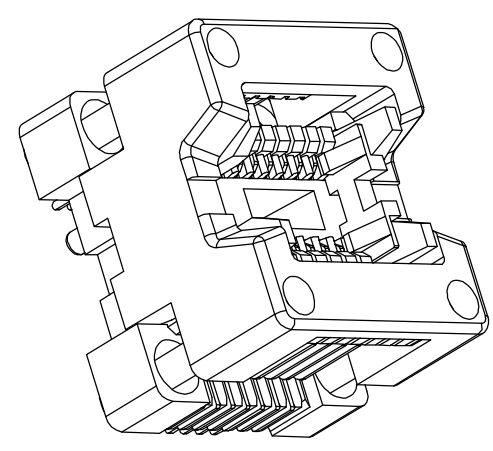
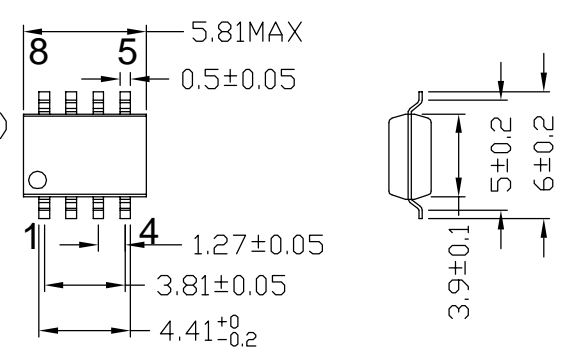
APPLICABLE IC

Insertion



PERFORMANCE

1. Insulation Resistance: 1000mΩ Min. At DC 500V
2. Dielectric Withstanding Voltage For 1 Minute At AC 700V
3. Contact Resistance 30mΩ MAX. at 10mA and 20mV MAX.(Initial)
4. Current Rating: 1A max.
5. Operation Temperature -55°C ~+175°C
6. Life Span 15,000 Times (Mechanical)
7. Operation Force 1.0 Kg MAX



No	Part Number	Name	Material	Q/ty	Note	TOLERANCE	PROJECTION	GENERAL TOLERANCES	±0.10	TITLE	SOP16-1.27 SOCKET
6	SDP-16-U01-003	ADAPTER	PEI/PES	1	BLACK			REV	A	CLASS	SOP8(16)-1.27-TP02NT
5	SDP-16-U01-002	COVER	PEI/PES	1	BLACK			SCALE:	1:1	DRW. NO	SOP-8/16-1.27-S02
4	30-B-4515X	SPRING	SUS	4	FOR COVER	X. ± 0.50	DIMENSION:	mm	DATE:		
3	SDP-16-U01-001	BASE	PEI/PES	1	BLACK	X.X ± 0.25	APP:		DATE:		
2	SDP-16-MSBR-02	CONTACT	BeCu	4	Au PLATING	X.XX ± 0.10	CHECK:		DATE:		
1	SDP-16-MSBR-01	CONTACT	BeCu	4	Au PLATING	X.XXX ± 0.05	DEGK:	ENG03	DATE:	20180512	

