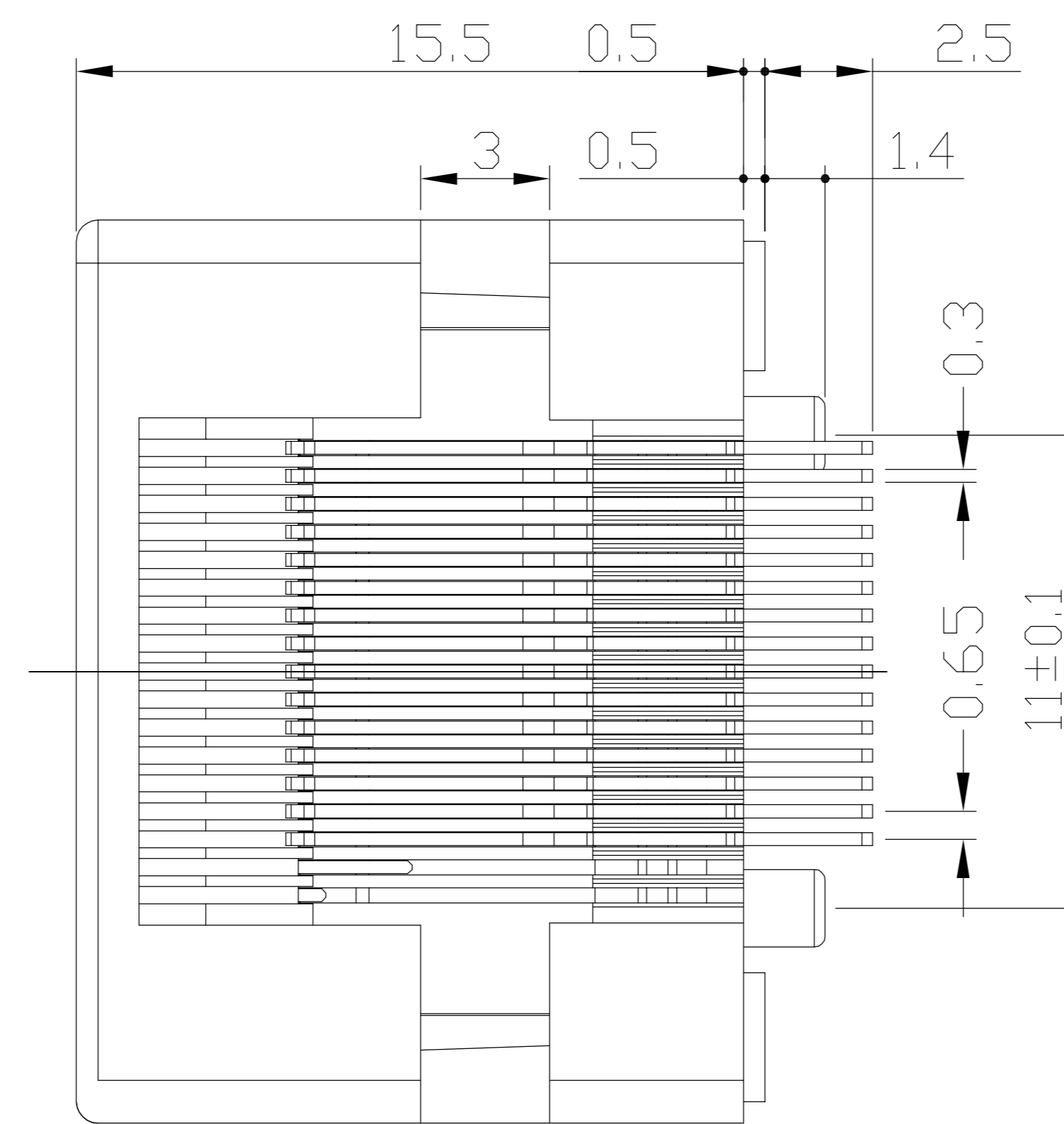
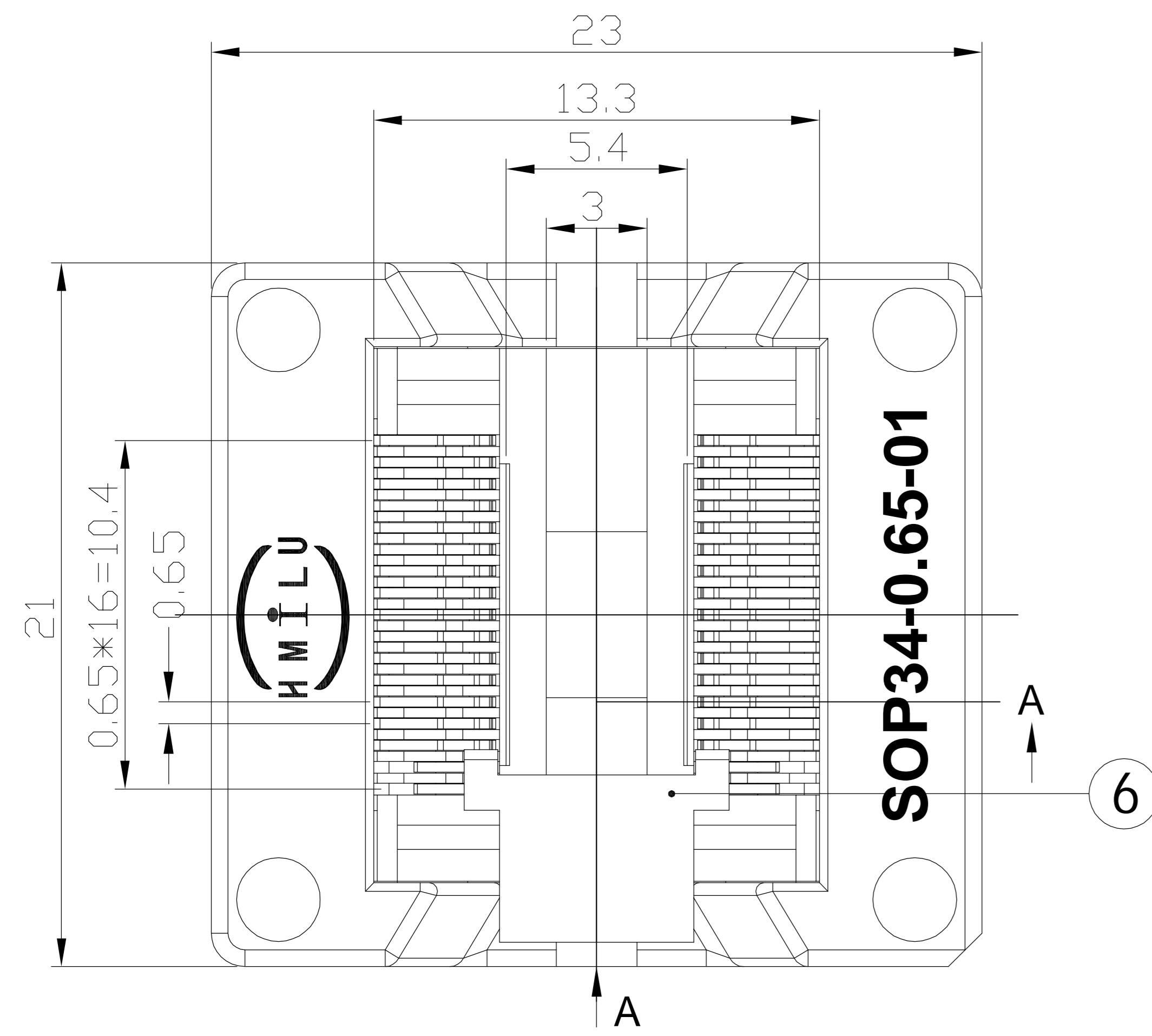
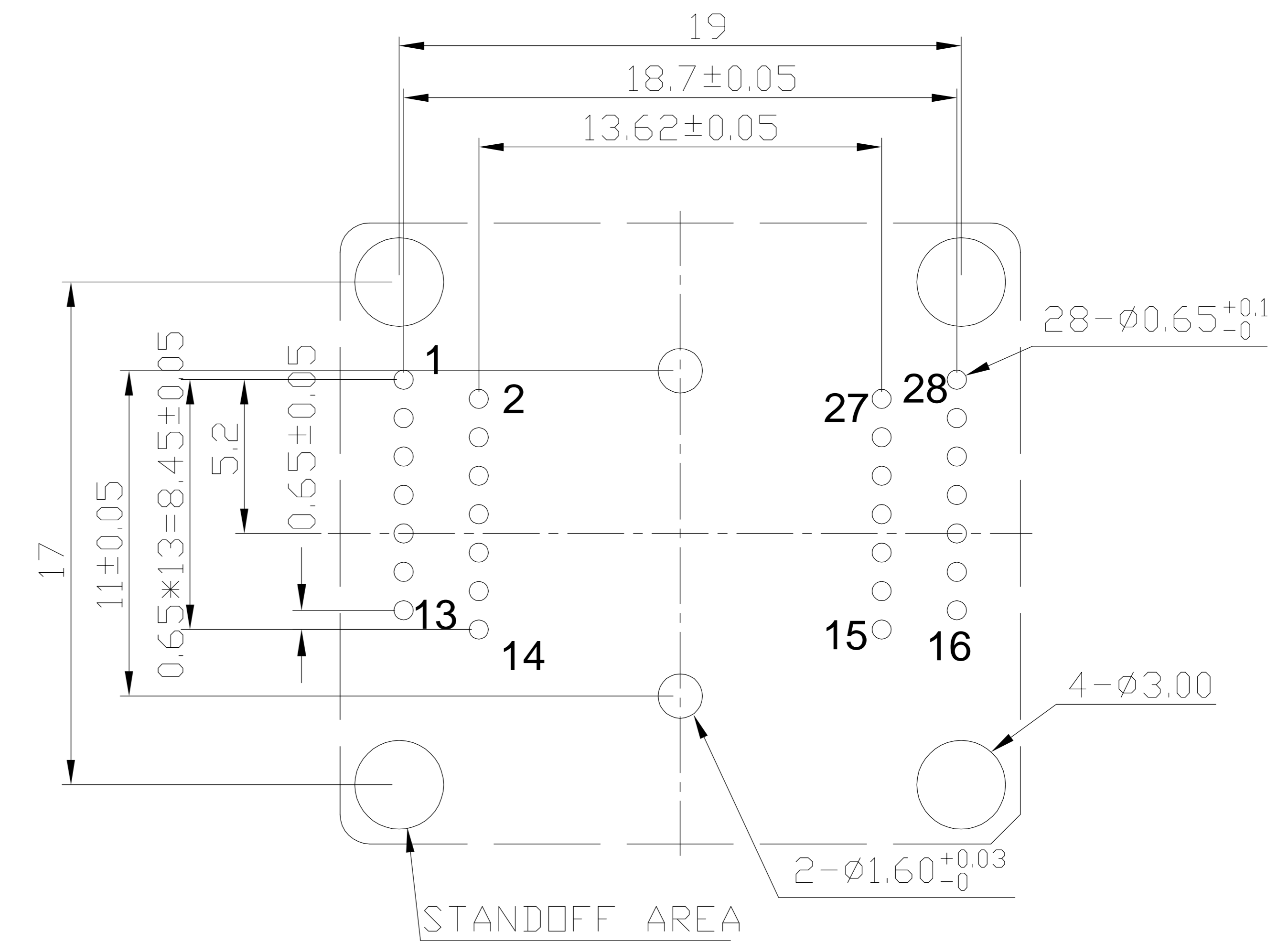


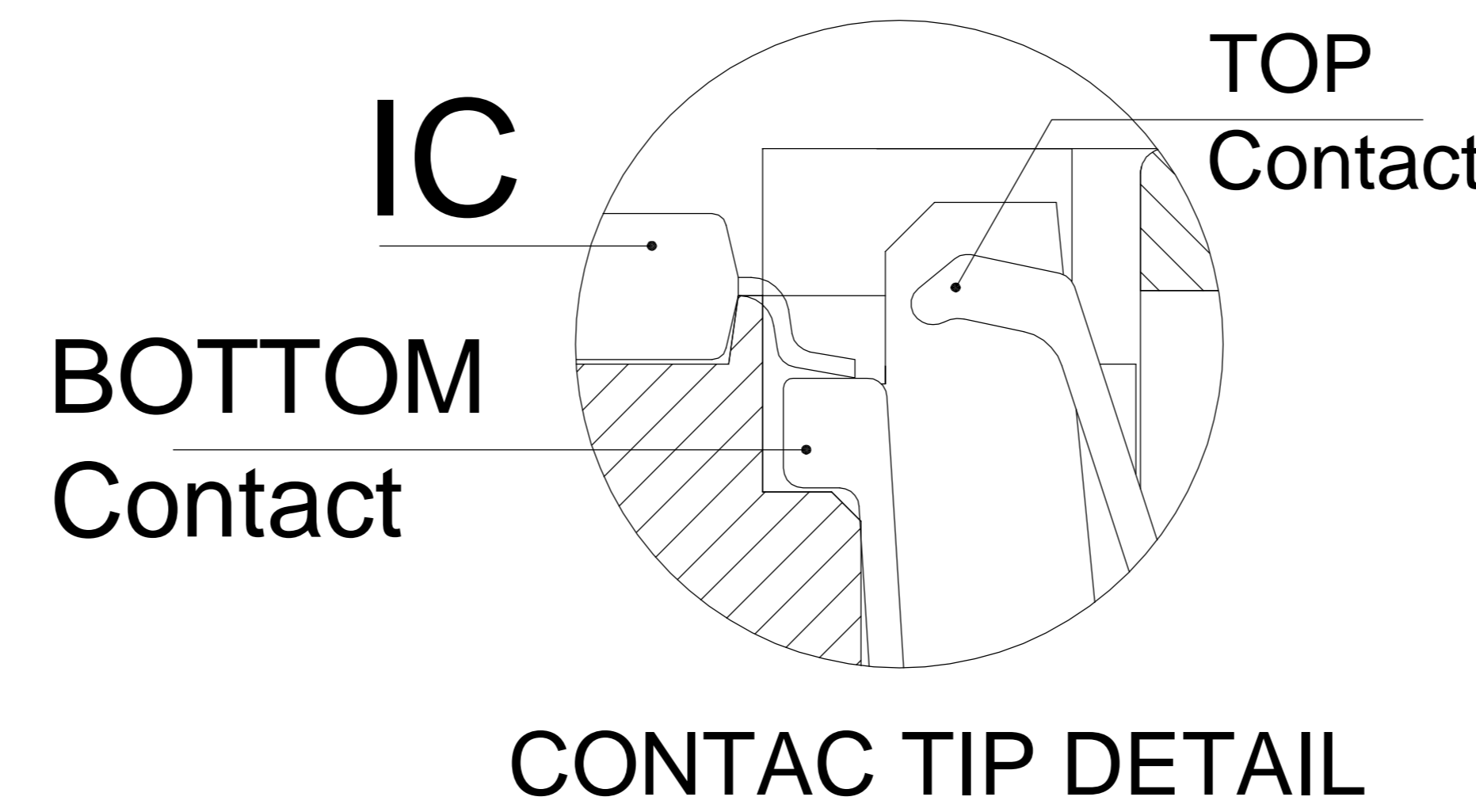
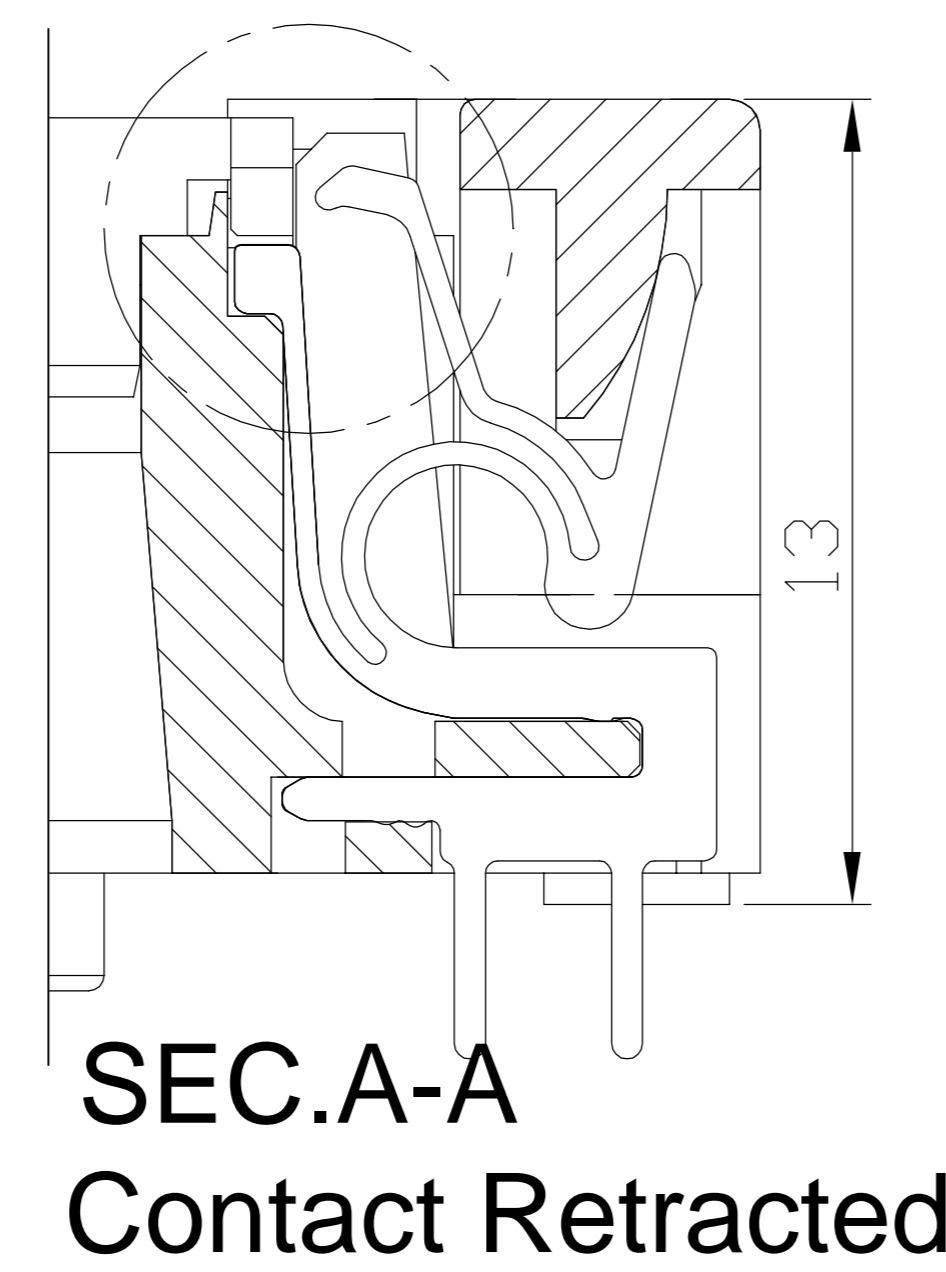
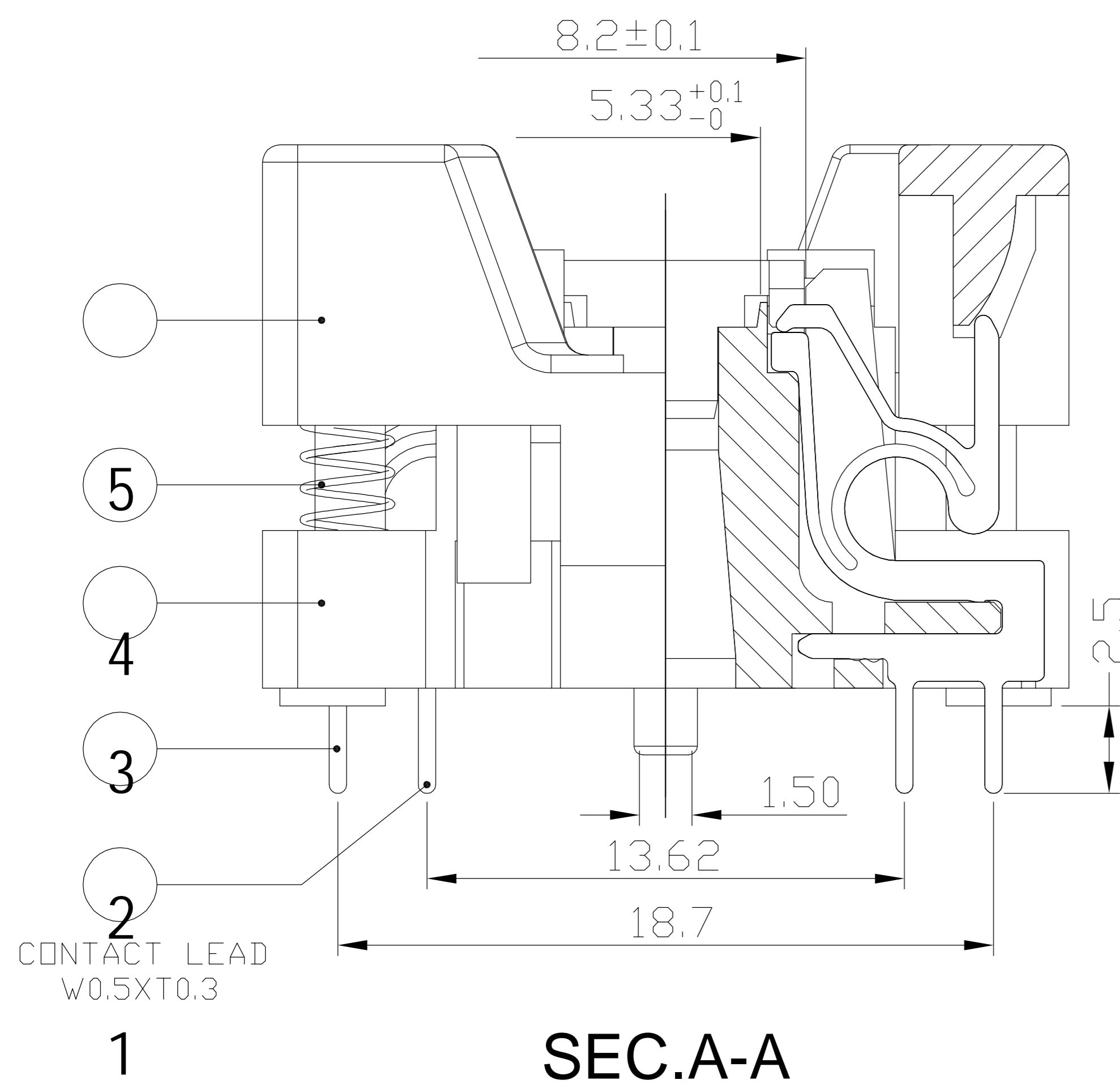
REVISION	DESCRIPTION	CHECK	APP	DATE	REV. NOTICE. NO
1					
2					
3					



PCB PATTERN (TOP VIEW)



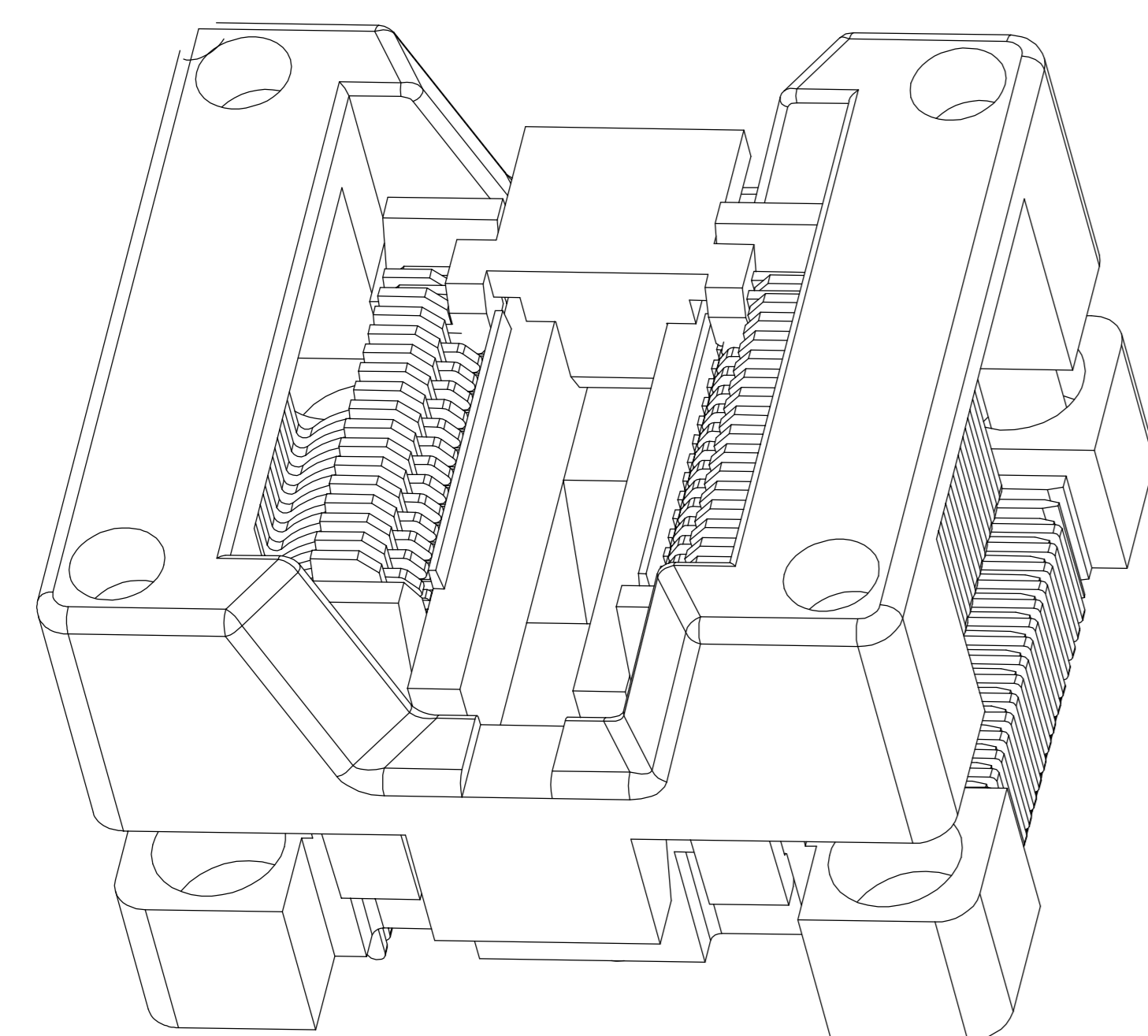
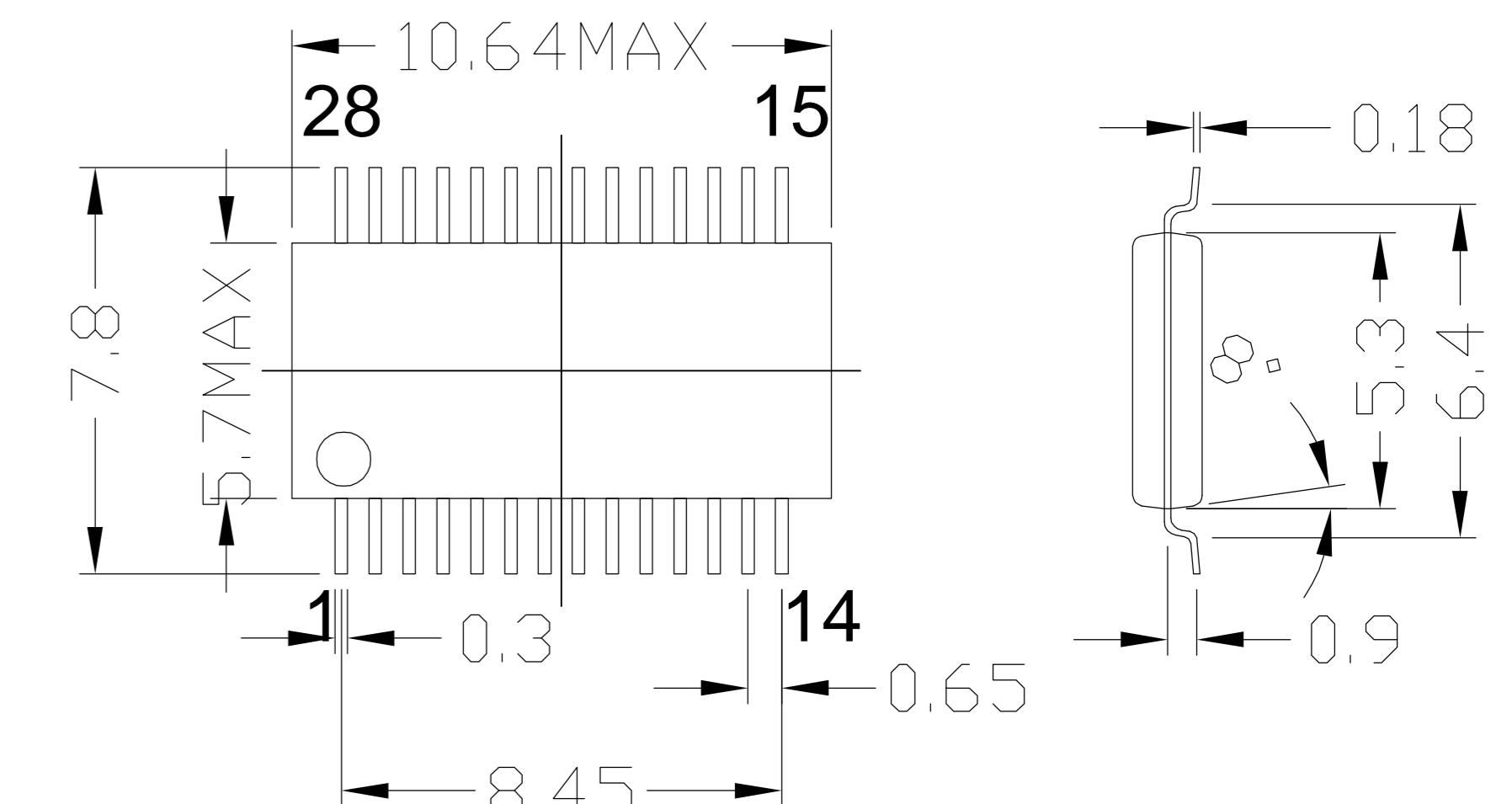
Insertion



PERFORMANCE

1. Insulation Resistance: 1000mΩ Min.At DC 500V
2. Dielectric Withstanding Voltage For 1 Minute At AC 700V
3. Contact Resistance 30mΩ MAX. at 10mA and 20mV MAX.(Initial)
4. Current Rating: 1A max.
5. Operation Temperature -55°C ~+175°C
6. Life Span 15,000 Times (Mechanical)
7. Operation Force 1.0 Kg MAX

APPLICABLE IC



No	Part Number	Name	Material	Q/ty	Note	TOLERANCE	PROJECTION	GENERAL TOLERANCES	REVISION	TITLE
6	SDP-34-U01-003	ADAPTER	PEI/PES	1	BLACK			±0.10		SOP34-0.65 SOCKET
5	SDP-34-U01-002	COVER	PEI/PES	1	BLACK					SOP28(34)-0.65-TP03NT
4	30-B-4515X	SPRING	SUS	4	FOR COVER	X. ± 0.50	DIMENSION: mm			SOP-24/28/30/34-0.65-L03
3	SDP-34-U01-001	BASE	PEI/PES	1	BLACK	X. X ± 0.25	APP:		DATE:	
2	SDP-34-MSBR-02	CONTACT	BeCu	14	Au PLATING	X. XX ± 0.10	CHECK:		DATE:	
1	SDP-34-MSBR-01	CONTACT	BeCu	14	Au PLATING	X. XXX ± 0.05	DEGK: ENG02		DATE: 20180125	